



650V

Frames 1, 2 and 3 (Software v5)

HA501306U001 Issue 1
Software Manual

aerospace
climate control
electromechanical
filtration
fluid & gas handling
hydraulics
pneumatics
process control
sealing & shielding



ENGINEERING YOUR SUCCESS.



650V AC Drive

Frames 1, 2 and 3

Software Product Manual

HA501306U001 Issue 1

Compatible with Version 5.2 (onwards) Software

2011 Parker SSD Drives, a division of Parker Hannifin Ltd.

All rights strictly reserved. No part of this document may be stored in a retrieval system, or transmitted in any form or by any means to persons not employed by a Parker SSD Drives company without written permission from Parker SSD Drives, a division of Parker Hannifin Ltd. Although every effort has been taken to ensure the accuracy of this document it may be necessary, without notice, to make amendments or correct omissions. Parker SSD Drives cannot accept responsibility for damage, injury, or expenses resulting therefrom.

WARRANTY

Parker SSD Drives warrants the goods against defects in design, materials and workmanship for the period of 24 months from the date of manufacture, or 12 months from the date of delivery (whichever is the longer period), on the terms detailed in Parker SSD Drives Standard Conditions of Sale IA500504.

Parker SSD Drives reserves the right to change the content and product specification without notice.

FAILURE OR IMPROPER SELECTION OR IMPROPER USE OF THE PRODUCTS DESCRIBED HEREIN OR RELATED ITEMS CAN CAUSE DEATH, PERSONAL INJURY AND PROPERTY DAMAGE.

This document and other information from Parker-Hannifin Corporation, its subsidiaries and authorized distributors provide product or system options for further investigation by users having technical expertise.

The user, through its own analysis and testing, is solely responsible for making the final selection of the system and components and assuring that all performance, endurance, maintenance, safety and warning requirements of the application are met. The user must analyze all aspects of the application, follow applicable industry standards, and follow the information concerning the product in the current product catalog and in any other materials provided from Parker or its subsidiaries or authorized distributors.

To the extent that Parker or its subsidiaries or authorized distributors provide component or system options based upon data or specifications provided by the user, the user is responsible for determining that such data and specifications are suitable and sufficient for all applications and reasonably foreseeable uses of the components or systems.



Safety Information

Requirements

IMPORTANT: Please read this information BEFORE installing the equipment.

Intended Users

This manual is to be made available to all persons who are required to install, configure or service equipment described herein, or any other associated operation.

The information given is intended to highlight safety issues, and to enable the user to obtain maximum benefit from the equipment.

Complete the following table for future reference detailing how the unit is to be installed and used.

INSTALLATION DETAILS	
Serial Number <i>(see product label)</i>	
Where installed <i>(for your own information)</i>	
Unit used as a: <i>(refer to Certification for the drive)</i>	<input type="checkbox"/> Component <input type="checkbox"/> Relevant Apparatus
Unit fitted:	<input type="checkbox"/> Wall-mounted <input type="checkbox"/> Enclosure

Application Area

The equipment described is intended for industrial motor speed control utilising AC induction or AC synchronous machines.

Personnel

Installation, operation and maintenance of the equipment should be carried out by qualified personnel. A qualified person is someone who is technically competent and familiar with all safety information and established safety practices; with the installation process, operation and maintenance of this equipment; and with all the hazards involved.

Product Warnings

 Caution Risk of electric shock	 Caution Refer to documentation	 Earth/Ground Protective Conductor Terminal
--	--	--



Safety Information

Hazards

1. This equipment can endanger life by exposure to rotating machinery and high voltages.
2. The equipment must be permanently earthed due to the high earth leakage current, and the drive motor must be connected to an appropriate safety earth.
3. Ensure all incoming supplies are isolated before working on the equipment. Be aware that there may be more than one supply connection to the drive.
4. There may still be dangerous voltages present at power terminals (motor output, supply input phases, DC bus and the brake, where fitted) when the motor is at standstill or is stopped.
5. For measurements use only a meter to IEC 61010 (CAT III or higher). Always begin using the highest range. CAT I and CAT II meters must not be used on this product.
6. Allow at least 5 minutes for the drive's capacitors to discharge to safe voltage levels (<50V). Use the specified meter capable of measuring up to 1000V dc & ac rms to confirm that less than 50V is present between all power terminals and earth.
7. Unless otherwise stated, this product must NOT be dismantled. In the event of a fault the drive must be returned. Refer to "Routine Maintenance and Repair".

WARNING! - Ignoring the following may result in injury or damage to equipment

SAFETY

Where there is conflict between EMC and Safety requirements, personnel safety shall always take precedence.

- Never perform high voltage resistance checks on the wiring without first disconnecting the drive from the circuit being tested.
- Whilst ensuring ventilation is sufficient, provide guarding and /or additional safety systems to prevent injury or damage to equipment.
- When replacing a drive in an application and before returning to use, it is essential that all user defined parameters for the product's operation are correctly installed.
- All control and signal terminals are SELV, i.e. protected by double insulation. Ensure all external wiring is rated for the highest system voltage.
- Thermal sensors contained within the motor must have at least basic insulation.
- All exposed metalwork in the Inverter is protected by basic insulation and bonded to a safety earth.
- RCDs are not recommended for use with this product but, where their use is mandatory, only Type B RCDs should be used.

EMC

- In a domestic environment this product may cause radio interference in which case supplementary mitigation measures may be required.
- This equipment contains electrostatic discharge (ESD) sensitive parts. Observe static control precautions when handling, installing and servicing this product.
- This is a product of the restricted sales distribution class according to IEC 61800-3. It is designated as "professional equipment" as defined in EN61000-3-2. Permission of the supply authority shall be obtained before connection to the low voltage supply.

CAUTION!

APPLICATION RISK

- The specifications, processes and circuitry described herein are for guidance only and may need to be adapted to the user's specific application. We can not guarantee the suitability of the equipment described in this Manual for individual applications.

RISK ASSESSMENT

Under fault conditions, power loss or unintended operating conditions, the drive may not operate as intended.

In particular:

- Stored energy might not discharge to safe levels as quickly as suggested, and can still be present even though the drive appears to be switched off
- The motor's direction of rotation might not be controlled
- The motor speed might not be controlled
- The motor might be energised

A drive is a component within a drive system that may influence its operation or effects under a fault condition.

Consideration must be given to:

- Stored energy
- Supply disconnects
- Sequencing logic
- Unintended operation

Contents

Contents

Page

CHAPTER 1

PROGRAMMING YOUR APPLICATION

1-1

Programming with Block Diagrams 1-1

Modifying a Block Diagram Over Comms 1-1

- Configuration and Parameterisation Modes 1-1
- Execution Rules 1-2
- Saving Your Modifications 1-2

Function Block Descriptions 1-3

Understanding the Function Block Description 1-3

Function Blocks by Category 1-4

Function Blocks in Alphabetical Order 1-5

- ANALOG INPUT 1-5
- ANALOG OUTPUT 1-7
- APP CONFIG 1-8
- APP CONFIG 1-8
- APP MENU 1-11
- AT LOAD 1-13
- AT SPEED 1-14
- AUTO RESTART 1-15
- AUTOTUNE 1-17
- BRAKE CONTROL 1-18
- COMMS CONTROL 1-19
- COMMS PORTS 1-20
- CURRENT LIMIT 1-22
- CURRENT LIMIT 1-22
- DEMULTIPLEXER 1-23
- DIGITAL INPUT 1-24
- DIGITAL INPUTS 1-25
- DIGITAL OUTPUT 1-26
- DIGITAL OUTPUTS 1-27
- DISPLAY/KEYPAD 1-28
- DISPLAY SCALE 1-29
- DYNAMIC BRAKING 1-31
- ENCODER 1-32
- ENERGY METER 1-33
- FEEDBACKS 1-34
- FLUXING 1-35
- FLYCATCHING 1-38
- INJ BRAKING 1-40
- INVERSE TIME 1-41
- INVERSE TIME 1-41

Contents

<i>Contents</i>	<i>Page</i>
• I/O TRIPS	1-42
• LOCAL CONTROL.....	1-43
• LOGIC FUNCTION	1-44
• MINIMUM SPEED	1-49
• MMI ACCESS	1-50
• MOTOR DATA.....	1-51
• MULTIPLEXER	1-53
• PATTERN GEN.....	1-54
• PID	1-55
• PID	1-55
• PRESET.....	1-57
• RAISE/LOWER	1-59
• REFERENCE.....	1-60
• REFERENCE JOG.....	1-63
• REFERENCE RAMP	1-64
• REFERENCE STOP.....	1-66
• SEQUENCING LOGIC.....	1-67
• SKIP FREQUENCIES	1-70
• SLEW RATE LIMIT	1-72
• SLIP COMP	1-73
• SPEED LOOP.....	1-74
• STABILISATION	1-76
• STALL TRIP.....	1-77
• TORQUE LIMIT	1-78
• TRIPS HISTORY	1-79
• TRIPS STATUS.....	1-80
• VALUE FUNCTION	1-83
• VOLTAGE CONTROL	1-91
• ZERO SPEED	1-92
• ZERO SPEED	1-92
Normal/Heavy Duty Selection	1-93

CHAPTER 2	PARAMETER SPECIFICATION	2-1
------------------	--------------------------------	------------

Specification Table: Tag Number Order.....	2-2
---	------------

MMI Parameters	2-21
-----------------------------	-------------

Pref Cross Reference Table	2-24
----------------------------------	------

Product-Related Default Values	2-26
---	-------------

* Frequency Dependent Defaults	2-26
--------------------------------------	------

** Power Dependent Defaults.....	2-27
----------------------------------	------

CHAPTER 3	SERIAL COMMUNICATIONS	3-1
------------------	------------------------------	------------

Contents

<i>Contents</i>	<i>Page</i>
Communications Technology Options.....	3-1
DSELite.....	3-1
Connection to the P3 Port	3-1
CHAPTER 4 SEQUENCING LOGIC STATES	4-1
Principle State Machine	4-1
Main Sequencing States.....	4-1
State Outputs of the SEQUENCING LOGIC Function Block	4-1
Transition of States.....	4-2
State Diagram	4-3
External Control of the Drive	4-4
Communications Command.....	4-4
• Example Commands	4-5
Communications Status	4-6
CHAPTER 5 APPLICATIONS	5-1
The Default Application	5-1
How to Load an Application	5-1
Application Description	5-1
Application 1: Basic Speed Control (default)	4
Application 2: Auto/Manual.....	6
Application 3: Preset Speeds.....	8
Application 4: Raise/Lower Trim.....	5
Application 5: PID	4
Application 6: Aux Comms	4

Chapter 1

PROGRAMMING YOUR APPLICATION

You can program the drive to your specific application. This programming simply involves changing parameter values. Access the parameters using the keypad, or DSE Lite (or other suitable programming tool).

Each Application recalls a pre-programmed set of default parameters and links when it is loaded.

Refer to Chapter 5: “Applications” for further information.

Programming with Block Diagrams

Block diagram programming provides a visual method of planning the software to suit your application. There are block diagrams provided at the end of this chapter, each showing the software connections for an Application. These pages replicate the DSE Lite programming screens. DSE Lite is SSD Drive’s own programming tool.

The processes performed by an Application are represented as a block diagram, consisting of *function blocks* and *links*:

- Each function block contains the parameters required for setting-up a particular processing feature. Sometimes more than one instance of a function block is provided for a feature, i.e. for multiple digital inputs.
- Software links are used to connect the function blocks. Each link transfers the value of an output parameter to an input parameter of another (or the same) function block.

Each individual block is a processing feature, i.e. it takes the input parameter, processes the information, and makes the result available as one or more output parameters.

Modifying a Block Diagram Over Comms

Configuration and Parameterisation Modes

There are two modes of operation used while modifying a block diagram: *Configuration* and *Parameterisation* modes.

Configuration Mode

In the Configuration Mode you can modify the links in the function block diagram. You can also change parameter values, as above. The drive cannot run in this mode.

When you attempt to change a parameter value requiring Configuration Mode to be enabled, the drive automatically enters Configuration Mode.

Once in Configuration Mode, to return to Parameterisation Mode simply press the **E** key repeatedly.

Parameterisation Mode

In parameterisation mode you can change parameter values. The drive can be running or stopped. Note that some parameters can only be changed when the drive is stopped. It is not possible to modify the internal links when the drive is in parameterisation

DEFAULT

mode.

1-2 Programming Your Application

Execution Rules

The complete block diagram is executed every 5ms. Just before a function block is executed, all the links that have that block as their destination are executed, thereby copying new values in to the block's parameter inputs. The input parameters are then processed to produce a new set of output parameters. The execution order of the blocks is automatically arranged for minimal delay.

- The output value transferred by a link on execution is clamped to be between the maximum and minimum value for its destination input parameter.
- Refer to the table below for the result of linking different parameter types.

Source Value (the input)	Source Type	Destination Type	Destination Value (the result)
TRUE	Boolean	Real	0.01
FALSE	Boolean	Real	0.00
≥ 0.005	Real	Boolean	TRUE
≤ 0.005	Real	Boolean	FALSE
LOCAL ONLY (1)	Enumerated	Real	1.00
2.00	Real	Enumerated	REMOTE ONLY (2) (Note that (2) will not always return Remote Only)

Table 1-1 Execution Rules

Saving Your Modifications

Whenever a value/link is changed, the modification is stored automatically and will be saved on power-down.

Function Block Descriptions

Note: To view all parameters available on the MMI, Full menu detail must be selected in the DETAILED MENUS parameter (ST99). Additional blocks/parameters are available over the Comms.

Understanding the Function Block Description

The following function blocks show the parameter information necessary for programming the drive.

Input parameters are shown on the left hand side, and output parameters are shown on the right hand side of the block.

The diagrams assume that the UK country code is selected and that a 400V 11kW Frame C power board is fitted. This is reflected in the values of certain parameters, see “*” and “**” in the table below.

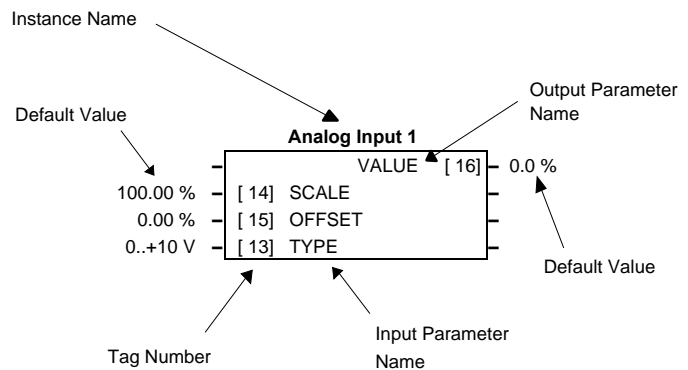


Figure Chapter 1 -1 Function Block Parameter Information

Instance Name	Names the function block and MMI menu
Default Value	The default value of the unmodified macro, Macro 0
Input/Output Parameter Name	The name shown on DSE Lite
Tag Number	Unique identification used for communications
*	Parameters marked with “*” are set to a value depending upon the “operating frequency” of the drive. Refer to Chapter 2: “Parameter Specification” - Frequency Dependent Defaults; and the Installation Product Manual, Chapter 5: “The Operator Station” - Changing the Product Code (3-button reset).
**	Parameters marked with “**” are set to a value depending on the overall “power build” of the drive indicated by the product code. Refer to Chapter 2: “Parameter Specification” - Power Dependent Defaults; and the Installation Product Manual: Chapter 2: “Understanding the Product Code”.

Note: The “Range” for a parameter value is given in the Parameter Description Table on each Function Block page. Ranges for outputs are given as “—.xx %”, for example, indicating an indeterminate integer for the value, to two decimal places.

F	Parameters indicated with F are visible with Full menus only. Refer to the DETAILED MENUS parameter (ST 99) in the MMI ACCESS function block, page 1-50.
M	Parameters indicated with M are Motor Parameters. They are not reset by changing Application using parameter ^P 1; all other parameters are reset to default values.
VF	Parameters indicated with VF are only visible when the drive is in VF (Volts/Hz) motor control mode, as selected by parameter ^S CL01.
SV	Parameters indicated with SV are only visible when the drive is in SV (Sensorless Vector) motor control mode, as selected by parameter ^S CL01.

1-4 Programming Your Application

Function Blocks by Category

The function block descriptions in this chapter are arranged in alphabetical order, however, they are listed below by Category.

Communications

COMMS PORTS 1-20

Configuration

APP CONFIG 1-8

Encoder Functions

ENCODER 1-32

Hoist/Lift

BRAKE CONTROL 1-18

Inputs/Outputs

ANALOG INPUT	1-5	DIGITAL INPUT	1-24
ANALOG OUTPUT	1-7	DIGITAL INPUTS	1-25
		DIGITAL OUTPUT	1-26
		DIGITAL OUTPUTS	1-27

Menus

APP MENU	1-11	MMI ACCESS	1-50
----------	------	------------	------

Miscellaneous

DEMULTIPLEXER	1-23	MULTIPLEXER	1-53
LOGIC FUNCTION	1-44	VALUE FUNCTION	1-83

Motor Control

AUTOTUNE	1-17	INVERSE TIME	1-41
CURRENT LIMIT	1-22	MOTOR DATA	1-50
DISPLAY/KEYPAD	1-28	PATTERN GEN	1-54
DISPLAY SCALE	1-29	SLEW RATE LIMIT	1-72
ENERGY METER	1-33	SLIP COMP	1-73
FEEDBACKS	1-34	SPEED LOOP	1-74
FLUXING	1-35	STABILISATION	1-76
FLYCATCHING	1-38	TORQUE LIMIT	1-78
INJ BRAKING	1-40	VOLTAGE CONTROL	1-91

Sequencing and Referencing

AUTO RESTART	1-15	REFERENCE JOG	1-63
COMMS CONTROL	1-19	REFERENCE RAMP	1-64
LOCAL CONTROL	1-43	REFERENCE STOP	1-66
REFERENCE	1-60	SEQUENCING LOGIC	1-67

Setpoint Functions

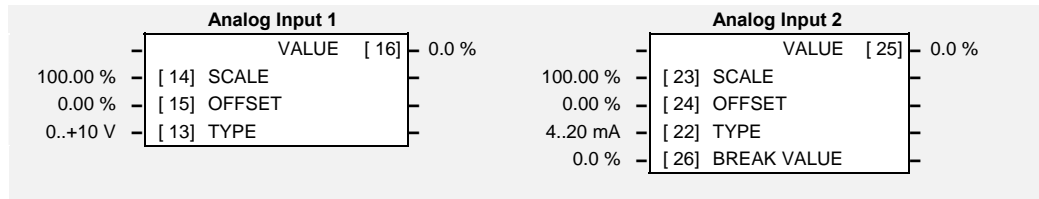
AT LOAD	1-13	PRESET	1-57
AT SPEED	1-14	RAISE/LOWER	1-59
MINIMUM SPEED	1-49	SKIP FREQUENCIES	1-70
PID	1-55	ZERO SPEED	1-92

Trips

I/O TRIPS	1-42	TRIPS HISTORY	1-79
STALL TRIP	1-77	TRIPS STATUS	1-80

Function Blocks in Alphabetical Order

ANALOG INPUT



The analog input block converts the input voltage or current into a value expressed as a percentage of a configurable range.

Parameter Descriptions

SCALE *SET/IN IP11 & IP21* *Range: -300.00 to 300.00 %*

A scaling factor applied to the raw input. With a scaling factor of 100.00% and an offset of 0.00%, an input equal to the low input range will appear as a value of 0.00%. Similarly, an input equal to the high input range will appear as a value of 100.00%.

OFFSET *SET/IN IP12 & IP22* *Range: -300.00 to 300.00 %*

An offset added to the input after the scaling factor has been applied.

TYPE *SET/IN IP13 & IP23* *Range: Enumerated - see below*

The input range and type.

ANALOG INPUT 1 supports Types 0 and 1 only. ANALOG INPUT 2 support all types.

Enumerated Value : Type

- 0 : 0..+10 V
- 1 : 0..+5 V
- 2 : 0..20 mA
- 3 : 4..20 mA

BREAK VALUE *Range: -100.0 to 100.0 %*

The value that will appear as the VALUE output when BREAK is TRUE

VALUE *SET/IN IPA1 & IPA2* *Range: —.x %*

The input reading with scaling and offset applied.

1-6 Programming Your Application

Functional Description

The drive has two analog inputs. There is an analog input function block for each:

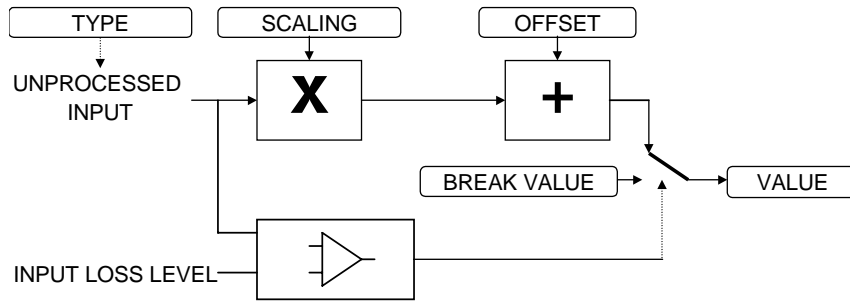
ANALOG INPUT 1 is associated with the signal on terminal 2

ANALOG INPUT 2 is associated with the signal on terminal 3

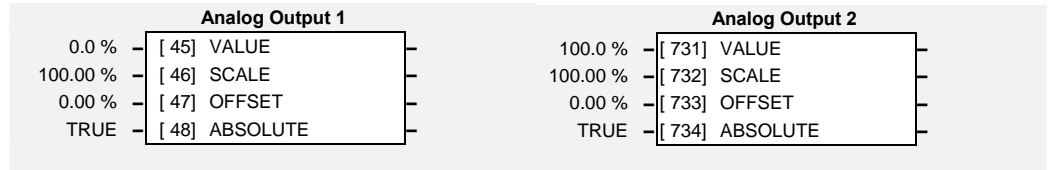
The input voltage is pre-processed and converted into a numeric value by the analog input electronics of the drive. The analog input function blocks further process this reading so that a value of 0.00% represents an input equal to the low input range, while a value of 100.00% represents an input equal to the high input range. The SCALE and OFFSET factors are then applied as shown to produce a value suitable for use in the application.

The break detect facility is only used in conjunction with the "4 to 20mA" hardware range. An input break is defined as an input reading less than either 0.1V or 0.45mA. When an input break has been detected, the VALUE output is forced to be the BREAK VALUE.

If you don't want the break detect facility, select the "0 to 20mA". You can also apply OFFSET to recreate the "4 to 20mA" hardware range.



ANALOG OUTPUT



The analog output block convert the demand percentage into a form suitable for driving the analog output electronics of the drive.

Parameter Descriptions

VALUE *DIAG OPA1 & A2* *Range: -300.0 to 300.0 %*

The demanded value to output.

SCALE *SET/OUT OP11 & 12* *Range: -300.00 to 300.00 %*

A scaling factor to apply to VALUE . A scaling factor of 100.00% has no effect.

OFFSET *SET/OUT OP12 & 22* *Range: -300.00 to 300.00 %*

An offset added to VALUE after the scaling factor has been applied. An offset factor of 0.00% has no effect.

ABS *SET/OUT OP13 & 23* *Range: FALSE / TRUE*

When TRUE the output sign is ignored.

Functional Description

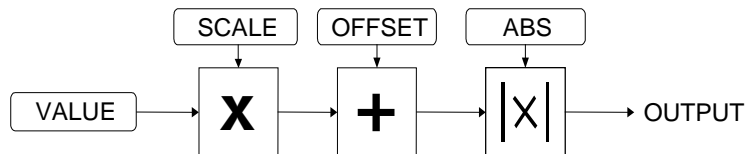
The drive has two analog outputs:

ANALOG OUTPUT 1 is associated with terminal 5
 ANALOG OUTPUT 2 is associated with terminal 4

The scaling and offset parameters are applied to the demand value as shown.

If ABS is TRUE then the final output is the magnitude of value after being scaled and offset and the output sign is ignored

If ABS is FALSE then as above, except that the output sign is valid.



1-8 Programming Your Application

APP CONFIG

This block controls the selection of user application and of the output wiring

App Config		
STANDARD	- [1091]	APPLICATION
DEMAND	- [1092]	ANOUT 1 SOURCE
NONE	- [1109]	ANOUT 2 SOURCE
HEALTH	- [1093]	RELAY SOURCE
NONE	- [1094]	DIGIO2 SOURCE
NONE	- [1016]	DIGIO1 SOURCE
FALSE	- [1064]	APP LOCK
RUN FORWARD	- [310]	DIGIN 1 DEST
REMOTE REVERSE	- [311]	DIGIN 2 DEST
JOG	- [312]	DIGIN 3 DEST
NOT STOP	- [313]	DIGIN 4 DEST
COAST STOP	- [314]	DIGIN 5 DEST
NONE	- [315]	DIGIN 6 DEST
NONE	- [316]	DIGIN 7 DEST

Parameter Descriptions

APPLICATION *PAR1* *Range: Enumerated - see below*

This parameter selects and loads the Application to be used. APP 0 will not control a motor. APP 7 & 8 are for future use. You can edit an Application in DSE Lite and, then set this parameter to CUSTOM to produce your own custom Application.

Refer to Chapter 5: "Applications" which gives detailed information about each Application.

- 0 : NULL
- 1 : STANDARD
- 2 : LOCAL/REM (AUTO/MANUAL)
- 3 : PRESETS
- 4 : RAISE/LOWER
- 5 : PID
- 6 : AUXILLARY COMMS
- 7 : APP 7
- 8 : APP 8
- 9 : CUSTOM

ANOUT 1 SOURCE *SET/CONF AOP1* *Range: Enumerated - see below*

This parameter is ignored if APPLICATION is set to CUSTOM.

The source of the analog output, terminal 5. An internal link is made to one of the following parameters:

- 0 : NONE *No link is made*
- 1 : DEMAND *SPEED DEMAND in the REFERENCE block*
- 2 : CURRENT *MOTOR CURRENT% in the FEEDBACKS block*
- 3 : PID ERROR *ERROR in the PID Block*
- 4 : R/L OUTPUT *OUTPUT in the RAISE/LOWER block*

ANOUT 2 SOURCE *SET/CONF AOP2* *Range: Enumerated - see below*

This parameter is ignored if APPLICATION is set to CUSTOM.

The source of the analog output, terminal 4. An internal link is made to one of the following parameters:

- 0 : NONE *No link is made*
- 1 : DEMAND *SPEED DEMAND in the REFERENCE block*
- 2 : CURRENT *MOTOR CURRENT% in the FEEDBACKS block*
- 3 : PID ERROR *ERROR in the PID Block*
- 4 : R/L OUTPUT *OUTPUT in the RAISE/LOWER block*

Parameter Descriptions

RELAY SOURCE *SET\CONF DOP3* *Range: Enumerated - see below*

This parameter is ignored if APPLICATION is set to CUSTOM.

The source of the relay output, terminals RL1A and RL1B. An internal link is made to one of the following parameters:

0 : NONE	<i>No link is made</i>
1 : HEALTH	<i>HEALTHY in the SEQ LOGIC block</i>
2 : TRIPPED	<i>TRIPPED in the SEQ LOGIC block</i>
3 : RUNNING	<i>RUNNING in the SEQ LOGIC block</i>
4 : AT ZERO	<i>AT ZERO SPD in the ZERO SPEED block</i>
5 : AT SPEED	<i>AT SPEED in the AT SPEED block</i>
6 : AT LOAD	<i>AT OR ABOVE LOAD in the AT LOAD block</i>
7 : READY	<i>Waiting for contactor to be closed</i>

DIGIO2 SOURCE *SET\CONF DOP2* *Range: Enumerated - see below*

This parameter is ignored if APPLICATION is set to CUSTOM.

The source of the digital output 2, terminal 10. An internal link is made to one of the following parameters:


0 : NONE	<i>No link is made</i>
1 : HEALTH	<i>HEALTHY in the SEQ LOGIC block</i>
2 : TRIPPED	<i>TRIPPED in the SEQ LOGIC block</i>
3 : RUNNING	<i>RUNNING in the SEQ LOGIC block</i>
4 : AT ZERO	<i>AT ZERO SPD in the ZERO SPEED block</i>
5 : AT SPEED	<i>AT SPEED in the AT SPEED block</i>
6 : AT LOAD	<i>AT OR ABOVE LOAD in the AT LOAD block</i>
7 : READY	<i>Waiting for contactor to be closed</i>

DIGIO1 SOURCE *SET\CONF DOPD1* *Range: Enumerated - see below*

This parameter is ignored if APPLICATION is set to CUSTOM.

The source of the digital output 1, terminal 9. An internal link is made to one of the following parameters:

0 : NONE	<i>No link is made</i>
1 : HEALTH	<i>HEALTHY in the SEQ LOGIC block</i>
2 : TRIPPED	<i>TRIPPED in the SEQ LOGIC block</i>
3 : RUNNING	<i>RUNNING in the SEQ LOGIC block</i>
4 : AT ZERO	<i>AT ZERO SPD in the ZERO SPEED block</i>
5 : AT SPEED	<i>AT SPEED in the AT SPEED block</i>
6 : AT LOAD	<i>AT OR ABOVE LOAD in the AT LOAD block</i>
7 : READY	<i>Waiting for contactor to be closed</i>

APP LOCK  *SET\SETP ST98* *Range: FALSE / TRUE*

Set this parameter to TRUE to prevent the APPLICATION parameter from being edited.

DIGIN 1 DEST *SET\CONF DIN1* *Range: Enumerated – see below*

This parameter is ignored if APPLICATION is set to CUSTOM.

0 : NONE
1 : RUN FORWARD
2 : RUN REVERSE
3 : NOT STOP
4 : JOG
5 : CONTACTOR CLOSED
6 : DRIVE ENABLE
7 : NOT FAST STOP
8 : NOT COAST STOP
9 : REMOTE REVERSE
10 : REM TRIP RESET
11 : RAISE INPUT

1-10 Programming Your Application

Parameter Descriptions

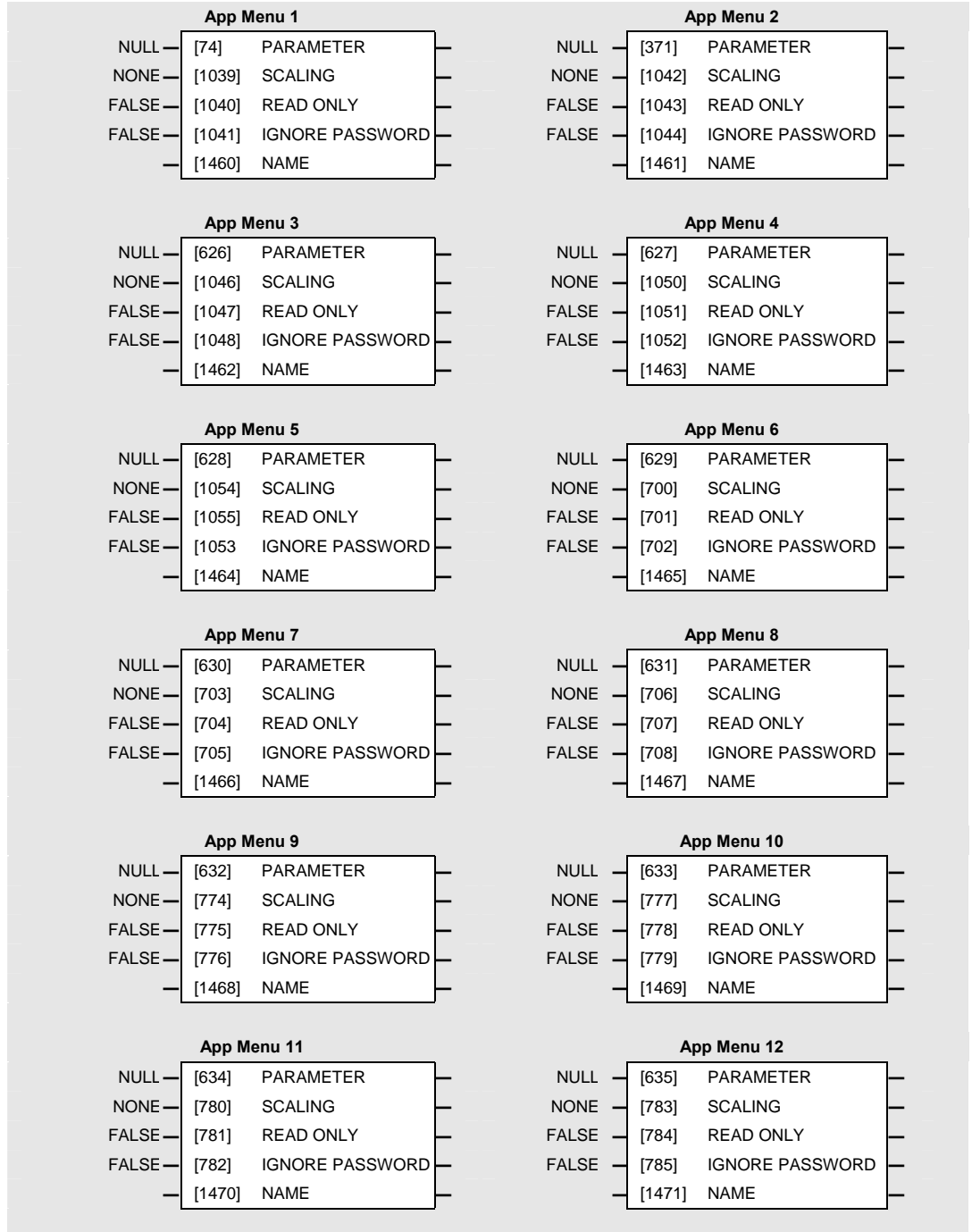
12 : LOWER INPUT
13 : RL RESET
14 : PID ENABLE
15 : VALUE 1 INPUT A
16 : VALUE 1 INPUT B
17 : VALUE 1 INPUT C
18 : VALUE 2 INPUT A
19 : VALUE 2 INPUT B
20 : VALUE 2 INPUT C
21 : VALUE 3 INPUT C
22 : VALUE 4 INPUT C
23 : LOGIC 1 INPUT A
24 : LOGIC 1 INPUT B
25 : LOGIC 1 INPUT C
26 : LOGIC 3 INPUT A
27 : LOGIC 3 INPUT B
28 : LOGIC 3 INPUT C

DIGIN 2 DEST	<i>SET\CONF DIN2</i>	<i>Range: Enumerated – see DIGIN 1 DEST</i>
DIGIN 3 DEST	<i>SET\CONF DIN3</i>	<i>Range: Enumerated – see DIGIN 1 DEST</i>
DIGIN 4 DEST	<i>SET\CONF DIN4</i>	<i>Range: Enumerated – see DIGIN 1 DEST</i>
DIGIN 5 DEST	<i>SET\CONF DIN5</i>	<i>Range: Enumerated – see DIGIN 1 DEST</i>
DIGIN 6 DEST	<i>SET\CONF DIN6</i>	<i>Range: Enumerated – see DIGIN 1 DEST</i>
DIGIN 7 DEST	<i>SET\CONF DIN7</i>	<i>Range: Enumerated – see DIGIN 1 DEST</i>

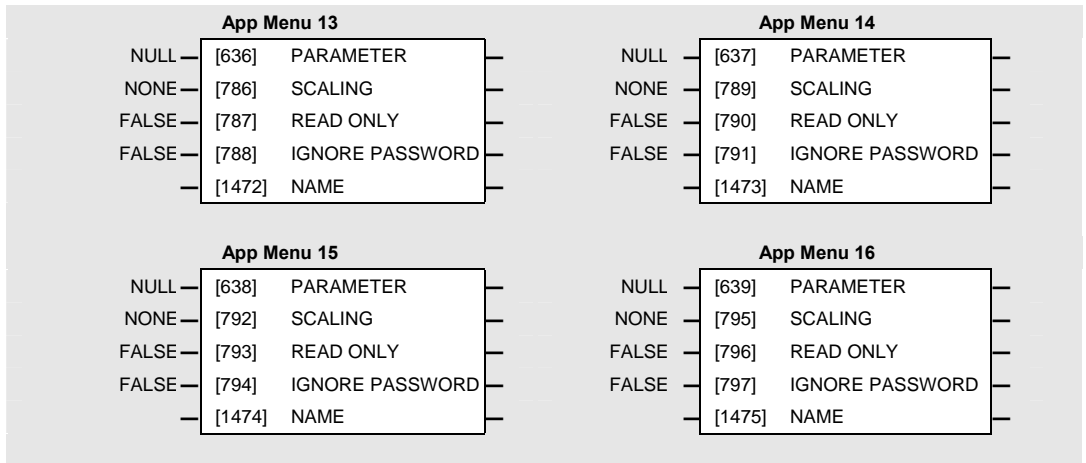
APP MENU

These function blocks are used to configure the Application menu. This feature provides quick access to frequently used parameters. Any parameter may be “promoted” to the Application menu, and the parameter is then automatically saved on power-down.

In addition, parameters displayed in the Operator menu may be given a different name, and may be rescaled for display using the DISPLAY SCALE function blocks.



1-12 Programming Your Application



Parameter Descriptions

PARAMETER

Range: 0 to 1686

Enter the parameter to be displayed in the APP MENU. The parameter may be selected by first choosing the block that the parameter is within, then choosing the parameter itself.

NAME

Range: 16 characters maximum

The NAME parameter is only shown when the drive is used with the 6901 operator station. When the standard 650 operator station is used, (the 6511 or 6512) then the entries in the APP MENU are simply numbered AP1 to AP16.

SCALING

Range: See below

Selects a DISPLAY SCALE function block to be applied to the value of PARAMETER.

Enumerated Value : DISPLAY SCALE function block

- 0 : NONE
- 1 : DISPLAY SCALE 1
- 2 : DISPLAY SCALE 2

READ ONLY

Range: FALSE / TRUE

When TRUE, this entry in the APP MENU will not be adjustable.

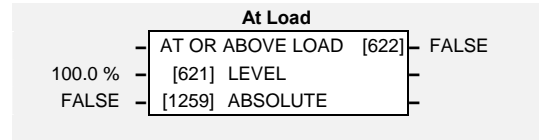
IGNORE PASSWORD

Range: FALSE / TRUE

When TRUE, this entry in the APP MENU may be adjusted regardless of the password protection feature.

AT LOAD

This function block is used to generate the AT OR ABOVE LOAD signal that may be used as a digital output (refer to the APP CONFIG block).



If operating as an open-loop drive (V/F fluxing) it is important to enter the no-load current at rated speed in to the MAG CURRENT parameter (^SCL14 - MOTOR DATA function block), otherwise the LEVEL from this block could be inaccurate.

Parameter Descriptions

LEVEL

SET\SETP ST42

Range: -300.0 to 300.0 %

This parameter sets the value of load at which the AT OR ABOVE LOAD parameter becomes TRUE. 100% = rated torque for the motor.

ABSOLUTE

SET\SETP ST43

Range: FALSE / TRUE

When TRUE, the direction of rotation is ignored. In this case, the comparison level should always be positive.

When FALSE, the direction of rotation is not ignored. Driving a load in the reverse direction gives a negative value for torque. In this case, the comparison level may be positive or negative.

AT OR ABOVE LOAD

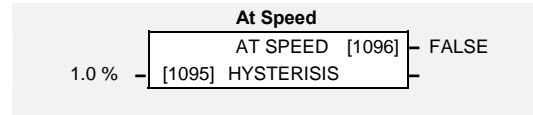
Range: FALSE / TRUE

This parameter is TRUE if the load is equal to or above the value set by the LEVEL parameter.

1-14 Programming Your Application

AT SPEED

This function block is used to generate the AT SPEED signal that may be used as a digital output (refer to the APP CONFIG block).



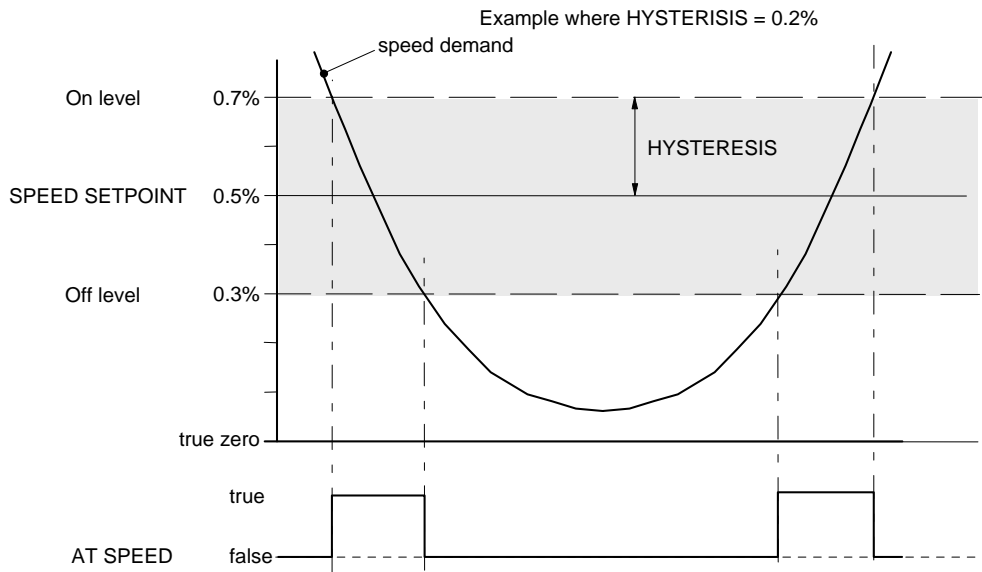
Parameter Descriptions

HYSTERESIS

Range: 0.0 to 300.0 %

Provides a hysteresis band about the Speed Setpoint in which the AT SPEED output is stable.

The Speed Setpoint is shown by the Speed Setpoint (%) diagnostic in the Diagnostics menu, which is shown as a percentage of the MAX SPEED parameter (Hz).



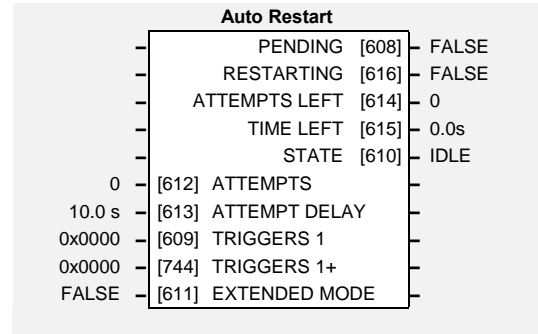
AT SPEED

Range: FALSE / TRUE

This parameter is TRUE when the speed demand is within the hysteresis band, as shown above, otherwise it is FALSE.

AUTO RESTART

Auto Restart (or Auto Reset) provides the facility to automatically reset a choice of trip events and restart the drive with a programmed number of attempts, after which, a manual or remote trip reset is required if the drive is not successfully restarted. The number of attempted restarts is recorded. This count is cleared after a trip-free period of operation, (5 minutes or 4 x ATTEMPT DELAY 1, whichever is the longer), or after a successful manual or remote trip reset, or by removing the Run signal.



In addition, if EXTENDED MODE is TRUE, then the Auto Restart feature will also operate when the drive is not running.

Parameter Descriptions

ATTEMPTS *SET\SETP ST21*

Range: 1 to 10

Determines the number of restarts that will be permitted before requiring an external fault reset.

ATTEMPT DELAY 1 *SET\SETP ST22*

Range: 0.0 to 600.0 s

Determines the delay between restart attempts for a trip included in TRIGGERS 1. The delay is measured from all error conditions clearing.

TRIGGERS 1 and TRIGGERS+ 1 *SET\SETP ST23 and SET\SETP ST24*

Range: 0000 to FFFF

Allows Auto Restart to be enabled for a selection of trip conditions.

Refer to TRIPS STATUS, page 1-80 for an explanation of the four-digit codes.

EXTENDED MODE

Range: FALSE / TRUE

When FALSE, the block functions as in earlier versions of firmware.

When TRUE, the auto-restart feature operates to reset a trip even when the run signal is removed.

WARNING: When EXTENDED MODE is active and the RUN input goes TRUE after a trip occurs, *the drive will start* when the trip is automatically reset if the POWER UP START parameter in the SEQUENCING LOGIC block is TRUE.

PENDING

Range: FALSE / TRUE

Indicates that an auto restart will occur after the programmed delay.

RESTARTING

Range: FALSE / TRUE

Indicates that an auto restart is occurring. TRUE for a single block diagram execution cycle.

ATTEMPTS LEFT

Range: —.

Indicates the number of attempts left before an external fault reset is required.

TIME LEFT

Range: —.x s

When in the Restarting state, this parameter indicates the time left before an auto restart attempt will be permitted. When non-zero, this value is unaffected by changes to ATTEMPT DELAY 1.

1-16 Programming Your Application

STATE

Range: Enumerated (see below)

Enumerated Value : Mode

- 0 : DISABLED
- 1 : IDLE
- 2 : ARMED
- 3 : TIMING
- 4 : LOCKED

DISABLED: The auto restart function is disabled by setting the number of attempts allowed to zero.

IDLE: The idle state.

ARMED: The auto restart function has detected a relevant trip has occurred. A restart will be attempted once the trip source becomes inactive.

TIMING: When non-zero this parameter indicates the time until a restart will be attempted.

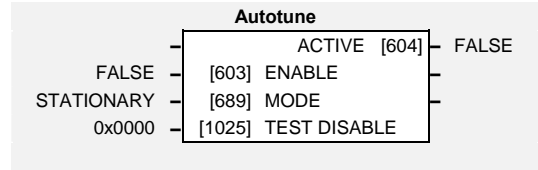
LOCKED: The auto restart function is temporarily disabled due to the number of restarts reaching the restart attempts count.

AUTOTUNE

Designed for SENSORLESS VEC Motor Control Mode.

The Autotune is an automatic test sequence performed by the drive to identify motor model parameters. The motor model is used by the Sensorless Vector control mode. You **MUST** perform an Autotune before operating the drive in the Sensorless Vector control mode.

Refer to the Installation Product Manual, Chapter 4: “Operating the Drive” - Set-up using the Sensorless Vector Fluxing Mode.



Parameter Descriptions

ENABLE

SV SET\CTRL CL21

Range: FALSE / TRUE

Determines whether the Autotune sequence is operational or not. The Autotune sequence is operational when set to TRUE and the drive is run. Refer to the Installation Product Manual, Chapter 4: “Operating the Drive” - The Autotune Feature.

MODE

SV SET\CTRL CL20

Range: Enumerated - see below

Selects the Autotune operating mode. Refer to the Installation Product Manual, Chapter 4: “Operating the Drive” – The Autotune Feature.

Enumerated Value : Mode

0 : STATIONARY

1 : ROTATING

ACTIVE

Range: FALSE / TRUE

This indicates the current state of the Autotune sequence. The Autotune sequence is operational when displaying TRUE.

TEST DISABLE

Range: 0000 to FFFF

This allows individual Autotune tests to be disabled. The values corresponding to disabled tests are shown below.

Value	Disabled Tests
0000	None
0001	Stator Resistance
0002	Leakage Inductance
0003	Stator Resistance and Leakage Inductance
0004	Magnetising Current
0005	Stator Resistance and Magnetising Current
0006	Leakage Inductance and Magnetising Current
0007	All tests

Functional Description

The Autotune sequence identifies the following motor parameters:-

- Per-phase stator resistance (STATOR RES)
- Per-phase leakage inductance (LEAKAGE INDUC)
- Per-phase mutual inductance (MUTUAL INDUC)
- Rotor time constant (ROTOR TIME CONST)
- No-load magnetising line current (MAG CURRENT)

The Rotating Autotune sequence rotates the motor up to the user-programmed MAX SPEED (REFERENCE function block) in order to identify these parameters.

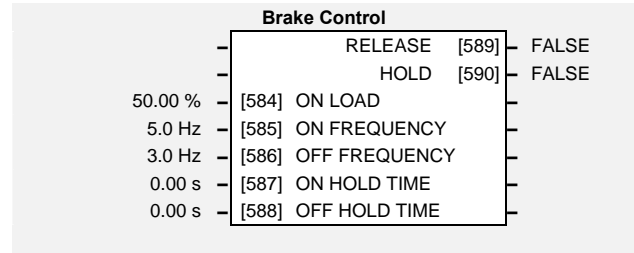
The Stationary Autotune sequence does not rotate the motor and requires the correct value of Magnetising Current to be entered.

The values of the above are stored in the MOTOR DATA function block. Autotune will overwrite any previous entry made for these parameters. Autotune can only be initiated from the “stopped” condition. When the test is complete, the stack is disabled and ENABLE is set to FALSE.

1-18 Programming Your Application

BRAKE CONTROL

This is used to control electro-mechanical motor brakes in hoist and lift applications.



Parameter Descriptions

ON LOAD

Range: 0.00 to 150.00 %

Load level at which the external motor brake is released.

ON FREQUENCY

Range: 0.0 to 500.0 Hz

The output electrical frequency at which the external motor brake is released.

OFF FREQUENCY

Range: 0.0 to 500.0 Hz

The output electrical frequency at which the external motor brake is applied.

ON HOLD TIME

Range: 0.00 to 60.00 s

Sets the duration of the pulse output on HOLD when RELEASE becomes TRUE.

OFF HOLD TIME

Range: 0.00 to 60.00 s

Sets the duration of the pulse output on HOLD when RELEASE becomes FALSE.

RELEASE

Range: FALSE/ TRUE

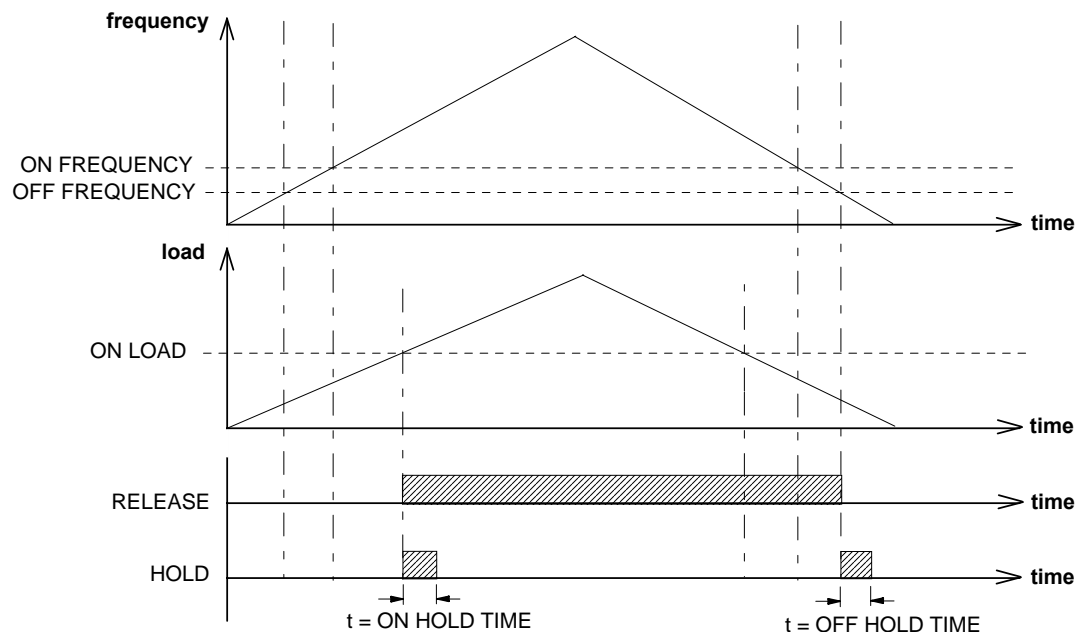
Boolean output providing a signal to operate the brake delay. Note RELEASE is forced FALSE if the drive is not in Run mode, or if Autotune, Flycatching or Injection Braking are active.

HOLD

Range: FALSE / TRUE

Becomes TRUE when the brake is toggled On or Off by the function block, and remains TRUE for the duration set by OFF HOLD TIME or ON HOLD TIME.

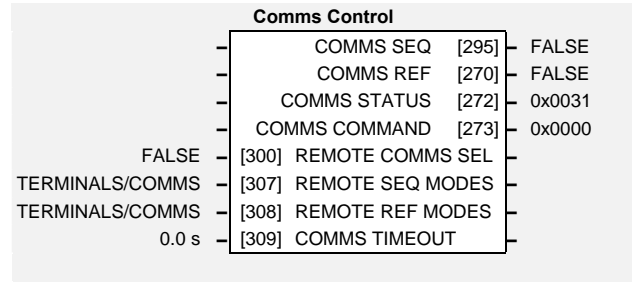
Functional Description



COMMS CONTROL

This block switches between Remote Terminal and Remote Comms operating modes.

The drive must be in Remote mode for selection to be made - REMOTE mode is enabled in the LOCAL CONTROL function block (REF MODES) and selected by the keypad. Refer to the outputs of the LOCAL CONTROL function block for the mode in use.



Parameter Descriptions

REMOTE COMMS SEL SET\SERL SE01 *Range: FALSE / TRUE*

Selects the type of remote communications mode:

0 : FALSE, and in REMOTE mode then control is from the terminals.

1 : TRUE, and in REMOTE mode then control is from the communications.

REMOTE SEQ MODES *Range: Enumerated - see below*

Selects the type of remote sequencing mode:

Enumerated Value : Mode

0 : TERMINALS/COMMS

1 : TERMINALS ONLY

2 : COMMS ONLY

REMOTE REF MODES *Range: Enumerated - see below*

Selects the type of remote reference mode:

Enumerated Value : Mode

0 : TERMINALS/COMMS

1 : TERMINALS ONLY

2 : COMMS ONLY

COMMS TIMEOUT SET\SERL SE02 *Range: 0.0 to 600.0 s*

Sets the maximum time allowed between refreshing the COMMS COMMAND parameter. The drive will trip if this time is exceeded. Set the time to 0.00 seconds to disable this feature.

COMMS SEQ *Range: FALSE / TRUE*

Diagnostic indicating if operating in Remote Sequencing Comms Mode.

If FALSE (0), the drive may be in Local Sequencing mode or Remote Sequencing Terminal mode.

COMMS REF *Range: FALSE / TRUE*

Diagnostic indicating if operating in Remote Reference Comms Mode.

If FALSE (0), the drive may be in Local Reference mode or Remote Reference Terminal mode.

COMMS STATUS *Range: 0000 to FFFF*

Diagnostic showing the 16-bit Status word as seen by the communications.

Refer to Chapter 4: "Sequencing Logic".

COMMS COMMAND *Range: 0000 to FFFF*

Diagnostic showing the 16-bit Command as written by the communications.

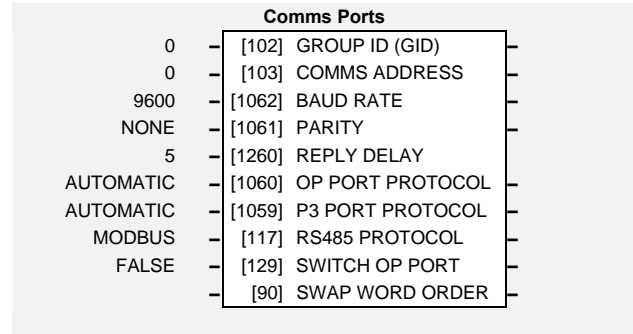
Refer to Chapter 4: "Sequencing Logic".

1-20 Programming Your Application

COMMS PORTS

This function block configures the programming ports that allow connection to the keypad, or to a personal computer.

The parameters below are used to identify the drive to the controlling software for drive configuration and storage of parameters.



Parameter Descriptions

GROUP ID (GID)

Range: 0 to 7

The SSD Drives protocol group identity address.

COMMS ADDRESS

SET\SERL SE03

Range: 0 to 255

The SSD Drives protocol unit identity address or the Modbus node address.

Note: if set to 0, the drive will only respond to broadcast messages.

BAUD RATE

SET\SERL SE04

Range: Enumerated - see below

Selects the Baud Rate for the MODBUS protocol.

Enumerated Value : Baud Rate

- 0 : 1200
- 1 : 2400
- 2 : 4800
- 3 : 7200
- 4 : 9600
- 5 : 14400
- 6 : 19200
- 7 : 38400
- 8 : 57600

PARITY

SET\SERL SE05

Range: Enumerated - see below

Selects the Parity for the MODBUS protocol.

Enumerated Value : Parity

- 0 : NONE
- 1 : ODD
- 2 : EVEN

REPLY DELAY

SET\SERL SE06

Range: 0 to 200

The time in milliseconds between the drive receiving the complete request from the communications master (PLC/PC) and replying to this request.

OP PORT PROTOCOL

SET\SERL SE07


Range: Enumerated - see below

Selects the protocol to be used by the keypad port on the front of the drive. When EIBISYNC ASCII is selected, BAUD RATE is 19200 and PARITY is EVEN.

Enumerated Value : Protocol

- 0 : AUTOMATIC - checks for keypad or EI ASCII
- 1 : KEYPAD
- 2 : EIBISYNC ASCII
- 3 : MODBUS
- 4 : FIELDBUS (reserved for future use)

Parameter Descriptions

P3 PORT PROTOCOL  *SET\SERL SE08* *Range: Enumerated - see below*

Selects the protocol to be used by the RS232 programming port on the drive's control board.
When EIBISYNC ASCII is selected, BAUD RATE is 19200 and PARITY is EVEN.

Enumerated Value : Protocol

- 0 : AUTOMATIC - checks for keypad or EI ASCII
- 1 : KEYPAD
- 2 : EIBISYNC ASCII
- 3 : MODBUS
- 4 : FIELDBUS (reserved for future use)

SWAP WORD ORDER *Range: FALSE / TRUE*

This parameter controls the order in which 16-bit words are sent when reading 32-bit word data via the Modbus protocol.

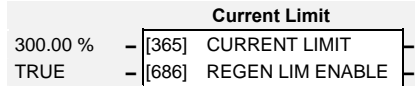
Functional Description

When communicating using the EI BSYNC ASCII protocol, the unit will always respond to GID = 0 and UID = 0, as this is the broadcast address used by the 6901 keypad.

1-22 Programming Your Application

CURRENT LIMIT

Designed for all Motor Control Modes.



This function block allows you to set the maximum level of motor rated current (as a % of the user-set MOTOR CURRENT) which is allowed to flow before current limit action occurs. If the measured motor current exceeds the current limit value with a motoring load, the motor speed is reduced to shed the excess load. If the measured motor current exceeds the current limit value with a regenerating load, the motor speed is increased up to a maximum of MAX SPEED (REFERENCE function block).

Note: *The maximum value of CURRENT LIMIT for a particular motor is limited by the 650V current rating. If a motor of larger rating than the 650V is connected to the drive, then the current limit applies to the 650V and not the motor. In this case the maximum value of the current limit parameter is 150.00%*

Parameter Descriptions

CURRENT LIMIT  **SV** SET\CTRL CL81 Range: 0.00 to 300.00 %

This parameter sets the level of motor current, as a % of MOTOR CURRENT (refer to the MOTOR DATA function block) at which the drive begins to take current limit action.

Refer also to “Normal/Heavy Duty Selection”, page 1-93.

REGEN LIM ENABLE Range: FALSE / TRUE

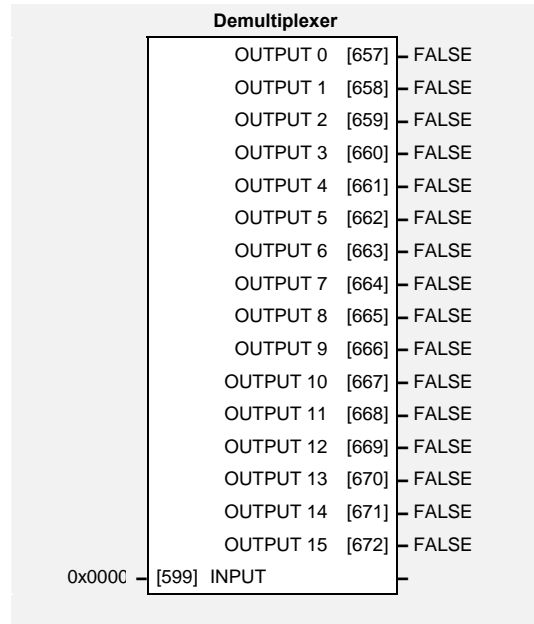
This parameter enables or disables regenerative current limit action.

Note that this parameter only works in open-loop VOLTS / Hz motor control mode.

DEMULTIPLEXER

The demultiplexer function block splits the input word into 16 individual bits.

This may be used to extract the individual trip bits from the ACTIVE TRIPS parameter, for example.



Parameter Descriptions

INPUT

The input to be split into its component bits.

Range: 0000 to FFFF

OUTPUT 0 TO OUTPUT 15

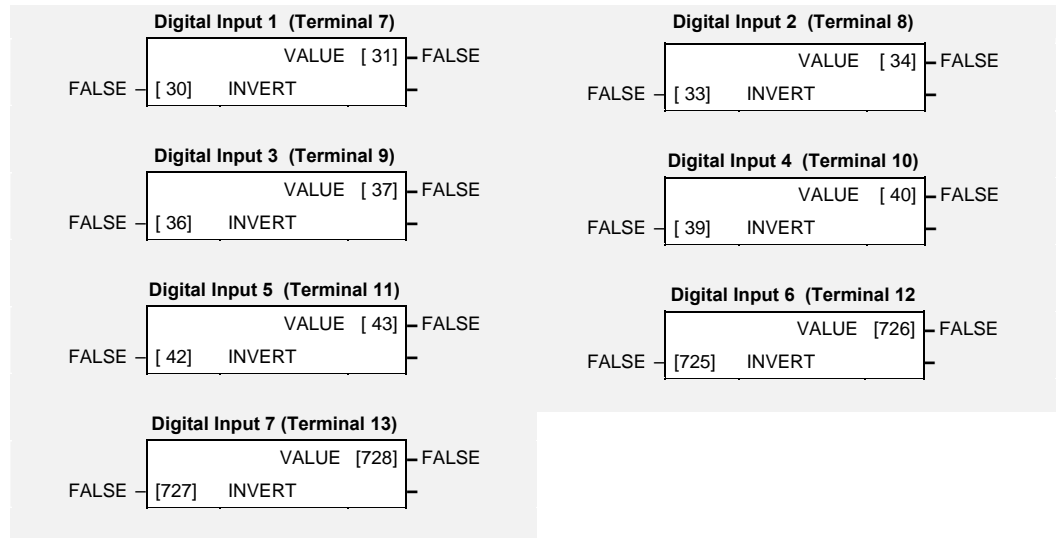
Each output returns the corresponding bit of the 16 bit input word.

Range: FALSE / TRUE

1-24 Programming Your Application

DIGITAL INPUT

The digital input block converts the physical input voltage to TRUE or FALSE control signals.



Functional Description

There is a DIGITAL INPUT function block associated with each of the following terminals:

The Control Board has seven configurable digital inputs:

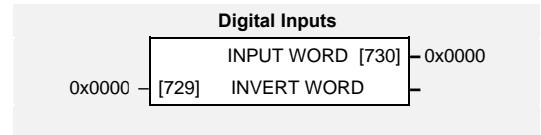
- DIGITAL INPUT 1 is associated with terminal 7
- DIGITAL INPUT 2 is associated with terminal 8
- DIGITAL INPUT 3 is associated with terminal 9 (shares terminal with DOUT1)
- DIGITAL INPUT 4 is associated with terminal 10 (shares terminal with DOUT2)
- DIGITAL INPUT 5 is associated with terminal 11
- DIGITAL INPUT 6 is associated with terminal 12
- DIGITAL INPUT 7 is associated with terminal 13

Parameter Descriptions

- INVERT** *SET\IN IP01 to IP07* *Range: FALSE / TRUE*
 Controls the optional inversion of the VALUE output.
- VALUE** *SET\IN IPD1 to IPD7* *Range: FALSE / TRUE*
 The TRUE or FALSE input, (after any inversion).

DIGITAL INPUTS

The Digital Inputs function block summarises the state of all 7 digital inputs and their invert flags.



Parameter Descriptions

INVERT WORD

Range: 0x0000 to 0x007F

Combined value specifying the INVERT parameter for all seven digital inputs.

INPUT WORD

DIAG\IN\DIIN

Range: 0x0000 to 0x007F

Combined representation of all seven digital inputs in one parameter.

Functional Description

The INPUT WORD is formed from the sum of the digital inputs. Similarly the INVERT WORD is the sum of the digital input INVERT parameters.

The bit masks associated with each input are shown here:

DIGITAL INPUT 1 = 0001
DIGITAL INPUT 2 = 0002
DIGITAL INPUT 3 = 0004
DIGITAL INPUT 4 = 0008
DIGITAL INPUT 5 = 0010
DIGITAL INPUT 6 = 0020
DIGITAL INPUT 7 = 0040

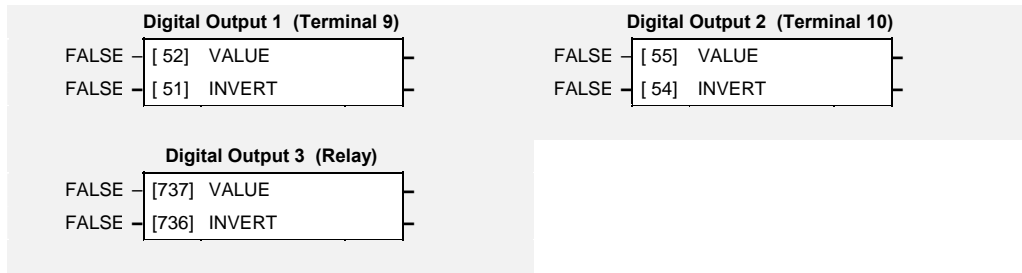
The masks may be combined as described in the TRIPS STATUS function block, section "Hexadecimal Representation of Trips". For example, if all seven digital inputs are active, INPUT WORD would show 0x007F. To invert inputs 3, 6 and 7 would require a value of 0x0064 in INVERT WORD.

Avoid wiring to the INVERT WORD parameter as well as the individual INVERT parameters in the DIGITAL INPUT function blocks in a single application. When wiring to these parameters using the MMI or from a communications master, the most recent value written will apply.

1-26 Programming Your Application

DIGITAL OUTPUT

The digital output block converts a logic TRUE or FALSE demand to a physical output signal.



Parameter Descriptions

VALUE *SET/OUT OP23 - DOUT2* *Range: FALSE / TRUE*
SET/OUT OP33 - DOUT3

The TRUE or FALSE output demand.

INVERT *SET/OUT OP22 - DOUT2* *Range: FALSE / TRUE*
SET/OUT OP32 - DOUT3

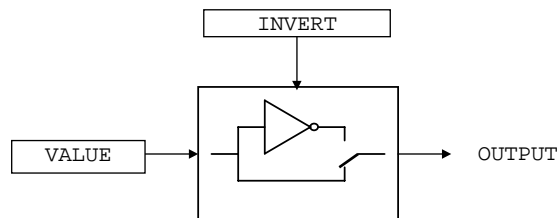
Controls the optional inversion of the VALUE output.

Functional Description

There is a DIGITAL OUTPUT function block associated with each of the following terminals:

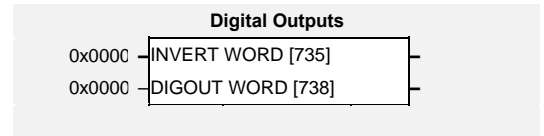
The Control Board has three digital outputs (volt-free relay contacts):

- DIGITAL OUTPUT 1 is associated with terminals 9 (shares terminal with DIN3)
- DIGITAL OUTPUT 2 is associated with terminals 10 (shares terminal with DIN4)
- DIGITAL OUTPUT 3 is associated with terminals RL1A and RL1B (user relay)



DIGITAL OUTPUTS

The Digital Outputs function block summarises the state of the three digital outputs and their invert flags.



Parameter Descriptions

INVERT WORD

Range: 0x0000 to 0x0003

Combined value specifying the INVERT parameter for all three digital outputs.

DIGOUT WORD

DIAG\OUT\DOUT

Range: 0x0000 to 0x0003

Combined value specifying the INPUT parameter for all three digital outputs.

Functional Description

The INVERT WORD is formed from the sum of the digital output INVERT parameters. Similarly the DIGOUT WORD is the sum of the digital output INPUT parameters.

The bit masks associated with each output are shown here:

DIGITAL OUTPUT 1 = 0001
DIGITAL OUTPUT 2 = 0002
DIGITAL OUTPUT 3, (relay) = 0004

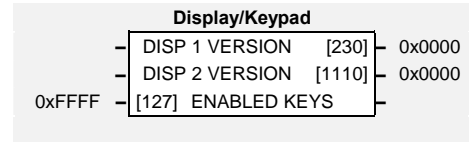
The masks may be combined as described in the TRIPS STATUS function block, section "Hexadecimal Representation of Trips". For example, if all three digital inputs are active, DIGOUT WORD should show 0x0007.

Avoid wiring to the INVERT WORD parameter as well as the individual INVERT parameters in the DIGITAL INPUT function blocks in a single application. When wiring to these parameters using the MMI or from a communications master, the most recent value written will apply. Similarly, avoid wiring to the DIGOUT WORD as well as the individual VALUE parameter for each digital output in a single application.

1-28 Programming Your Application

DISPLAY/KEYPAD

This function block provides information about the keypad connected to the drive and can be used to customise the keypad control keys.



Parameter Descriptions

ENABLED KEYS SET\SETP ST52 Range: 0000 to FFFF

The following keys on the 6901 keypad can be enabled or disabled separately. The combination produces the parameter setting as in the table below. The default of 0xFFFF enables all keys.



6901

Parameter Setting	RUN	L/R	JOG	DIR
0000	-	-	-	-
0010	-	-	-	ENABLED
0020	-	-	ENABLED	-
0030	-	-	ENABLED	ENABLED
0040	-	ENABLED	-	-
0050	-	ENABLED	-	ENABLED
0060	-	ENABLED	ENABLED	-
0070	-	ENABLED	ENABLED	ENABLED
0080	ENABLED	-	-	-
0090	ENABLED	-	-	ENABLED
00A0	ENABLED	-	ENABLED	-
00B0	ENABLED	-	ENABLED	ENABLED
00C0	ENABLED	ENABLED	-	-
00D0	ENABLED	ENABLED	-	ENABLED
00E0	ENABLED	ENABLED	ENABLED	-
00F0	ENABLED	ENABLED	ENABLED	ENABLED



6511



6521

When using the standard 6511 and 6521 keypad, disabling the **DIR** key prevents the local setpoint going negative (for reverse). Similarly, disabling the **L/R** key prevents the drive being changed from Local to Remote, or Remote to Local modes.

DISP 1 VERSION Range: 0000 to FFFF

This is the software version of the keypad connected to the keypad port on the front of the drive.

DISP 2 VERSION Range: 0000 to FFFF

This is the software version of the keypad connected to the RS232 programming port. This port is located on the control board inside the drive.

DISPLAY SCALE

These function blocks can be used to display any floating point parameter with an applied scaling factor, formulae and your preferred units. The Display Scale blocks work together with APP MENU blocks 1 to 16 for entries in the APP MENU, and with the MMI ACCESS menu for display of the setpoint.

Display Scale 1			Display Scale 2		
DEFAULT	[334]	DECIMAL PLACE	DEFAULT	[379]	DECIMAL PLACE
A/B*X+C	[125]	FORMULA	A/B*X+C	[676]	FORMULA
1.00	[321]	COEFFICIENT A	1.00	[375]	COEFFICIENT A
1.00	[44]	COEFFICIENT B	1.00	[673]	COEFFICIENT B
0.00	[322]	COEFFICIENT C	0.00	[376]	COEFFICIENT C
0.00	[101]	HIGH LIMIT	0.00	[674]	HIGH LIMIT
0.00	[53]	LOW LIMIT	0.00	[675]	LOW LIMIT
	[323]	UNITS		[377]	UNITS

Parameter Descriptions

DECIMAL PLACE

Range: See below

Select the position of the decimal point.

Enumerated Value : Position

- 0 : DEFAULT
- 1 : X.X
- 2 : X.XX
- 3 : X.XXX
- 4 : X.XXXX
- 5 : DEFAULT

FORMULA

Range: See below

Select a formula where A, B and C are the coefficients listed below, and X is the value to modify.

Enumerated Value : Formula

- 0 : A/B * X + C
- 1 : A/B * (X+C)
- 2 : A/(B * X) + C
- 3 : A/(B * (X+C))

COEFFICIENT A

Range: -30000.00 to 30000.00

Coefficient used as defined by the formula.

COEFFICIENT B

Range: -30000.00 to 30000.00

Coefficient used as defined by the formula.

COEFFICIENT C

Range: -30000.00 to 30000.00

Coefficient used as defined by the formula.

HIGH LIMIT

Range: -30000.00 to 30000.00

Use high limit to set a maximum value for the modified parameter on the keypad. Setting the HIGH LIMIT lower than or equal to the LOW LIMIT makes the parameter “read-only”.

LOW LIMIT

Range: -30000.00 to 30000.00

Use low limit to set a minimum value for the modified parameter on the keypad. Setting the HIGH LIMIT higher than or equal to the HIGH LIMIT makes the parameter “read-only”.

1-30 Programming Your Application

Parameter Descriptions

UNITS

Range: (see below)

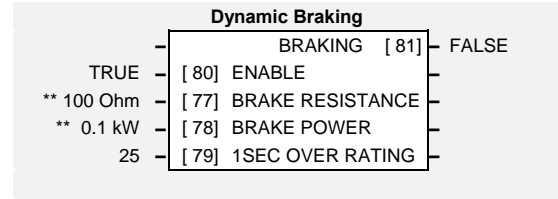
Enumerated Value :

- 0 :
- 1 : V
- 2 : RPM
- 3 : A
- 4 : kW
- 5 : %
- 6 : %ms
- 7 : Hz
- 8 : s
- 9 : ms
- 10 : Hzs
- 11 : ohms
- 12 : mH
- 13 : Nm
- 14 : deg
- 15 : kgm²
- 16 : Nm/Hz
- 17 : /s²
- 18 : /s³
- 19 : Pa
- 20 : kPa
- 21 : bar
- 22 : degC
- 23 : K
- 24 : m³/h

DYNAMIC BRAKING

Designed for all Motor Control Modes.

The dynamic braking function block controls the rate at which energy from a regenerating motor is dumped into a resistive load. This dumping prevents the dc link voltage reaching levels which would cause an Overvoltage trip.



Parameter Descriptions

ENABLE	<i>SET\SETP ST31</i>	<i>Range: FALSE / TRUE</i>
Enables operation of the dynamic braking block.		
BRAKE RESISTANCE	<i>SET\SETP ST32</i>	<i>Range: 1 to 1000 Ohm</i>
The value of the load resistance.		
BRAKE POWER	<i>SET\SETP ST33</i>	<i>Range: 0.1 to 510.0 kW</i>
The power that the load resistance may continually dissipate.		
1SEC OVER RATING	<i>SET\SETP ST34</i>	<i>Range: 1 to 40</i>
Multiplier that may be applied to BRAKE POWER for power overloads lasting no more than 1 second.		
BRAKING		<i>Range: FALSE / TRUE</i>
A read-only parameter indicating the state of the brake switch.		

Functional Description

When enabled, the DYNAMIC BRAKING block monitors the internal dc link voltage every milli-second and sets the state of the brake switch accordingly.

The dynamic braking block provides a control signal that is used by the SLEW RATE LIMIT block. This causes the setpoint to be temporarily frozen whenever the dynamic brake is operating because the dc link voltage exceeds the internal comparison level. This allows the stop rate to be automatically tuned to the characteristics of the load, motor, drive and brake resistor.

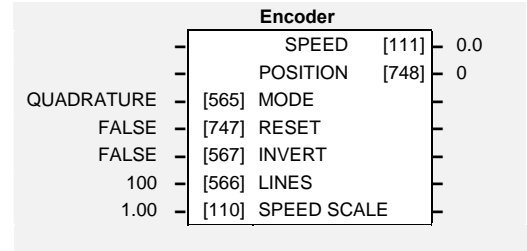
The DYNAMIC BRAKING block operates even when the motor output is not enabled. This allows the block to continually monitor the energy dumped into the braking resistor, and the energy dissipated across the brake switch. With this information the drive is able to deduce the loading on the brake resistor. Optional trips may be enabled should the switch or resistor be loaded beyond its capabilities.

Refer also to the Installation Product Manual, Chapter 12: “Application Notes” - Dynamic Braking.

1-32 Programming Your Application

ENCODER

The ENCODER block allows Speed Feedback to be measured. Simple position measuring is also provided, but is limited to a 16-bit range.



Parameter Descriptions

MODE *SET\ENC EN01* *Range: Enumerated - see below*

Set this parameter to the requirements for your encoder.

Enumerated Value : Mode

- 0 : QUADRATURE (using digital inputs 6 & 7, ENCA and ENCB respectively)
- 1 : CLOCK/DIR (using digital inputs 6 & 7, ENCA and ENCB respectively)
- 2 : CLOCK (using digital input 6, ENCA)

RESET *SET\ENC EN02* *Range: FALSE / TRUE*

When TRUE the POSITION and SPEED outputs are set (and held) at zero.

INVERT *SET\ENC EN03* *Range: FALSE / TRUE*

When TRUE, changes the sign of the measured speed and the direction of the position count.

LINES *SET\ENC EN04* *Range: 100 to 10000*

The number of lines must be set to match the type of encoder being used. Incorrect setting of this parameter will result in an erroneous speed measurement.

SPEED SCALE *SET\ENC EN05* *Range: 0.00 to 300.00*

This parameter allows the output "speed" to be scaled to any value the user requires. With a default value of 1.00, the output "speed" is measured in revs per second. Changing the SPEED SCALE value to 60.00 will provide an output in revs per minute.

To provide an output in percent of the motor maximum speed, where maximum speed is the maximum speed your motor will run in rpm, the SPEED SCALE parameter should be set to the result of:

$$\frac{6000}{\text{maximum speed (rpm)}}$$

SPEED *SET\ENC EN06* *Range: xxx.x*

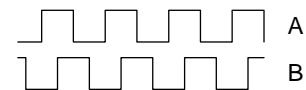
Speed feedback, in units defined by the SPEED SCALE parameter.

POSITION *Range: xxxx*

Number of encoder "counts" from when RESET was set to FALSE. The value will increment or decrement depending on the direction the encoder is rotated. The value will "wrap around" between 32767 and -32768.

Functional Description

A quadrature encoder uses 2 input signals (A and B), phase shifted by a quarter of a cycle (90°). Direction is obtained by looking at the combined state of A and B.



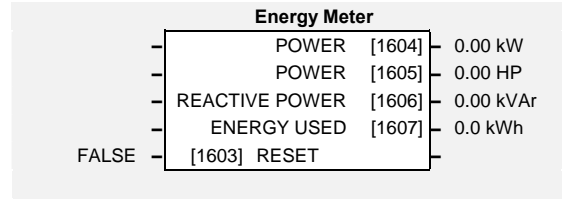
Speed is calculated using the following function:

$$\text{SPEED HZ} = \text{filter} \left[\frac{\text{CountsPerSecond}}{\text{Lines} \times 4}, \text{FilterTime} \right]$$

where counts per second are the number of edges received from the encoder. There are 4 counts per line.

ENERGY METER

This block measures the energy used by the load.



Parameter Descriptions

RESET

Range: FALSE / TRUE

When RESET is set to TRUE, the ENERGY USED parameter is reset to zero automatically when the maximum value is reached.

When RESET is set to FALSE, the ENERGY USED parameter is held at the maximum value when the maximum value has been reached

Changing this from FALSE to TRUE at anytime will cause the ENERGY USED parameter to be reset to zero.

POWER

Range: -32768.00 to 32767.00 kW

This diagnostic shows the power being delivered to the load in kilowatts.

POWER

Range: -32768.00 to 32767.00 HP

This diagnostic shows the power being delivered to the load in horsepower.

REACTIVE POWER

*Range: -32768.00 to 32767.00
kVA_r*

This diagnostic shows the reactive power being delivered to the load in kilovolt-amperes reactive.

ENERGY USED

Range: 0.00 to 32767.00 kWh

This diagnostic shows the total energy consumed by the load in kilowatt hours.

1-34 Programming Your Application

FEEDBACKS

Designed for all Motor Control Modes.

The FEEDBACKS block allows you to view speed feedback and motor current related diagnostics.

Feedbacks		
-	DC LINK VOLTS	[75] 700 V
-	MOTOR CURRENT %	[66] 0.0 %
-	MOTOR CURRENT A	[67] 0.0 A
-	TERMINAL VOLTS	[1020] 0 V
-	SPEED FBK RPM	[569] 0.00 RPM
-	SPEED FBK REV/S	[568] 0.00
-	SPEED FBK %	[749] 0.00 %
-	TORQUE FEEDBACK	[70] 0.00 %
-	FIELD FEEDBACK	[73] 0.00 %
-	FALSE [50] NORMAL DUTY	-

NORMAL DUTY was previously referred to as Quadratic Torque in past Drives' manuals.

Parameter Descriptions

NORMAL DUTY *PAR\P12* *Range: FALSE/TRUE*

When TRUE, selects NORMAL DUTY allowing higher continuous ratings with less overload capability. This is especially suited to fan or pump applications.

When FALSE, selects HEAVY DUTY.

DC LINK VOLTS *DIAG 3* *Range: —. V*

This diagnostic shows the voltage on the dc link capacitors.

MOTOR CURRENT % *Range: —.xx %*

Contains the level of rms line current being drawn from the drive and is seen as a % of the MOTOR CURRENT parameter setting in the MOTOR DATA function block.

MOTOR CURRENT A *DIAG 4* *Range: —.xx A*

This diagnostic contains the level of rms line current being drawn from the drive.

SPEED FBK REV/S *Range: —.xx*

This parameter changes according to the CONTROL MODE (MOTOR DATA function block):

- In SENSORLESS VEC mode the parameter shows the calculated mechanical speed of the motor shaft in revolutions per second.
- In VOLTS / Hz mode, the parameter shows the motor synchronous speed in revolutions per second.

SPEED FBK % *Range: —.xx %*

This parameter changes according to the CONTROL MODE (MOTOR DATA function block):

- In SENSORLESS VEC mode the parameter shows the calculated mechanical speed of the motor shaft as a percentage of the user maximum speed setting (MAX SPEED in the REFERENCE function block).
- In VOLTS / Hz mode, the parameter shows the electrical drive output frequency as a percentage of the user maximum speed setting (MAX SPEED in the REFERENCE function block).

TORQUE FEEDBACK *SET\SETP ST41* *Range: —.xx %*

Shows the estimated motor torque, as a percentage of rated motor torque.

FIELD FEEDBACK *Range: —.xx %*

A value of 100% indicates the motor is operating at rated magnetic flux (field).

FLUXING

Designed for VOLTS/Hz motor Control Mode.

This function block allows user parameterisation of the conventional (volts/hertz) fluxing strategy of the drive. This is achieved through two flexible Volts-to-frequency templates. Starting torque performance can also be tailored through the FIXED BOOST and AUTO BOOST parameters.

Fluxing	
LINEAR LAW	[104] V/F SHAPE
** 0.00 %	[107] FIXED BOOST
0.00 %	[108] AUTO BOOST
** FALSE	[1058] 601 FLUXING
FALSE	[1655] ENERGY SAVING
	[1656] ACCEL BOOST
	[1657] USER FREQ 1
	[1658] USER VOLTAGE 1
	[1659] USER FREQ 2
	[1660] USER VOLTAGE 2
	[1661] USER FREQ 3
	[1662] USER VOLTAGE 3
	[1663] USER FREQ 4
	[1664] USER VOLTAGE 4
	[1679] LOW ENERGY LIM

Parameter Descriptions

V/F SHAPE

PAR\ P11

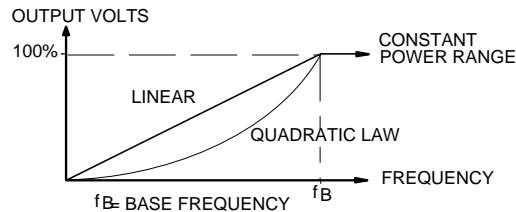
Range: Enumerated - see below

This parameter determines the type of volts to frequency template is used to flux the motor. The choices of this parameter are:

Enumerated Value : V/F Shape

- 0 : LINEAR LAW
- 1 : FAN LAW

LINEAR LAW : This gives a constant flux characteristic up to the BASE FREQUENCY
 FAN LAW: This gives a quadratic flux characteristic up to the BASE FREQUENCY. This matches the load requirement for fan and most pump applications



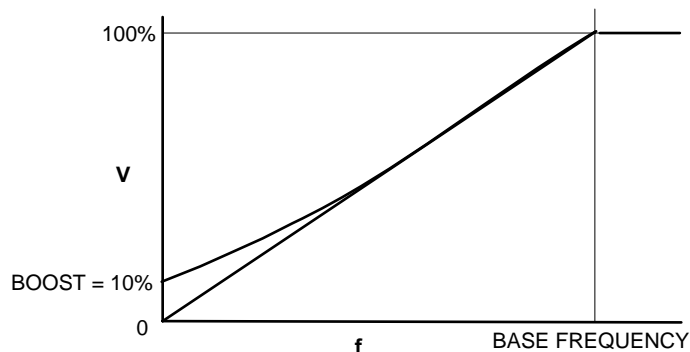
USER DEFINED: the flux characteristic is defined by a total of six points in the Frequency/Voltage curve. Two points are fixed, these are 0Hz give 0% Volts and Base Frequency gives 100% Volts. The other four points are defined by parameters USER FREQ 1 to 4 and USER VOLTAGE 1 to 4.

FIXED BOOST

M VF PAR\ P13

Range: 0.00 to 25.00 %

This parameter allows for no-load stator resistance voltage drop compensation. This correctly fluxes the motor (under no-load conditions) at low output frequencies, thereby increasing available motor torque. Fixed boost can be set in addition to auto boost.



1-36 Programming Your Application

Parameter Descriptions

AUTO BOOST **F M VF** SET\CTRL CL08 *Range: 0.00 to 25.00 %*

This parameter allows for load dependent stator resistance voltage drop compensation. This correctly fluxes the motor (under load conditions) at low output frequencies, thereby increasing available motor torque. Auto boost can be set in addition to fixed boost.

The value of the AUTO BOOST parameter determines level of additional volts supplied to the motor for 100% load.

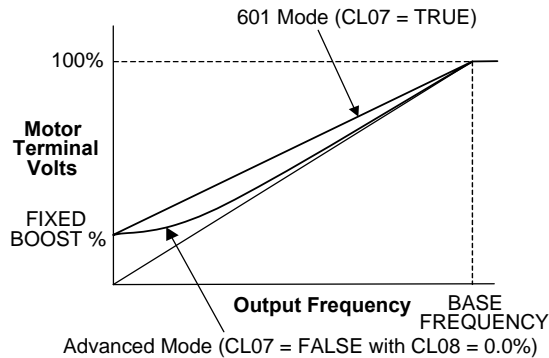
Setting the value of auto boost too high can cause the drive to enter current limit. If this occurs, the drive will be unable to ramp up in speed. Reducing the value of auto boost will eliminate this problem.

601 FLUXING (BOOST MODE) **F M VF** SET\CTRL CL07 *Range: FALSE / TRUE*

Determines the relationship between fixed boost and terminal volts. There are two settings:

FALSE produces the terminal volts profile shown below (with Auto Boost, CL08, set to 0.0 %). In this mode AUTO BOOST (CL08) should be set to provide optimum low speed performance.

TRUE emulates the terminal volts profile provided by the SSD Drives' 601 product. This allows drop in replacement of the 601 by the 650V. AUTO BOOST (CL08) has no effect in this mode.



ENERGY SAVING **F VF** SET\CTRL CL09 *Range: FALSE / TRUE*

When set TRUE, the demanded volts are reduced to minimise energy consumption if the drive is operating in a steady state at light load.

ACCEL BOOST *Range:*

This parameter provides an additional amount of fixed boost.

USER FREQ 1 to 4 *Range: 0.0 to 100.0%*

These parameters provide 4 frequency points, which together with the USER VOLTAGE parameters, provide the user defined voltage profile. (USER FREQ n, USER VOLTAGE n) provide up to 4 (x,y) points on this profile. The USER FREQ parameters are defined as a percentage of the BASE FREQUENCY parameter, (refer to the MOTOR DATA function block).

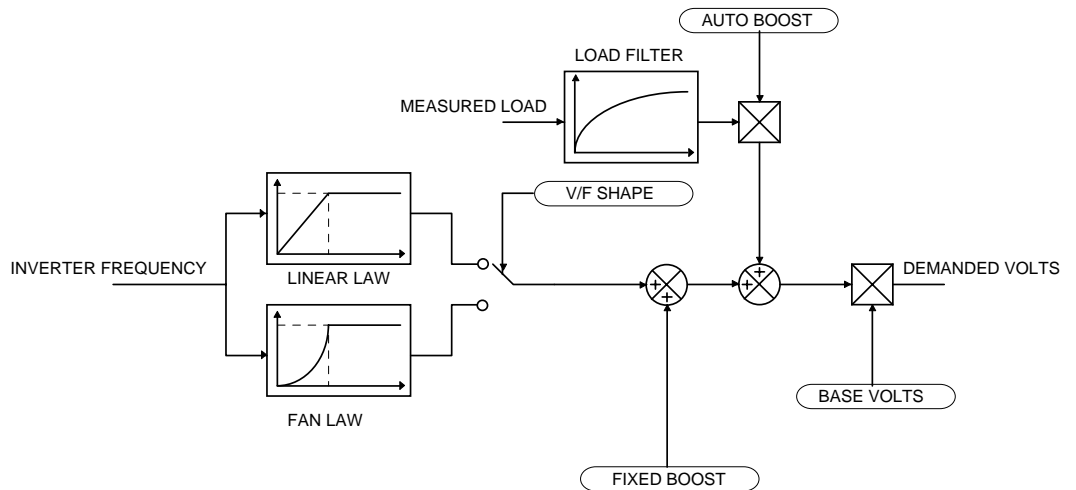
USER VOLTAGE 1 to 4 *Range: 0.0 to 100.0%*

These parameters provide 4 voltage points, which together with the USER FREQ parameters, provide the user defined voltage profile. (USER FREQ n, USER VOLTAGE n) provide up to 4 (x,y) points on this profile. The USER VOLTAGE parameters are defined as a percentage of the MOTOR VOLTAGE parameter (refer to the MOTOR DATA function block).

LOW ENERGY LIM *Range: FALSE / TRUE*

This parameter is used in conjunction with the ENERGY SAVING input. The energy saving mode of operation is inhibited when the absolute value of the speed demand is less than this limit.

Functional Description



The function block allows the user to parameterise the drive's conventional V/F motor fluxing scheme. Three V/F shapes are available, LINEAR LAW, FAN LAW and USER DEFINED:

- Linear Law V/F shape should be used in applications requiring constant motor torque though out the speed range (e.g. machine tools or hoists).
- Fan Law V/F shape provides extra energy savings for fan or pump applications.
- User Defined shape can be used to customize the fluxing curve for specialist applications.

Correct no-load motor fluxing at low drive output frequencies can be achieved by setting the FIXED BOOST parameter.

Correct motor fluxing under load conditions is achieved by setting the AUTO BOOST parameter.

The motor is correctly fluxed when the FIELD FEEDBACK diagnostic in the FEEDBACKS function block reads 100.0% .

1-38 Programming Your Application

FLYCATCHING

Designed for all Motor Control Modes.

This block performs a directional speed search. It allows the drive to seamlessly catch a spinning motor before controlling the motor to the desired setpoint.

This is especially useful for large inertia fan loads, where drafts in building air ducts can cause a fan to 'windmill'.

Flycatching			
	ACTIVE	[576]	FALSE
	SETPOINT	[28]	0.00 %
FALSE	[570]	VHZ ENABLE	
TRUE	[1553]	VECTOR ENABLE	
ALWAYS	[571]	START MODE	
BIDIRECTIONAL	[572]	SEARCH MODE	
** 9.00 %	[573]	SEARCH VOLTS	
** 40.00 %	[32]	SEARCH BOOST	
** 10.0 s	[574]	SEARCH TIME	
5.0 Hz	[575]	MIN SEARCH SPEED	
** 3.0 s	[709]	REFLUX TIME	

Parameter Descriptions

VHZ ENABLE **VF** SET\CTRL CL03 *Range: FALSE / TRUE*
Enables flycatching in Volts/Hz control mode when TRUE.

VECTOR ENABLE **SV** SET\CTRL CL03 *Range: FALSE / TRUE*
Enables flycatching in Sensorless Vector control mode when TRUE.

START MODE *Range: Enumerated - see below*
The mode of operation for the flycatching sequence software.

Enumerated Value : Start Mode

- 0 : ALWAYS
- 1 : TRIP OR POWERUP
- 2 : TRIP

SEARCH MODE *Range: Enumerated - see below*
The type of speed search carried out by the flycatching sequence.

Enumerated Value : Search Mode

- 0 : BIDIRECTIONAL
- 1 : UNIDIRECTIONAL

SEARCH VOLTS *Range: 0.00 to 100.00 %*
The percentage level of the search volts applied to the motor during the speed search phase of the flycatching sequence. Increasing this parameter improves the accuracy of the discovered motor speed but increases the braking influence of the speed search on the rotating motor.

SEARCH BOOST *Range: 0.00 to 50.00 %*
The level of search boost applied to the motor during the speed search phase of the flycatching sequence.

SEARCH TIME *Range: 0.1 to 60.0 s*
The search rate during the speed search phase of the flycatching sequence. Performing the flycatching speed search too quickly can cause the drive to inaccurately identify the motor speed. Refluxing at an inaccurate motor speed can cause the drive to trip on overvoltage. If this occurs, increasing this parameter will reduce the risk of tripping.

MIN SEARCH SPEED *Range: 0.0 to 500.0 Hz*
The lowest search speed before the speed search phase of the flycatching sequence is considered to have failed.

REFLUX TIME *Range: 0.1 to 20.0 s*
The rate of rise of volts from the search level to the working level after a successful speed search. Refluxing the motor too quickly can cause the drive to trip on either overvoltage or overcurrent. In either case, increasing this parameter will reduce the risk of tripping.

Parameter Descriptions

ACTIVE

Range: FALSE / TRUE

A diagnostic output indicating whether the flycatching sequence is active.

SETPPOINT

Range xxx.xx %

This output is the setpoint caught at the end of a successful flycatching sequence.

Functional Description

The flycatching function enables the drive to be restarted smoothly into a spinning motor. It applies small search voltages to the motor whilst ramping the drive frequency from maximum speed (MAX SPEED in the REFERENCE function block) to zero. When the motor load goes from motoring to regenerating, the speed search has succeeded and is terminated.

The type of speed sequence may be Unidirectional or Bidirectional. The examples below assume a “positive” setpoint. (A “negative” setpoint would alter the signs for MAX SPEED and MIN SEARCH SPEED in the examples).

Unidirectional

The search is performed only in the direction of the speed setpoint:

The drive starts the search at +110% of MAX SPEED. It then searches to the MIN SEARCH SPEED (for example +5Hz), towards zero.

If the speed is not found, the drive will ramp to the speed setpoint from zero, as normal.

Bidirectional

Initially, the search is performed in the direction of the speed setpoint:

The drive starts the search at +110% of MAX SPEED. It then searches to the MIN SEARCH SPEED (for example +5Hz), towards zero.

If the speed is not found in this direction, a second speed search is performed in the opposite direction:

The drive starts the search at -110% of MAX SPEED. It then searches to the MIN SEARCH SPEED (for example -5Hz), towards zero.

If the speed is not found, the drive will ramp to the speed setpoint from zero, as normal.

The flycatching sequence can be triggered by different starting conditions:

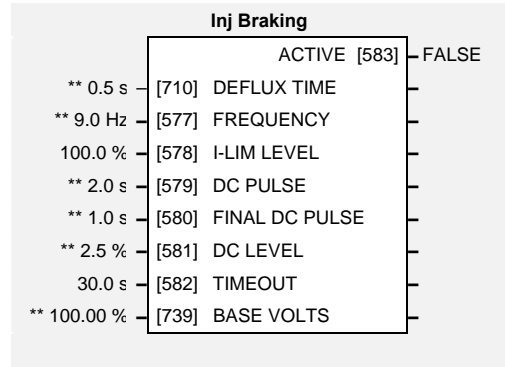
ALWAYS: All starts (after controlled or uncontrolled stop, or after a power-up)
TRIP or POWER-UP: After uncontrolled stop, i.e. trip or coast, or after a power-up
TRIP: After uncontrolled stop, i.e. trip or coast

1-40 Programming Your Application

INJ BRAKING

Designed for VOLTS/Hz Motor Control Mode.

The injection braking block provides a method of stopping spinning induction motors without returning the kinetic energy of the motor and load back in to the dc link of the drive. This is achieved by running the motor highly inefficiently so that all the energy stored in the load is dissipated in the motor. Thus, high inertia loads can be stopped without the need for an external dynamic braking resistor.



Parameter Descriptions

DEFLUX TIME

Range: 0.1 to 20.0 s

Determines the time in which the drive defluxes the motor prior injection braking.

FREQUENCY

Range: 1.0 to 240.0 Hz

Determines the maximum frequency applied to the motor for the low frequency injection braking mode. It is also clamped internally so as never to exceed 50% of base speed value.

I-LIM LEVEL

Range: 50.0 to 150.0 %

Determines the level of motor current flowing during low frequency injection braking.

DC PULSE

Range: 0.0 to 100.0 s

Determines the duration of the dc pulse applied to the motor when injection braking is required for motor speeds below 20% of base speed. The actual dc pulse time applied to the motor is dependent on the ratio of initial motor speed to 20% of base speed.

FINAL DC PULSE

Range: 0.0 to 10.0 s

Determines the duration of the final dc holding pulse applied to the motor after either low frequency injection braking or timed dc pulse.

DC LEVEL

Range: 0.0 to 25.0 %

Determines the level of dc pulse applied to the motor during either the timed or final dc pulse.

TIMEOUT

Range: 0.0 to 600.0 s

Determines the maximum amount of time the sequence is allowed to remain in the low frequency injection braking state.

BASE VOLTS

Range: 0.00 to 115.47 %

Determines the maximum volts at base speed applied to the motor during injection braking.

ACTIVE

Range: FALSE / TRUE

Indicates the state of the drive. TRUE when injection braking.

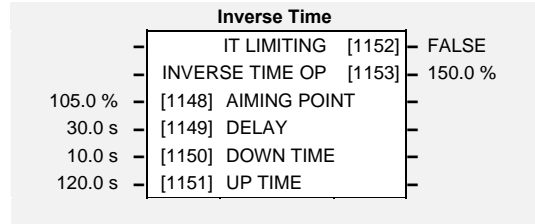
INVERSE TIME

Designed for all Motor Control Modes.

The purpose of the inverse time is to automatically reduce the drive current limit in response to prolonged overload conditions. As the motor current exceeds the AIMING POINT level, the excess current is integrated. Motor current is allowed to flow at the CURRENT LIMIT (see the CURRENT LIMIT function block) for a period defined by the DELAY parameter. At this point the inverse time current limit is ramped down from 150.0 % to the level defined by AIMING POINT. The rate at which the inverse time current limit is ramped to the AIMING POINT is defined by DOWN TIME.

Once the overload condition is removed, the inverse time current limit level is ramped back toward the CURRENT LIMIT level at a rate defined by UP TIME.

In Normal Duty torque mode, the allowed overload is reduced to 115.0 % for 60.0 s before inverse time current limit action occurs.



Parameter Descriptions

AIMING POINT

Range: 50.0 to 150.0%

Determines the final level of the inverse time current limit after a period of prolonged motor overload

DELAY

Range: 5.0 to 60.0s

Determines the maximum allowed overload duration for 150.0 % motor current (110.0% in QUADRATIC TORQUE mode) before inverse time current limit action is taken.

Refer also to “Normal/Heavy Duty Selection”, page 1-93.

DOWN TIME

Range: 1.0 to 10.0s

Determines the rate at which the inverse time current limit is ramped to the AIMING POINT after a period of prolonged overload.

UP TIME

Range: 1.0 to 600.0s

Determines the rate at which the inverse time current limit is ramped back to the CURRENT LIMIT once the overload is removed.

IT LIMITING

Range: FALSE / TRUE

This indicates if the inverse time current limit is active.

INVERSE TIME OP

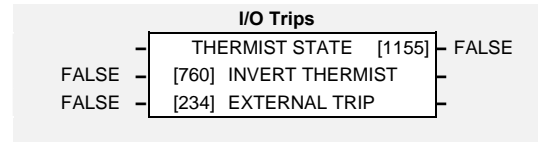
Range: —.x %

This indicates the present level of the inverse time current limit.

1-42 Programming Your Application

I/O TRIPS

This function block is designed to operate in conjunction with the Digital Input function blocks to trip the drive on a loss of safety control input.



Parameter Descriptions

INVERT THERMIST

Range: FALSE / TRUE

Inverts the sense of the motor thermistor input. The default FALSE is normally-closed/low impedance.

EXTERNAL TRIP

Range: FALSE / TRUE

When this input is set TRUE the drive will trip on EXTERNAL TRIP. This input may be connected to one of the digital inputs to provide an high priority coast to stop that also sets the TRIPPED output high.

THERMIST STATE

Range: FALSE / TRUE

The current state of the motor thermistor trip input, modified by INVERT THERMIST input.

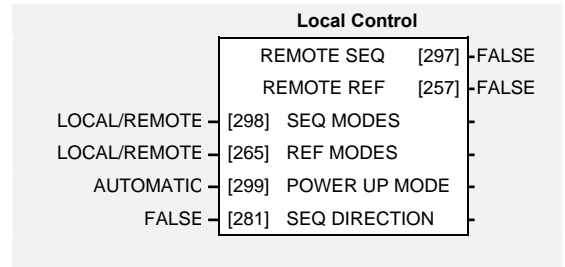
Functional Description

The I/O TRIPS function block allows trips to be generated by signals on the input terminals of the drive. Refer to the Installation Product Manual, Chapter 7 for a description of the trips supported by the drive.

LOCAL CONTROL

This block allows the available modes of Local and Remote operation to be customised. It also indicates the selected mode.

You can only switch between Local and Remote modes using the keypad. Refer to the Installation Product Manual, Chapter 5: "The Keypad" - Selecting Local or Remote Control.



Parameter Descriptions

SEQ MODES

Range: Enumerated - see below

Allows the source of sequencing (stop/start) commands to be selected. Local/Remote allows selection by the L/R key on the keypad. The remaining two selections disable the L/R key for selecting the sequencing commands source and lock the source to be either Local (keypad) or Remote (an external signal to the drive terminals). The modes supported are:

Enumerated Value : Seq Mode

- 0 : LOCAL/REMOTE
- 1 : LOCAL ONLY
- 2 : REMOTE ONLY

REF MODES

Range: Enumerated - see below

Allows the source of the reference (speed control) signal to be selected. Local/Remote allows selection by the L/R key on the keypad. The remaining two selections disable the L/R key for selecting the reference signal source and lock the source to be either Local (keypad) or Remote (an external signal to the drive terminals). The modes supported are:

Enumerated Value : Ref Mode

- 0 : LOCAL/REMOTE
- 1 : LOCAL ONLY
- 2 : REMOTE ONLY

POWER UP MODE

Range: Enumerated - see below

Allows the power-up operating mode of the drive to be selected. Local is the keypad, Remote is an external signal to the drive terminals. Automatic is the same mode as at power-down. The modes supported are:

Enumerated Value : Power Up Mode

- 0 : LOCAL
- 1 : REMOTE
- 2 : AUTOMATIC

SEQ DIRECTION

Range: FALSE / TRUE

This parameter is used in conjunction with the 6901 Keypad which has a "direction" key, Forward/Reverse.

When this parameter is set to TRUE, the source of the "direction" command is as defined by the SEQ MODES parameter

When this parameter is set to FALSE, the source of the "direction" command is as defined by the REF MODES parameter

REMOTE SEQ

Range: FALSE / TRUE

This parameter indicates the present source of the sequencing commands. When set to FALSE, stop-start commands are from Local (keypad), when TRUE stop-start commands are from Remote (from the terminals).

REMOTE REF

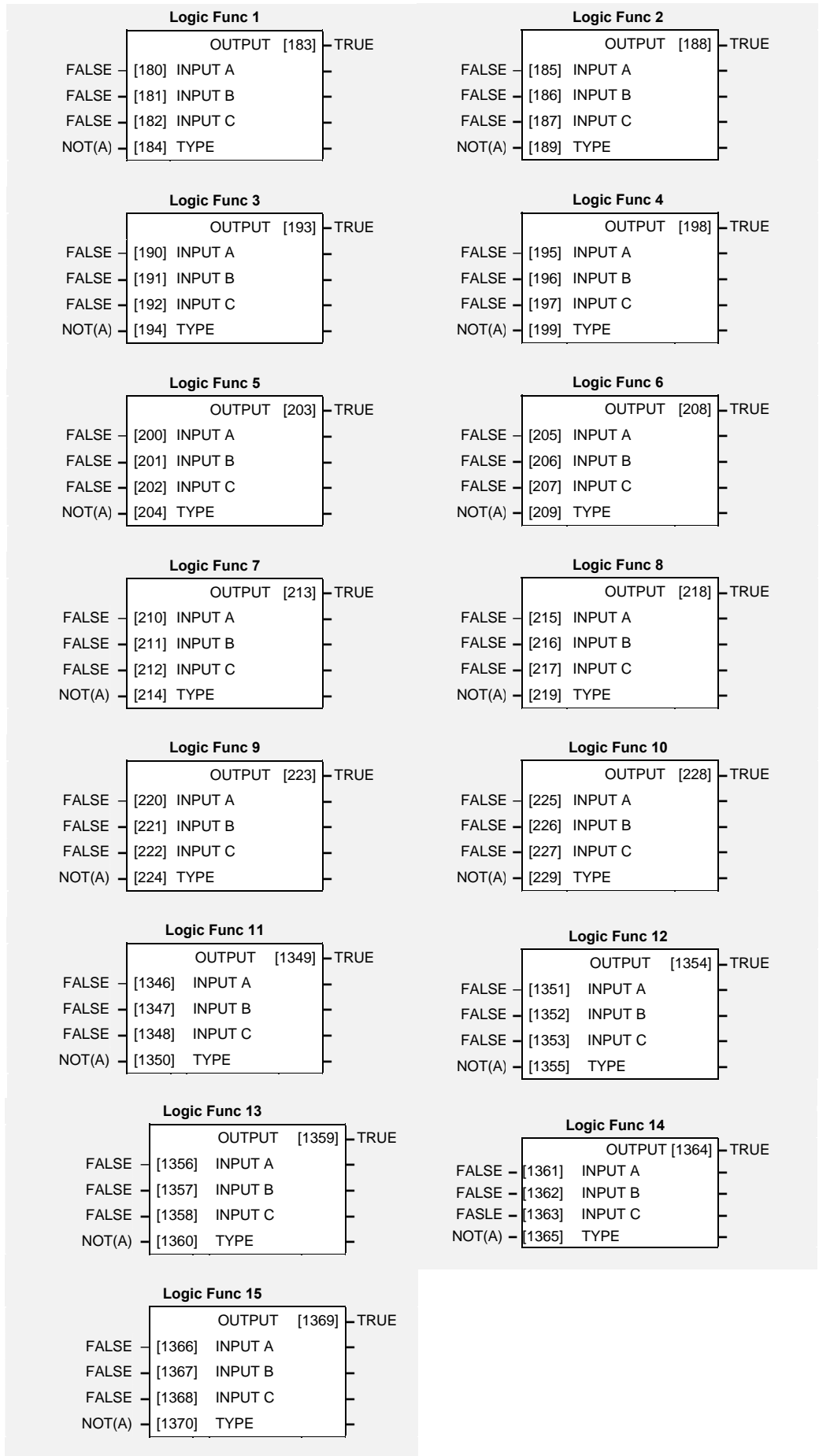
Range: FALSE / TRUE

This parameter indicates the present source of the reference signal. When set to FALSE, speed control is from Local (keypad), when TRUE speed control is from Remote (from the terminals).

1-44 Programming Your Application

LOGIC FUNCTION

These generic function blocks can be configured to perform one of a number of simple functions upon a fixed number of inputs.



Parameter Descriptions

INPUT A

General purpose logic input.

Range: FALSE / TRUE

INPUT B

General purpose logic input.

Range: FALSE / TRUE

INPUT C

General purpose logic input.

Range: FALSE / TRUE

TYPE

The operation to be performed on the three inputs to produce the output value. The operations that can be selected are:

Range: Enumerated - see below

Enumerated Value : Type

- 0 : NOT(A)
- 1 : AND(A,B,C)
- 2 : NAND(A,B,C)
- 3 : OR(A,B,C)
- 4 : NOR(A,B,C)
- 5 : XOR(A,B)
- 6 : 0-1 EDGE(A)
- 7 : 1-0 EDGE(A)
- 8 : AND(A,B,!C)
- 9 : OR(A,B,!C)
- 10 : S FLIP-FLOP
- 11 : R FLIP-FLOP
- 12 : LATCH
- 13 : SWITCH
- 14 : (A AND B) OR
- 15 : (A OR B) AND C

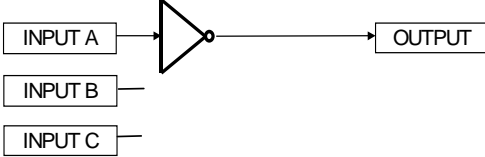
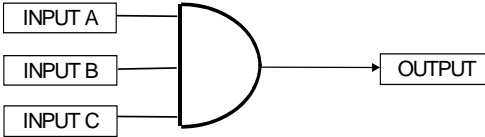
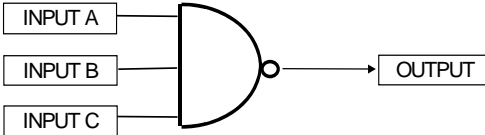
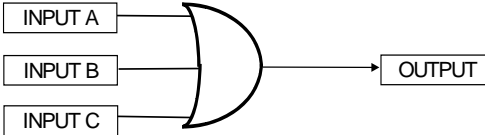
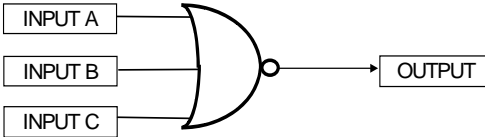
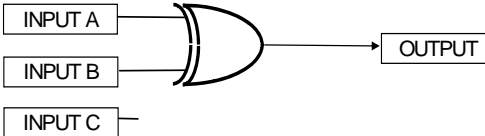
OUTPUT

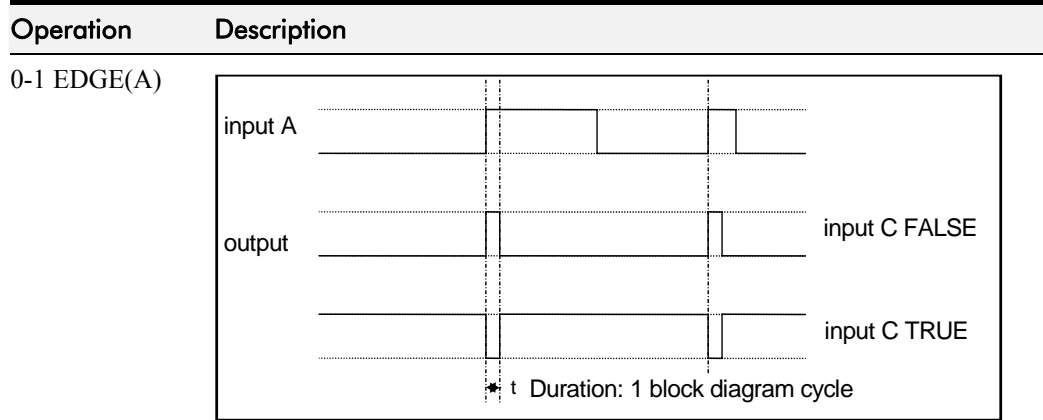
The result of performing the selected operation on the inputs.

Range: FALSE / TRUE

1-46 Programming Your Application

Functional Description

Operation	Description
NOT(A)	<p>NOT(A)</p>  <p>If INPUT A is TRUE the OUTPUT is FALSE, otherwise the OUTPUT is TRUE.</p>
AND(A,B,C)	<p>AND(A,B,C)</p>  <p>If A and B and C are all TRUE then the OUTPUT is TRUE, otherwise the OUTPUT is FALSE.</p>
NAND(A,B,C)	<p>NAND(A,B,C)</p>  <p>If A and B and C are all TRUE then the OUTPUT is FALSE, otherwise the OUTPUT is TRUE.</p>
OR(A,B,C)	<p>OR(A,B,C)</p>  <p>If at least one of A or B or C is TRUE then the OUTPUT is TRUE, otherwise the OUTPUT is FALSE.</p>
NOR(A,B,C)	<p>NOR(A,B,C)</p>  <p>If at least one of A or B or C is TRUE then the OUTPUT is FALSE, otherwise the OUTPUT is TRUE.</p>
XOR(A,B)	<p>XOR(A,B)</p>  <p>If A and B are the same, (both TRUE or both FALSE), then the output is FALSE, otherwise the output is TRUE.</p>

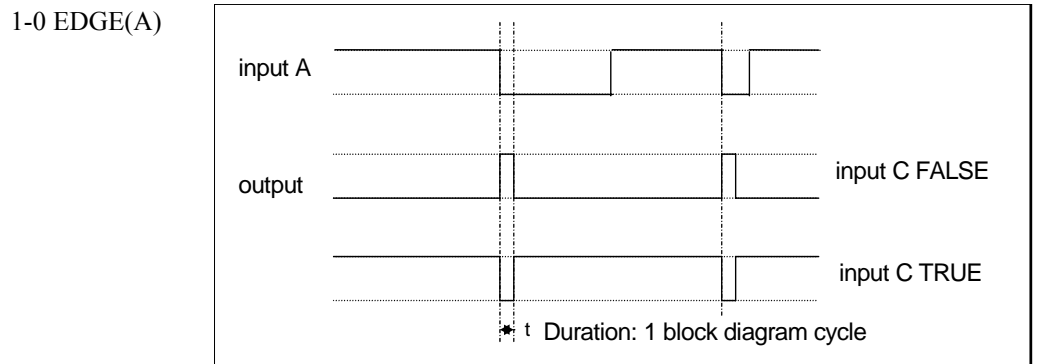


Rising Edge Trigger

Input B is not used.

This function outputs a pulse of 5ms duration when INPUT A to the block becomes TRUE. When INPUT C is TRUE, the output is inverted.

The output is held TRUE for one execution of the function block diagram.



Falling Edge Trigger

Input B is not used.

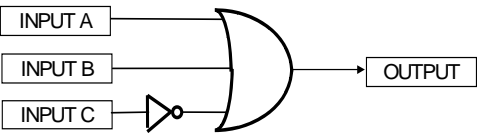
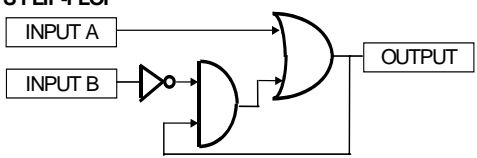
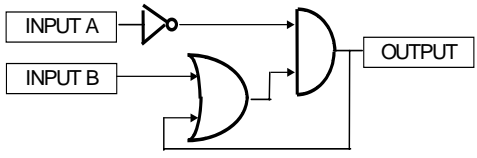
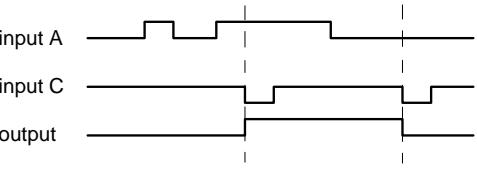
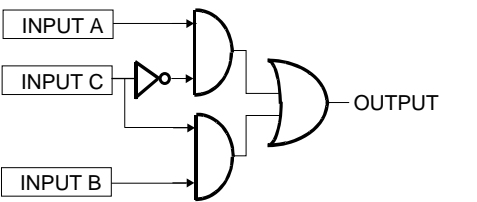
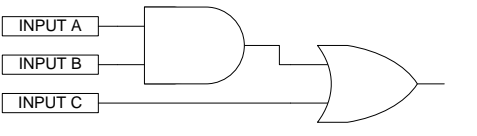
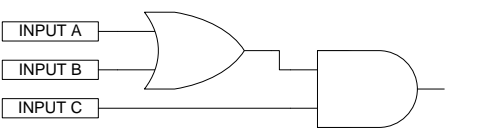
This function outputs a pulse of 20ms duration when INPUT A to the block becomes FALSE. When INPUT C is TRUE, the output is inverted.

The output is held TRUE for one execution of the function block diagram.

AND(A,B,!C)	AND(A,B,!C)	Input State			Output State
		A	B	C	
		0	0	0	0
		0	0	1	0
		0	1	0	0
		0	1	1	0
		1	0	0	0
		1	0	1	0
		1	1	0	1
		1	1	1	0

Refer to the Truth Table.
 FALSE = 0, TRUE = 1.

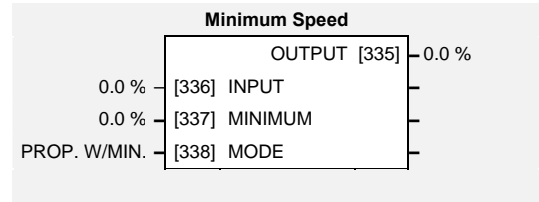
1-48 Programming Your Application

Operation	Description	Input State	Output State																																				
OR(A,B,!C)	<p>OR(A,B,!C)</p> 	<table border="1"> <thead> <tr> <th>A</th> <th>B</th> <th>C</th> <th>Output State</th> </tr> </thead> <tbody> <tr><td>0</td><td>0</td><td>0</td><td>1</td></tr> <tr><td>0</td><td>0</td><td>1</td><td>0</td></tr> <tr><td>0</td><td>1</td><td>0</td><td>1</td></tr> <tr><td>0</td><td>1</td><td>1</td><td>1</td></tr> <tr><td>1</td><td>0</td><td>0</td><td>1</td></tr> <tr><td>1</td><td>0</td><td>1</td><td>1</td></tr> <tr><td>1</td><td>1</td><td>0</td><td>1</td></tr> <tr><td>1</td><td>1</td><td>1</td><td>1</td></tr> </tbody> </table>	A	B	C	Output State	0	0	0	1	0	0	1	0	0	1	0	1	0	1	1	1	1	0	0	1	1	0	1	1	1	1	0	1	1	1	1	1	
A	B	C	Output State																																				
0	0	0	1																																				
0	0	1	0																																				
0	1	0	1																																				
0	1	1	1																																				
1	0	0	1																																				
1	0	1	1																																				
1	1	0	1																																				
1	1	1	1																																				
	Refer to the Truth Table. FALSE = 0, TRUE = 1.																																						
S FLIP-FLOP	<p>S FLIP-FLOP</p> 	This is a set dominant flip-flop. INPUT A functions as <i>set</i> , and INPUT B as <i>reset</i> .																																					
R FLIP-FLOP	<p>R FLIP-FLOP</p> 	This is a reset dominant flip-flop. INPUT A functions as <i>reset</i> , and INPUT B as <i>set</i> .																																					
LATCH		When INPUT C is low, the output is the value of INPUT A. This output value is then latched until INPUT C is low again. INPUT B is not used.																																					
SWITCH		When INPUT C is FALSE, the output is equal to INPUT A. When INPUT C is TRUE, the output is equal to INPUT B.																																					
(A AND B) OR C		<table border="1"> <thead> <tr> <th>A</th> <th>B</th> <th>C</th> <th>Output</th> </tr> </thead> <tbody> <tr><td>0</td><td>0</td><td>0</td><td>0</td></tr> <tr><td>0</td><td>0</td><td>1</td><td>1</td></tr> <tr><td>0</td><td>1</td><td>0</td><td>0</td></tr> <tr><td>0</td><td>1</td><td>1</td><td>1</td></tr> <tr><td>1</td><td>0</td><td>0</td><td>0</td></tr> <tr><td>1</td><td>0</td><td>1</td><td>1</td></tr> <tr><td>1</td><td>1</td><td>0</td><td>1</td></tr> <tr><td>1</td><td>1</td><td>1</td><td>1</td></tr> </tbody> </table>	A	B	C	Output	0	0	0	0	0	0	1	1	0	1	0	0	0	1	1	1	1	0	0	0	1	0	1	1	1	1	0	1	1	1	1	1	
A	B	C	Output																																				
0	0	0	0																																				
0	0	1	1																																				
0	1	0	0																																				
0	1	1	1																																				
1	0	0	0																																				
1	0	1	1																																				
1	1	0	1																																				
1	1	1	1																																				
	Refer to the truth table FALSE = 0, TRUE = 1.																																						
(A OR B) AND C		<table border="1"> <thead> <tr> <th>A</th> <th>B</th> <th>C</th> <th>Output</th> </tr> </thead> <tbody> <tr><td>0</td><td>0</td><td>0</td><td>0</td></tr> <tr><td>0</td><td>0</td><td>1</td><td>0</td></tr> <tr><td>0</td><td>1</td><td>0</td><td>0</td></tr> <tr><td>0</td><td>1</td><td>1</td><td>1</td></tr> <tr><td>1</td><td>0</td><td>0</td><td>0</td></tr> <tr><td>1</td><td>0</td><td>1</td><td>1</td></tr> <tr><td>1</td><td>1</td><td>0</td><td>0</td></tr> <tr><td>1</td><td>1</td><td>1</td><td>1</td></tr> </tbody> </table>	A	B	C	Output	0	0	0	0	0	0	1	0	0	1	0	0	0	1	1	1	1	0	0	0	1	0	1	1	1	1	0	0	1	1	1	1	
A	B	C	Output																																				
0	0	0	0																																				
0	0	1	0																																				
0	1	0	0																																				
0	1	1	1																																				
1	0	0	0																																				
1	0	1	1																																				
1	1	0	0																																				
1	1	1	1																																				
	Refer to the truth table FALSE = 0, TRUE = 1.																																						

MINIMUM SPEED

The minimum speed block is used to determine how the drive will follow a reference. There are two modes

1. Proportional : minimum limit
2. Linear : between minimum and maximum.



Parameter Descriptions

INPUT

The input for this block.

Range: -300.0 to 300.0 %

MINIMUM

PAR\ P3

This parameter determines the minimum output value from this block

Range: -100.0 to 100.0 %

MODE

SET\SETP STO6

This parameter represents the operating mode of the block. There are two modes:

Range: Enumerated - see below

Enumerated Value : Operating Mode

0 : PROP. W/MIN.

1 : LINEAR

OUTPUT

The output is determined by the MODE selected, see below.

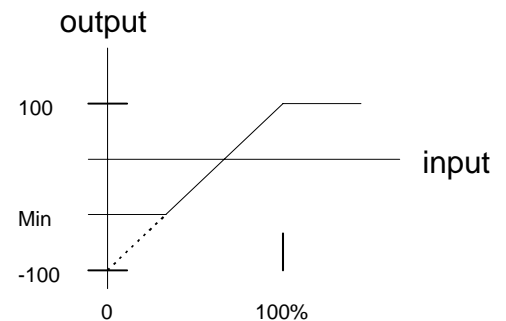
Range: —.x %

Functional Description

There are two operating modes for the MINIMUM SPEED block:

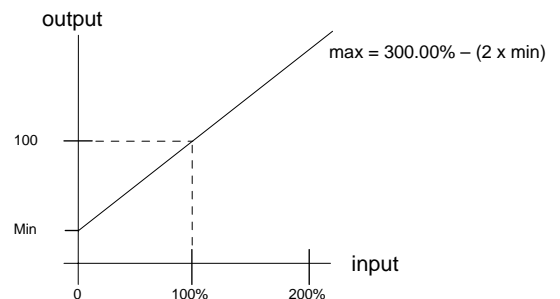
Proportional with Minimum

In this mode the MINIMUM SPEED block behaves like a simple clamp. The minimum value has the valid range -100% to 100% and the output is always greater than or equal to the minimum value.



Linear

In this mode the MINIMUM SPEED block first clamps the input to zero then rescales the input such that the output goes linearly between minimum and 100% for an input that goes from 0 to 100%.



Note the constraints:-

$$\text{min} \geq 0$$

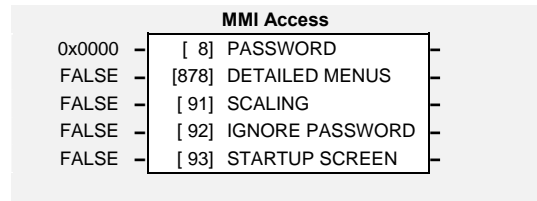
$$\text{input} \geq 0$$

$$\text{max} = 100\%$$

1-50 Programming Your Application

MMI ACCESS

This function block contains options associated with operator station password protection and the amount of detail the menu structure will show.



Parameter Descriptions

PASSWORD *PAR\ P99* *Range: 0000 to FFFF*

Setting a non-zero value enables the password feature.

DETAILED MENUS *SET\SETP ST99* *Range: FALSE / TRUE*

Selects Full menu detail for the keypad. The additional parameters shown in the menus are indicated in this manual by **F**

SCALING *Range: See below*

Selects a DISPLAY SCALE function block to be applied to the value of SETPOINT DISPLAY

Enumerated Value : DISPLAY SCALE function block

- 0 : NONE
- 1 : DISPLAY SCALE 1
- 2 : DISPLAY SCALE 2

IGNORE PASSWORD *Range: FALSE / TRUE*

When TRUE, this entry in the MMI ACCESS may be adjusted regardless of the password protection feature.

STARTUP SCREEN *Range: See below*

Selects which of the Operator Menu parameters will be displayed after the Welcome screen.

Enumerated Value : Startup Screen

- 0 : selects REMOTE SETPOINT or LOCAL SETPOINT
- 1 : selects parameter defined by APP MENU 1
- 2 : selects parameter defined by APP MENU 2
- : etc.
- 16 : selects parameter defined by APP MENU 16

MOTOR DATA

Designed for all Motor Control Modes.

In this function block you enter the details of the motor under control and any available motor nameplate information.


The Autotune feature will determine the MAG CURRENT, STATOR RES, LEAKAGE INDUC, MUTUAL INDUC and ROTOR TIME CONST motor model parameter.

The OVERLOAD parameter determines the allowed level of motor overload. This can be especially useful when operating with motors smaller than the inverter rating.

Motor Data		
* 50.0 Hz	[1159]	BASE FREQUENCY
* ** 400.0 V	[1160]	MOTOR VOLTAGE
** 20.00 A	[64]	MOTOR CURRENT
** 6.00 A	[65]	MAG CURRENT
* ** 1460.0 rpm	[83]	NAMEPLATE RPM
4 POLE	[84]	MOTOR POLES
VOLTS / HZ	[1157]	CONTROL MODE
** 11.00 kW	[1158]	POWER
* ** STAR	[124]	MOTOR CONNECTION
** 0.86	[242]	POWER FACTOR
** 2.0	[1164]	OVERLOAD
** 0.7698 Ohm	[119]	STATOR RES
** 24.50 mH	[120]	LEAKAGE INDUC
** 98.01 mH	[121]	MUTUAL INDUC
** 379.56 ms	[1163]	ROTOR TIME CONST

Note: Do not attempt to control motors whose rated current is less than 50% of the drive rated current. Poor motor control or Autotune problems may occur if you do.



Parameter Descriptions

BASE FREQUENCY  **PAR\ P7** *Range: 7.5 to 240.0Hz*

This parameter contains the motor nameplate base frequency. Refer to FLUXING, page 1-35.

MOTOR VOLTAGE  **SET\CTRL CL12** *Range: 0.0 to 575.0V*

This parameter contains the motor nameplate voltage at base frequency. Refer to VOLTAGE CONTROL, page 1-91.

MOTOR CURRENT  **PAR\ P6 &** *Range: 0.01 to 999.99A*
 **SV SET\CTRL CL10**

This parameter contains the motor nameplate full-load line current.

MAG CURRENT  **SET\CTRL CL14** *Range: 0.01 to 999.99A*

This parameter contains the motor model no-load line current as determined by the Autotune, or from the motor nameplate.

NAMEPLATE RPM  **SET\CTRL CL02** *Range: 0.1 to 30000.0 rpm*

This parameter contains the motor nameplate full-load rated speed. This is the motor speed in rpm at base frequency minus full load slip.

MOTOR POLES  **SV SET\CTRL CL11** *Range: Enumerated - see below*

This parameter contains the motor nameplate pole-pairs.

Enumerated Value : Motor Poles

- 0 : 2 pole
- 1 : 4 pole
- 2 : 6 pole
- 3 : 8 pole
- 4 : 10 pole
- 5 : 12 pole

CONTROL MODE **SET\CTRL CL01** *Range: Enumerated - see below*

Determines the main method of motor control used by the drive.

Enumerated Value : Control Mode

- 0 : VOLTS / HZ
- 1 : SENSORLESS VEC

1-52 Programming Your Application

POWER **M SV** SET\CTRL CL15 *Range: 0.00 to 355.00kW*

This parameter contains the motor nameplate power.

MOTOR CONNECTION **M SV** SET\CTRL CL16 *Range: Enumerated - see below*

This parameter contains the motor nameplate connection.

Enumerated Value : Motor Connection

0 : DELTA

1 : STAR

POWER FACTOR *Range: 0.50 to 0.99*

This parameter contains the motor nameplate full-load power factor.

OVERLOAD *Range: 1.0 to 5.0*

This parameter contains the allowable motor overload factor. It is used to match the drive current measurement range to the motor. The drive is set up so that the **Motor Current x Overload** can be measured up to a maximum of 2 x the drive constant torque current rating.

The OVERLOAD parameter has no effect on the current, inverse time or torque limits.

STATOR RES **F M SV** SET\CTRL CL17 *Range: 0.0000 to 250.0000 Ohm*

This parameter contains the motor model per-phase stator resistance as determined by Autotune.

LEAKAGE INDUC **F M SV** SET\CTRL CL18 *Range: 0.00 to 300.00 mH*

This parameter contains the motor model per-phase leakage inductance as determined by Autotune.

MUTUAL INDUC **F M SV** SET\CTRL CL19 *Range: 0.00 to 3000.00 mH*

This parameter contains the motor model per-phase mutual inductance as determined by Autotune.

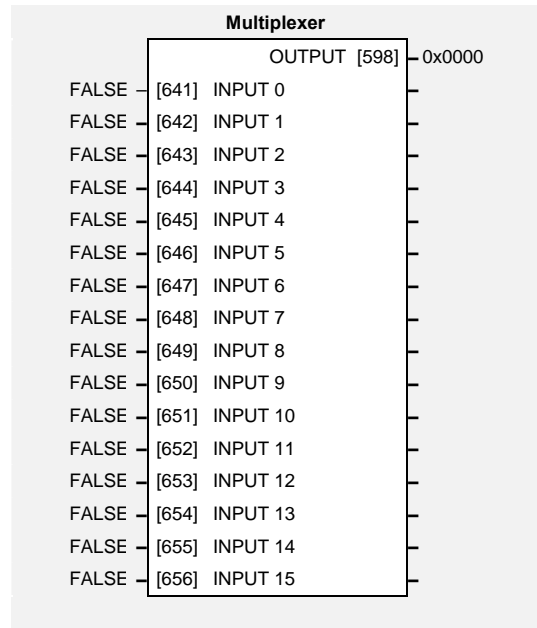
ROTOR TIME CONST **F M SV** SET\CTRL CL1A *Range: 10.00 to 3000.00*

This parameter contains the motor model rotor time constant as determined by Autotune.

MULTIPLEXER

The block collects together 16 Boolean input values into a single word.

For example, it may be used to set and clear individual bits within a word such as the TRIGGERS 1 word for the AUTO RESTART function block.



Parameter Descriptions

INPUT 0 TO INPUT 15

The Boolean inputs to be assembled into a single word.

Range: FALSE / TRUE

OUTPUT

The resulting word.

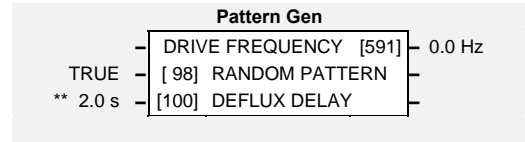
Range: 0000 to FFFF

1-54 Programming Your Application

PATTERN GEN

Designed for all Motor Control Modes.

The pattern generator function block allows you to configure the drive PWM (Pulse Width Modulator) operation.



Parameter Descriptions

RANDOM PATTERN

Range: FALSE / TRUE

This parameter selects between random pattern (quiet motor noise) or the more conventional fixed carrier PWM strategies. When TRUE, random pattern is enabled.

DEFLUX DELAY

Range: 0.1 to 10.0 s

Sets the minimum allowed delay between disabling and then re-enabling PWM production (i.e. stopping and starting the drive).

DRIVE FREQUENCY *DIAG 1*

Range: —.x Hz

This indicates the drive output frequency.

Functional Description

The drive provides a unique quiet pattern PWM strategy in order to reduce audible motor noise. The user is able to select between the quiet pattern or the more conventional fixed carrier frequency method. With the quiet pattern strategy selected (random pattern enabled), audible motor noise is reduced to a dull hiss.

PID

This function block allows the drive to be used in applications requiring a trim to the setpoint, depending on feedback from an external measurement device. Typically this will be used for process control, i.e. pressure or flow.

PID	
OUTPUT	[1256] 0.00 %
ERROR	[619] 0.00 %
LIMITING	[1257] FALSE
[1247] SETPOINT	0.00 %
[617] FEEDBACK	0.00 %
[1248] FEED FWD	0.00 %
[618] FEEDBACK GAIN	1.00
[1249] FEED FWD GAIN	0.00
[1250] P GAIN	0.10
[1251] I GAIN	1.00
[1252] D GAIN	0.00
[1253] LIMIT	300.00 %
[1254] ENABLE PID	FALSE
[1098] INTEGRAL DEFEAT	FALSE
[1255] D FILTER TC	0.05 s
[1258] OUTPUT SCALING	1.0000
[318] LOW LIMIT	0.00 %
[319] SYMMETRIC LIMIT	TRUE

Parameter Descriptions

SETPOINT

The input setpoint to the PID block.

Range: -300.00 to 300.00 %

FEEDBACK

The feedback input to the PID block.

Range: -300.00 to 300.00 %

FEED FWD

The feed forward input to the PID block.

Range: -300.00 to 300.00 %

FEEDBACK GAIN PAR\ P505

The feedback gain of the PID block.

Range: -10.00 to 10.00

FEED FWD GAIN

The feed forward gain of the PID block.

Range: -10.00 to 10.00

P GAIN PAR\ P501

The Proportional gain of the PID block.

Range: 0.00 to 100.00

I GAIN PAR\ P502

The Integral gain of the PID block.

Range: 0.00 to 100.00

D GAIN PAR\ P503

The Derivative gain of the PID block.

Range: 0.00 to 100.00

LIMIT PAR\ P506

This parameter determines the maximum positive limit of the PID output. When SYMMETRIC LIMIT is TRUE this parameter also determines the maximum negative limit of the PID output.

Range: 0.00 to 300.00 %

ENABLE PID

When TRUE, the PID output operates normally; when FALSE, the output is zero and the integral term is reset to zero.

Range: FALSE / TRUE

INTEGRAL DEFEAT

This parameter resets the integral term to zero when TRUE.

Range: FALSE / TRUE

D FILTER TC PAR\ P504

In order to help attenuate high frequency noise on the PID output, a first order output filter has

Range: 0.05 to 5.00 s

1-56 Programming Your Application

Parameter Descriptions

been provided. This parameter determines the output filter time constant.

OUTPUT *Range: xx.xx %*

The output of the PID function.

ERROR *Range: xx.xx %*

The result of SETPOINT - FEEDBACK x FEEDBACK GAIN.

LIMITING *Range: FALSE / TRUE*

This output is TRUE if the output is at the LIMIT value.

OUTPUT SCALING *Range: -3.0000 to 3.0000*

This parameter represents an overall scaling factor which is applied after the PID positive and negative clamps.

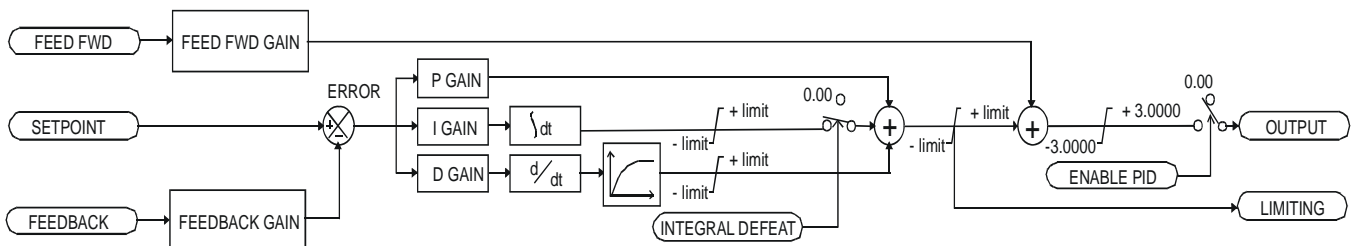
LOW LIMIT *Range: -300.00 to 0.00*

When SYMMETRIC LIMIT is FALSE, this LOW LIMIT parameter defines the minimum value of the output.

SYMMETRIC LIMIT *Range: FALSE / TRUE*

Affects the operation of LIMIT and LOW LIMIT. When TRUE, (symmetrical), the single LIMIT parameter is used for both the positive and negative limit values. When FALSE the limit values may be different, LIMIT is used for the upper limit and LOW LIMIT is used for the lower limit.

Functional Description

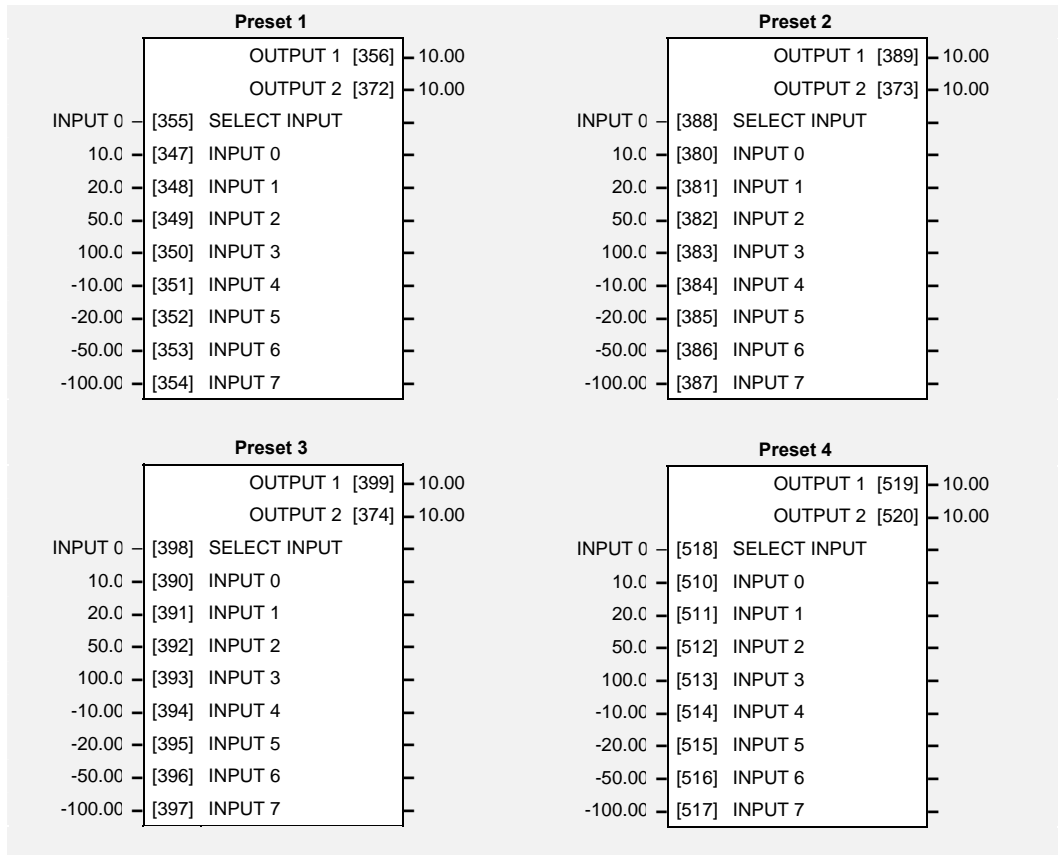


For an application that requires closed loop control, the error term may be derived from the setpoint and feedback using a value function block. This error term is then used by the PID. The output of the PID may be used to trim the demand setpoint via the SPEED TRIM parameter in the REFERENCE function block.

PRESET

Each block is used to select a value from one of eight inputs, depending on the value of another input. A second output is provided to allow the block to be used as two banks of four inputs.

The Range of preset inputs is -32768.0 to 32767.



Parameter Descriptions

SELECT INPUT

Range: Enumerated - see below

Determines which of the inputs is routed to OUTPUT 1 . In addition, if SELECT INPUT is in the range 0 to 3, INPUT 4 to INPUT 7 respectively is routed to OUTPUT 2.

Enumerated Value : Select Input

- 0 : INPUT 0
- 1 : INPUT 1
- 2 : INPUT 2
- 3 : INPUT 3
- 4 : INPUT 4
- 5 : INPUT 5
- 6 : INPUT 6
- 7 : INPUT 7

INPUT 0 TO INPUT 7

PAR\ P301 to P308

Range: -300.00 to 300.00

Inputs to the Preset block.

OUTPUT 1

Range: —.xx

Selected input.

OUTPUT 2

Range: —.xx

Selected input (if SELECT INPUT is in the correct range).

1-58 Programming Your Application

Functional Description

The Preset function block is a de-multiplexer.

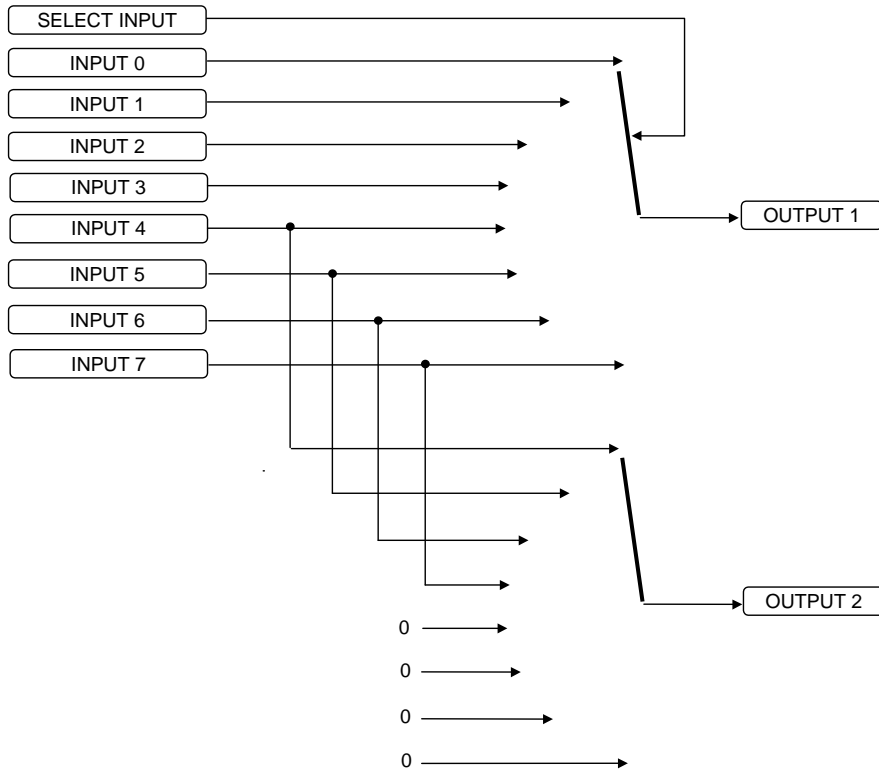
OUTPUT 1 and OUTPUT 2 return the values at selected inputs set by SELECT INPUT.

OUTPUT 2 returns the value of a different input to OUTPUT 1, i.e:

if SELECT INPUT = 0 then OUTPUT 1 = INPUT 0, OUTPUT 2 = INPUT 4

if SELECT INPUT = 1 then OUTPUT 1 = INPUT 1, OUTPUT 2 = INPUT 5 etc.

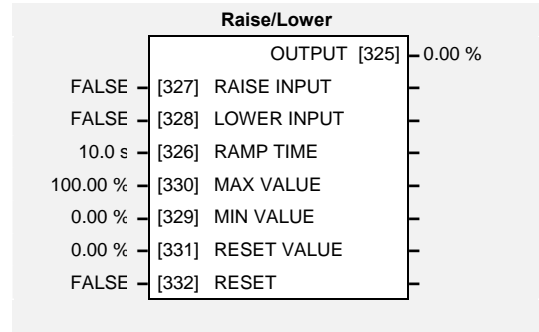
When SELECT INPUT is set to 4, 5, 6 or 7, OUTPUT 2 will return a value of zero.



RAISE/LOWER

This function block acts as an internal motorised potentiometer (MOP).

The OUTPUT is preserved during power-down of the drive.



Parameter Descriptions

RAISE INPUT

Range: FALSE / TRUE

When TRUE causes OUTPUT to ramp up.

LOWER INPUT

Range: FALSE / TRUE

When TRUE causes OUTPUT to ramp down.

RAMP TIME

PAR\ P401

Range: 0.0 to 600.0 s

Rate of change of the OUTPUT . Defined as time to change from 0.00% to 100.00% . Note that the raise and lower rates are always the same.

MAX VALUE

PAR\ P402

Range: -100.00 to 100.00 %

The maximum value to which OUTPUT will ramp up to.

MIN VALUE

PAR\ P403

Range: -100.00 to 100.00 %

The minimum value to which OUTPUT will ramp down to.

RESET VALUE

PAR\ P404

Range: -100.00 to 100.00 %

The value the OUTPUT is set to when RESET is TRUE.

RESET

Range: FALSE / TRUE

When TRUE, forces OUTPUT to track RESET VALUE .

OUTPUT

Range: —.xx %

The ramped output. This parameter is persistent, that is, it is saved throughout a power failure.

Functional Description

The table below describes how OUTPUT is controlled by the RAISE INPUT, LOWER INPUT and RESET inputs.

RESET	RAISE INPUT	LOWER INPUT	Action
TRUE	Any	Any	OUTPUT tracks RESET VALUE
FALSE	TRUE	FALSE	OUTPUT ramps up to MAX VALUE at RAMP TIME
FALSE	FALSE	TRUE	OUTPUT ramps down to MIN VALUE at RAMP TIME
FALSE	FALSE	FALSE	OUTPUT not changed. *
FALSE	TRUE	TRUE	OUTPUT not changed. *

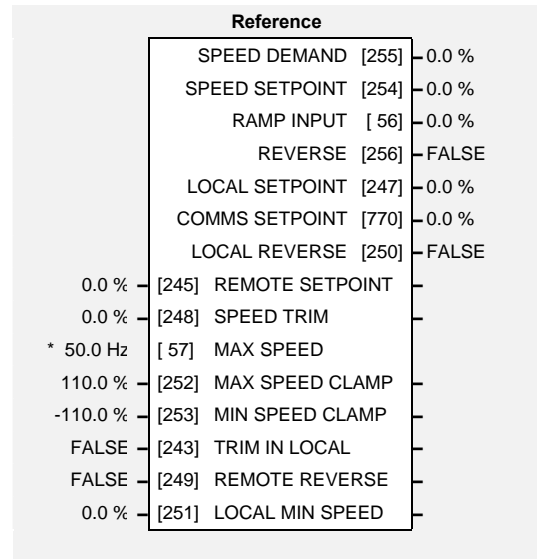
* If OUTPUT is greater than MAX VALUE the OUTPUT will be clamped MAX VALUE. If OUTPUT is less than MIN VALUE the OUTPUT be clamped to MIN VALUE.

If MAX VALUE is less than MIN VALUE then MAX VALUE will be used as the lower limit, and MIN VALUE will be used as the upper limit.

1-60 Programming Your Application

REFERENCE

This function block holds all the parameters concerning the generation of the setpoint reference.



Parameter Descriptions

REMOTE SETPOINT

Range: -110.0 to 110.0 %

This is the target reference that the drive will ramp to in remote reference mode (not including trim), direction is taken from REMOTE REVERSE and the sign of REMOTE SETPOINT.

SPEED TRIM

Range: -110.00 to 110.00 %

The trim is added to the ramp output in remote mode (or if TRIM IN LOCAL is TRUE) to form SPEED DEMAND. The trim is typically connected to the output of a PID in a closed loop system. Note that the output of the REFERENCE RAMP block is set to - SPEED TRIM when the drive is started. This ensures that the SPEED DEMAND ramps from zero.

MAX SPEED

M PAR\ P2

Range: 7.5 to 300.0 Hz

The maximum speed of the drive in electrical Hertz (Hz).

MAX SPEED CLAMP

Range: 0.0 to 110.0 %

Maximum value for SPEED DEMAND.

MIN SPEED CLAMP

Range: -110.0 to 0.0 %

Minimum value for SPEED DEMAND.

TRIM IN LOCAL

Range: FALSE / TRUE

When TRUE, SPEED TRIM is always added to the ramp output. When FALSE, SPEED TRIM is added only in Remote mode.

REMOTE REVERSE

Range: FALSE / TRUE

Demanded direction when in Remote Reference mode. This is usually connected directly to the Sequencing Logic.

LOCAL MIN SPEED

F SET\SETP ST51

Range: 0.0 to 100.0 %

The magnitude of the minimum setpoint that will be used when running in Local Mode.

SPEED DEMAND

Range: —.x %

Indicates actual speed demand. This is the input to the frequency controller.

SPEED SETPOINT

DIAG 2

Range: —.x %

This diagnostic indicates target speed. This will be equal to either LOCAL SETPOINT, REMOTE SETPOINT, JOG SETPOINT or COMMS SETPOINT. (Refer to the REFERENCE JOG function block for the JOG SETPOINT parameter).

Parameter Descriptions

RAMP INPUT

Range: —.x %

The RAMP INPUT diagnostic is the same as the SPEED SETPOINT when the drive is running normally. When the drive is stopped or stopping RAMP INPUT will be set to zero.

REVERSE

Range: FALSE / TRUE

Indicates demanded direction. This may not be the actual direction as no account of setpoint sign is taken.

LOCAL SETPOINT

Range: —.x %

Indicates the Operator Station setpoint. It is saved on power down. Direction is taken from LOCAL REVERSE.

COMMS SETPOINT

Range: —.x %

This setpoint is the target reference that the drive will ramp to in Remote Reference Comms mode (not including trim). The direction is always positive, i.e. forward.

LOCAL REVERSE

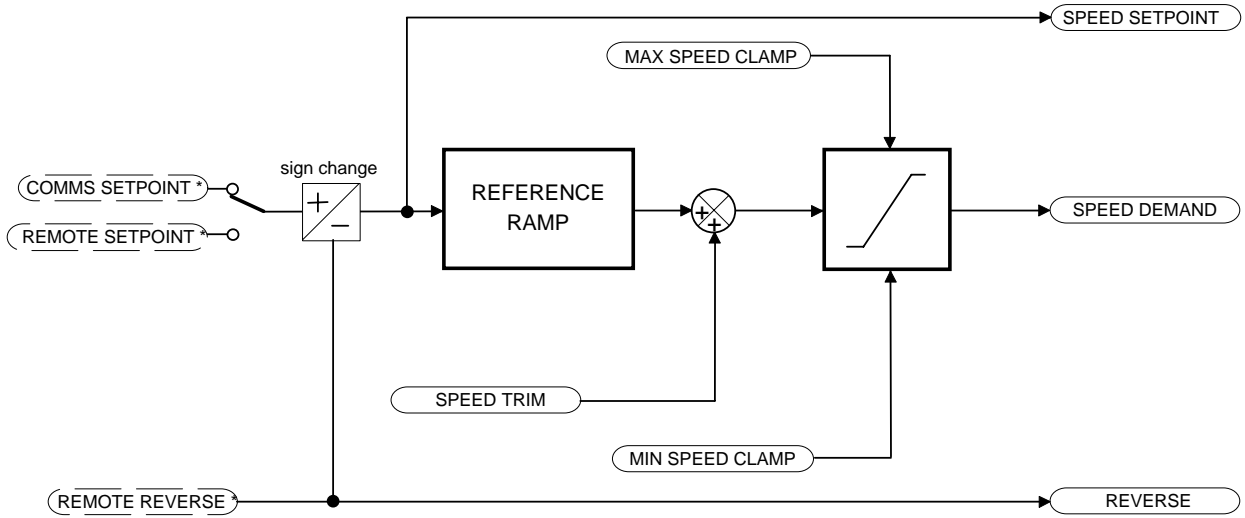
Range: FALSE / TRUE

Indicates demanded direction in Local Reference mode, saved on power-down.

1-62 Programming Your Application

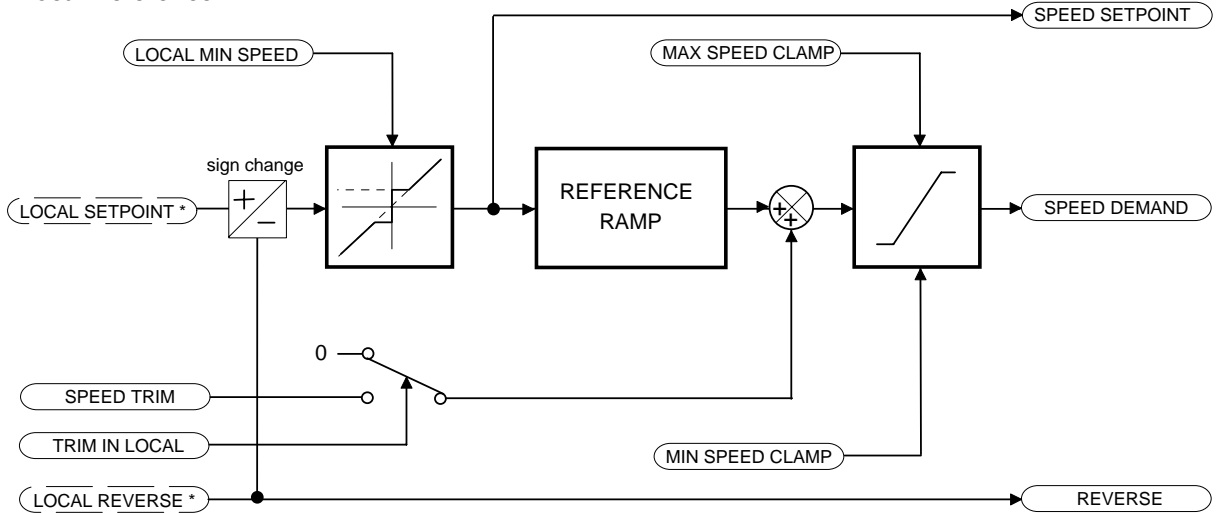
Functional Description

Remote Reference



- * Set only from Comms using tag 269 (readable as tag 770 in block diagram)
 REMOTE SETPOINT if Remote Reference Terminal mode
 COMMS SETPOINT if Remote Reference Comms mode
 (Mode is selectable in COMMS CONTROL block)

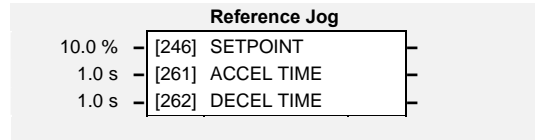
Local Reference



- * Set only from the Operator Station

REFERENCE JOG

This block holds all the parameters that concern the Jog functionality on the drive.



Parameter Descriptions

SETPOINT *PAR\ P8* *Range: -100.0 to 100.0 %*

The setpoint is the target reference that the drive will ramp to.

ACCEL TIME *SET\SETP ST01* *Range: 0.0 to 3000.0 s*

The time that the drive will take to ramp the jog setpoint from 0.00% to 100.00%.

DECEL TIME *SET\SETP ST02* *Range: 0.0 to 3000.0 s*

The time that the drive will take to ramp the jog setpoint from 100.00% to 0.00%.

Functional Description

The REFERENCE JOG function block is used to configure the action of the drive when used in jog mode.

Start/Stop Controlled Remotely

When the JOG input is TRUE, the SPEED DEMAND (REFERENCE function block) ramps up to the jog SETPOINT at a ramp rate set by jog ACCEL TIME. The drive will continue to run at the jog SETPOINT while the JOG input remains TRUE.

Start/Stop Controlled Locally (6901 keypad)

When the JOG key is pressed and held, the SPEED DEMAND (REFERENCE function block) ramps up to the jog SETPOINT at a ramp rate set by jog ACCEL TIME. Release the jog key to "stop" the drive.

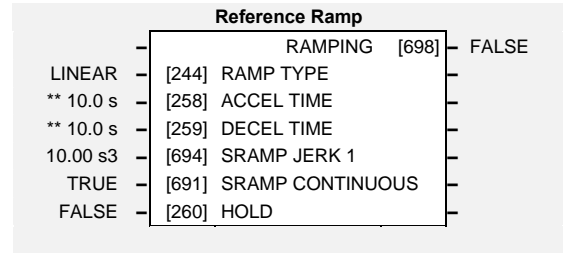
Interaction between RUN and JOG

Only one of these signals can be in effect at any one time; the other signal is ignored. The drive must be "stopped" to change from running to jogging, or vice versa.

1-64 Programming Your Application

REFERENCE RAMP

This function block forms part of the reference generation. It provides the facility to control the rate at which the drive will respond to a changing setpoint demand.



Parameter Descriptions

RAMP TYPE *SET\SETP ST03* *Range: Enumerated - see below*

Select the ramp type:

Enumerated Value : Ramp Type

- 0 : LINEAR
- 1 : S

ACCEL TIME *PAR\ P4* *Range: 0.0 to 3000.0 s*

The time that the drive will take to ramp the setpoint from 0.00% to 100.00%.

DECEL TIME *PAR\ P5* *Range: 0.0 to 3000.0 s*

The time that the drive will take to ramp the setpoint from 100.00% to 0.00%.

SRAMP JERK 1 *SET\SETP ST04* *Range: 0.00 to 100.00 s³*

Rate of change of acceleration for the first segment of the curve in units per second³, i.e. if the full speed of the machine is 1.25m/s then the acceleration will be:

$$1.25 \times 50.00\% = 0.625\text{m/s}^3$$

SRAMP CONTINUOUS *SET\SETP ST05* *Range: FALSE / TRUE*

When TRUE, and S ramp is selected in RAMP TYPE, forces a smooth transition if the speed setpoint is changed when ramping. The curve is controlled by the SRAMP ACCEL and SRAMP JERK 1 to SRAMP JERK 4 parameters. When FALSE, there is an immediate transition from the old curve to the new curve.

RAMP HOLD *Range: FALSE / TRUE*

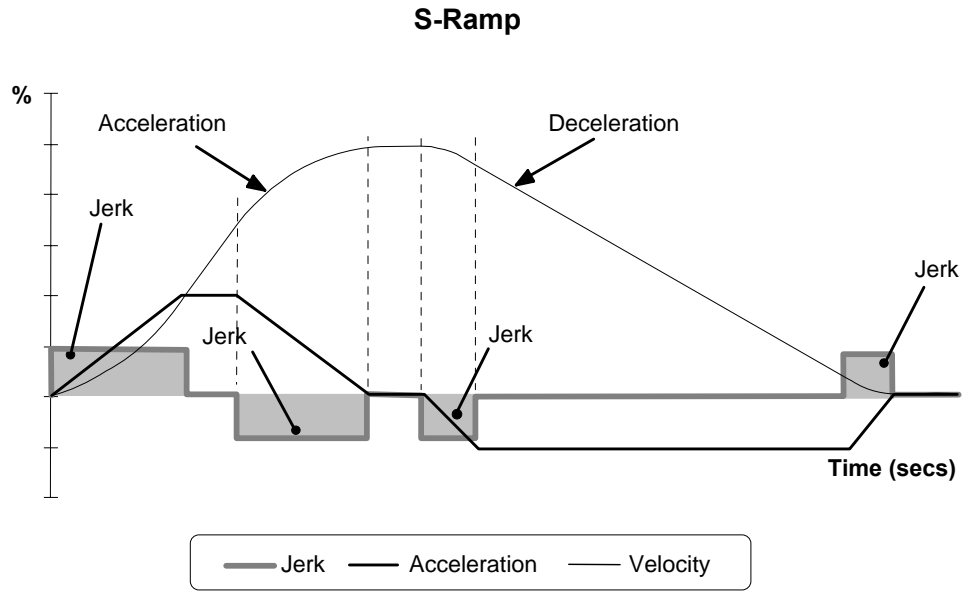
When TRUE the output of the ramp is held at its last value.

RAMPING *Range: FALSE / TRUE*

Set TRUE when ramping.

Functional Description

The ramp output takes the form shown below.



1-66 Programming Your Application

REFERENCE STOP

This function block holds all the parameters concerning the stopping method of the drive.

Reference Stop		
RAMPED	[279]	RUN STOP MODE
10.0 s	[263]	STOP TIME
0.1 %	[266]	STOP ZERO SPEED
0.5 s	[284]	STOP DELAY
RAMPED	[304]	FAST STOP MODE
30.0 s	[275]	FAST STOP LIMIT
0.1 s	[264]	FAST STOP TIME
1200 Hz/s	[126]	FINAL STOP RATE

Parameter Descriptions

RUN STOP MODE *PAR\ P9* *Range: Enumerated - see below*
 Selects stopping mode that the controller will use once the run command has been removed. The choices are:

Enumerated Value : Stopping Mode

- 0 : RAMPED
- 1 : COAST
- 2 : DC INJECTION

When RAMPED is selected the drive will decelerate using the reference ramp deceleration time, provided it is non zero. When COAST is selected the motor will free-wheel. When DC INJECTION is selected the motor is stopped by applying dc current.

STOP TIME *Range: 0.0 to 600.0 s*
 Rate at which the demand is ramped to zero after the ramp has been quenched.

STOP ZERO SPEED *Range: 0.0 to 100.0 %*
 Threshold for zero speed detection used by stop sequences.

STOP DELAY *Range: 0.0 to 30.0 s*
 Sets the time at which the drive holds zero speed before quenching after a normal stop or a jog stop. This may be particularly useful if a mechanical brake requires time to operate at zero speed, or for jogging a machine to position.

FAST STOP MODE *Range: Enumerated - see below*
 Selects stopping mode used during a fast stop, two options ramped or coast.
Enumerated Value : Stopping Mode

- 0 : RAMPED
- 1 : COAST

FAST STOP LIMIT *Range: 0.0 to 3000.0 s*
 Maximum time that the drive will try to Fast Stop, before quenching.

FAST STOP TIME *Range: 0.0 to 600.0 s*
 Rate at which the SPEED DEMAND is ramped to zero (see REFERENCE function block)

FINAL STOP RATE *Range: 12 to 4800 Hz/s*
 Rate at which any internally generated setpoint trims are removed. For example, the trim due to the slip compensation block.

SEQUENCING LOGIC

This function block contains all the parameters relating to the sequencing (start and stop) of the drive.

Before the drive will respond to the RUN FWD, RUN REV or JOG parameters (cause the drive to run or jog), the parameters DRIVE ENABLE, NOT FAST STOP and NOT COAST STOP need to be set to TRUE. In addition, the drive needs to be healthy (HEALTHY is TRUE). The drive will only respond to RUN FWD, RUN REV and JOG if the drive is in the Remote Sequencing mode.

If RUN FWD and RUN REV are TRUE, both are ignored and the drive will stop.

Sequencing Logic		
	TRIPPED	[289] FALSE
	RUNNING	[285] FALSE
	JOGGING	[302] FALSE
	STOPPING	[303] FALSE
	OUTPUT CONTACTOR	[286] FALSE
	SWITCH ON ENABLE	[288] TRUE
	SWITCHED ON	[306] FALSE
	READY	[287] FALSE
	SYSTEM RESET	[305] FALSE
	SEQUENCER STATE	[301] START ENABLED
	REMOTE REV OUT	[296] FALSE
	HEALTHY	[274] TRUE
	FAN RUNNING	[620] FALSE
FALSE	[291] RUN FORWARD	
FALSE	[292] RUN REVERSE	
FALSE	[293] NOT STOP	
FALSE	[280] JOG	
TRUE	[1235] CONTACTOR CLOSED	
TRUE	[276] DRIVE ENABLE	
TRUE	[277] NOT FAST STOP	
TRUE	[278] NOT COAST STOP	
FALSE	[294] REMOTE REVERSE	
FALSE	[282] REM TRIP RESET	
TRUE	[290] TRIP RST BY RUN	
TRUE	[283] POWER UP START	
TRUE	[1686] START DELAY	

Parameter Descriptions

RUN FWD

Range: FALSE / TRUE

Setting this parameter to TRUE causes the drive to run in the forward direction.

RUN REV

Range: FALSE / TRUE

Setting this parameter to TRUE causes the drive to run in the reverse direction.

NOT STOP

Range: FALSE / TRUE

Setting this parameter TRUE will latch the RUN FWD or RUN REV commands. Once latched, they can be reset to FALSE and the drive will continue to run. Setting NOT STOP to FALSE causes the run commands to be unlatched.

JOG

Range: FALSE / TRUE

Setting this parameter TRUE causes the drive to run at the speed set by JOG SETPOINT (refer to the REFERENCE JOG function block). Once jogging, setting JOG to FALSE causes the drive to ramp to zero.

CONTACTOR CLOSED

Range: FALSE / TRUE

Feedback used to indicate that the external contactor has been closed. It must be TRUE for the sequencer to proceed from the SWITCHED ON state to the READY STATE, refer to SEQUENCER STATE.

DRIVE ENABLE

Range: FALSE / TRUE

This provides a means of electronically inhibiting drive operation. Whilst running, setting this parameter to FALSE disables the drive operation and causes the motor to coast.

NOT FAST STOP

Range: FALSE / TRUE

Whilst running or jogging, setting this parameter to FALSE causes the drive to ramp to zero. The rate is set by FAST STOP RATE in the STOP function block. The action of setting NOT FAST STOP to TRUE is latched. The drive cannot be restarted until fast stop is completed. This signal is effective even when the drive is in Local mode.

1-68 Programming Your Application

Parameter Descriptions

NOT COAST STOP

Range: FALSE / TRUE

Setting this parameter to FALSE disables the drive operation and causes the motor to coast. The action of setting this parameter to TRUE is latched. The drive can not be restarted until the coast stop is completed. This signal is effective even when the drive is in Local mode.

REMOTE REVERSE

Range: FALSE / TRUE

For remote setpoints, setting this to TRUE inverts the demanded direction of motor rotation.

REM TRIP RESET

Range: FALSE / TRUE

On a transition to TRUE, this input clears latched trips.

TRIP RST BY RUN

Range: FALSE / TRUE

This allows the rising edge of run command to clear latched trips.

POWER UP START

Range: FALSE / TRUE

If TRUE, this allows the drive to go directly to run mode if in remote and a run command is present. If FALSE, a low to high transition of the run command is required.

START DELAY

Range: 0.000 to 30.000

Delays the action of “ramping to setpoint” from the Run command. This can allow a period for motor flux to establish before the ramp to setpoint.

RUNNING

Range: FALSE / TRUE

Indicates that that the drive is in the enabled state.

JOGGING

Range: FALSE / TRUE

Indicates that the drive is in the JOG mode.

STOPPING

Range: FALSE / TRUE

Indicates that the drive is stopping.

OUTPUT CONTACTOR

Range: FALSE / TRUE

Output to be used to drive an external contactor in the motor output. This contactor is normally closed unless a Trip condition has occurred or the drive goes into the re-configuration mode.

SWITCH ON ENABLE

Range: FALSE / TRUE

Sometimes referred to as READY TO SWITCH ON, this parameter indicates that the drive will accept a run command.

SWITCHED ON

Range: FALSE / TRUE

Run accepted. Waiting for CONTACTOR CLOSED and deflux to be completed

READY

Range: FALSE / TRUE

Indicates that the drive's power stack is operable and the drive will run if enabled.

SYSTEM RESET

Range: FALSE / TRUE

TRUE for a single block diagram execution cycle after drive enters either RUN or JOG mode.

SEQUENCER STATE

Range: Enumerated - see below

This parameter indicates the current sequencing state:

Enumerated Value : State

- 0 : START DISABLED
- 1 : START ENABLED
- 2 : SWITCHED ON
- 3 : READY
- 4 : ENABLED
- 5 : F-STOP ACTIVE
- 6 : TRIP ACTIVE
- 7 : TRIPPED

REMOTE REV OUT

Range: FALSE / TRUE

This parameter indicates the current state of remote direction and RUN REV. Note - this is the demanded direction, not the actual direction.

Parameter Descriptions

HEALTHY

Range: FALSE / TRUE

Set FALSE when the drive trips, and set TRUE when the run command is removed. This output is False while the pre-charge relay is open on power-up.

FAN RUNNING

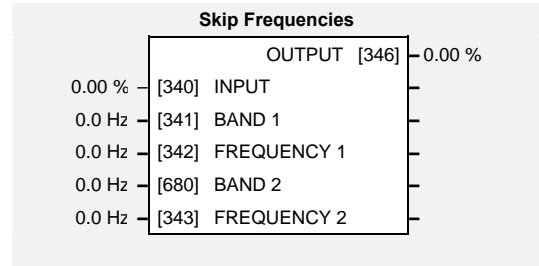
Range: FALSE / TRUE

This diagnostic is TRUE is the drive's cooling fans are running.

1-70 Programming Your Application

SKIP FREQUENCIES

This function block may be used to prevent the drive operating at frequencies that cause mechanical resonance in the load.



Parameter Descriptions

INPUT

The value of the block input in %.

Range: -300.00 to 300.00 %

BAND 1

SET\SETP ST12

The width of each skip band in Hz.

Range: 0.0 to 60.0 Hz

FREQUENCY 1

SET\SETP ST11

This parameter contains the centre frequency of each skip band in Hz.

Range: 0.0 to 240.0 Hz

BAND 2

SET\SETP ST14

The width of each skip band in Hz.

Range: 0.0 to 60.0 Hz

FREQUENCY 2

SET\SETP ST13

This parameter contains the centre frequency of each skip band in Hz.

Range: 0.0 to 240.0 Hz

OUTPUT

Diagnostic on the output of the function block in %

Range: —.xx %

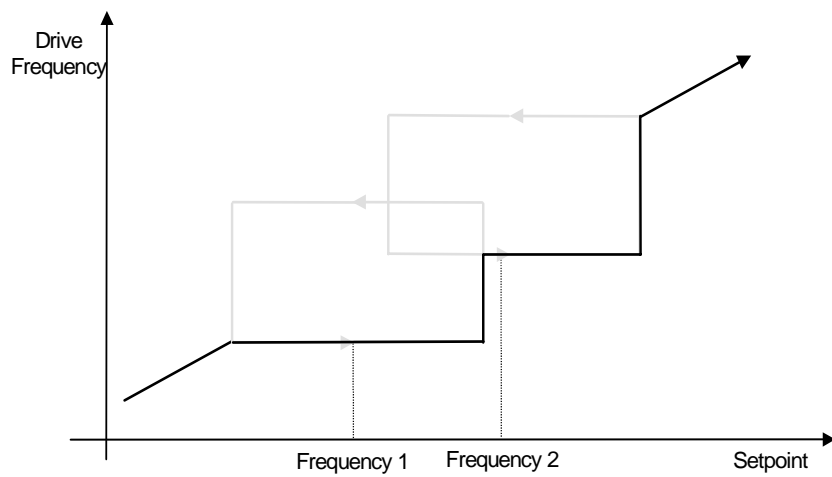
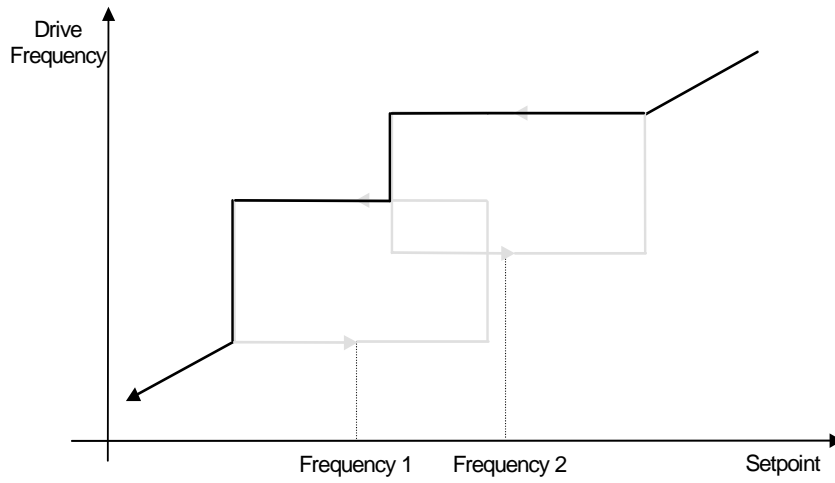
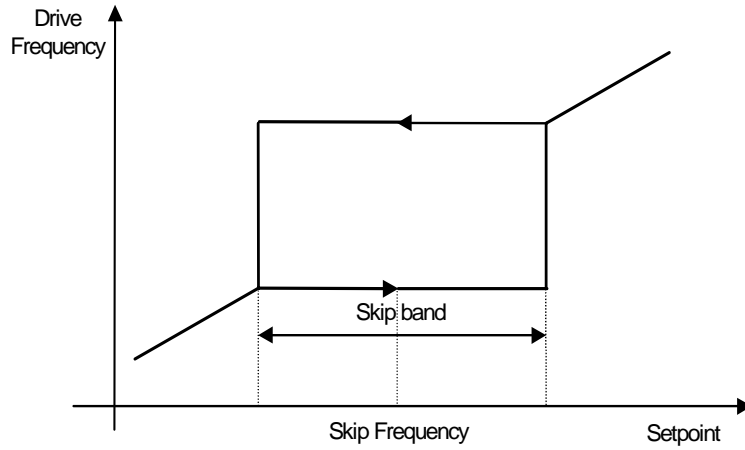
Functional Description

Two programmable skip frequencies are available to avoid resonances within the mechanical system. Enter the value of frequency that causes the resonance using the “FREQUENCY” parameter and then programme the width of the skip band using its “BAND” parameter. The drive will then avoid sustained operation within the forbidden band as shown in the diagram. The skip frequencies are symmetrical and thus work in forward and reverse.

Note: *Setting the FREQUENCY to 0 disables the corresponding band.
Setting the BAND to 0 causes the value of BAND 1 to be used for this band.*

Programming Your Application 1-71

The behaviour of this function block is illustrated below.

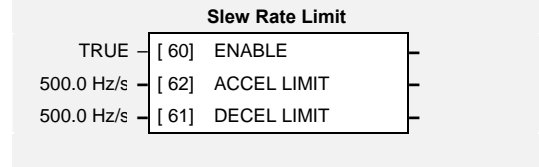


1-72 Programming Your Application

SLEW RATE LIMIT

Designed for all Motor Control Modes.

This function block prevents over-current and over-voltage faults occurring due to a rapidly changing setpoint.



Parameter Descriptions

ENABLE

Range: FALSE / TRUE

When this parameter is FALSE, this function block is disabled and the setpoint is unaffected by this function block.

ACCEL LIMIT

Range: 1.0 to 1200.0 Hz/s

The maximum rate at which the setpoint may accelerate away from zero.

DECEL LIMIT

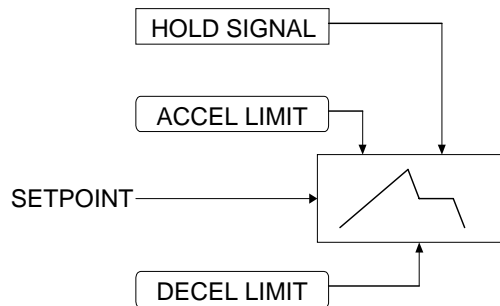
Range: 1.0 to 1200.0 Hz/s

The maximum rate at which the setpoint may decelerate towards zero.

Functional Description

The SLEW RATE LIMIT block obtains the setpoint from the output of the application, correctly scaled by the SETPOINT SCALE block. The rate of change limits are applied and the setpoint is then passed on for further processing.

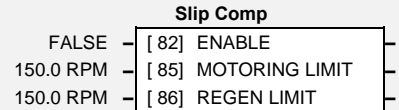
When the braking block determines that the internal dc link voltage is too high it issues a Hold signal. This causes the SLEW RATE LIMIT block to hold the setpoint at its current value. This typically lasts for only 1ms, time for the excess energy to be dumped into the braking resistor.



SLIP COMP

Designed for VOLTS/Hz motor Control Mode.

The slip compensation function block allows the drive to maintain motor speed in the presence of load disturbances.



Parameter Descriptions

ENABLE

VF SET\CTRL CL04

Range: FALSE / TRUE

For the slip compensation to be operational this must be TRUE. Eliminates motor speed variations under load conditions in V/F fluxing mode when the correct value for MAG CURRENT is entered into ^SCL14

MOTORING LIMIT

Range: 0.0 to 600.0 rpm

The maximum trim that will be produced by the slip compensation block when the motor is driving the load (motoring).

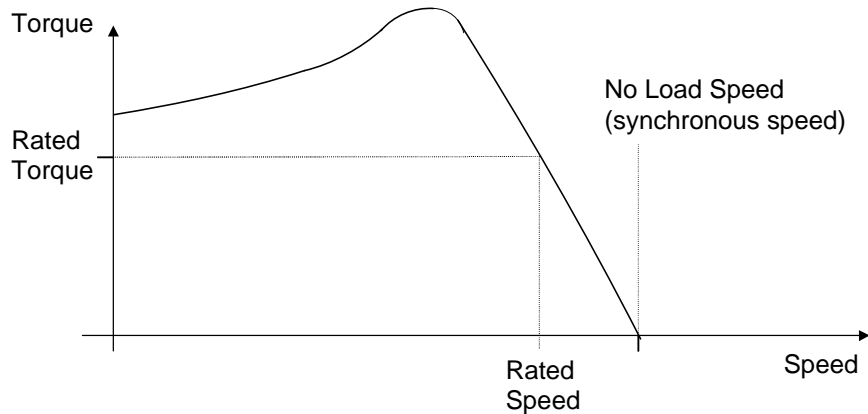
REGEN LIMIT

Range: 0.0 to 600.0 rpm

The maximum trim that will be produced by the slip compensation block when the motor is being driven by the load, (regenerating).

Functional Description

Based on the rated speed, the no load speed and the rated load of the motor, the slip compensation block adjusts the demand frequency to compensate for any speed slippage resulting from the load.



1-74 Programming Your Application

SPEED LOOP

Designed for SENSORLESS VEC Motor Control Mode.

This function block controls the speed of the motor by comparing the actual speed to the demanded speed, and applying more or less torque in response to the error.

Fixed Inputs and Outputs

Speed Demand

This is connected to the output of the SETPOINT SCALE function block.

Speed Feedback

When configured as SENSORLESS VEC, the speed feedback is calculated from the voltages and currents in the motor.

Torque Demand

The output of the SPEED LOOP function block is a torque demand. This torque demand is passed on to the TORQUE LIMIT function block, which causes the torque to be generated in the motor.

Speed Loop		
-	TOTL SPD DMD RPM [1203]	0.00 RPM
-	TOTAL SPD DMD % [1206]	0.00 %
-	SPEED ERROR [1207]	0.00 %
-	TORQUE DEMAND [1204]	0.00 %
** 20.00	[1187] SPEED PROP GAIN	
** 100 ms	[1188] SPEED INT TIME	
FALSE	[1189] INT DEFEAT	
0.00 %	[1190] SPEED INT PRESET	
3.0 ms	[1191] SPEED DMD FILTER	
1.5 ms	[1192] SPEED FBK FILTER	
0.00 %	[1193] (AUX) TORQUE DMD	
5.00 %	[1194] ADAPTIVE THRESH	
20.00	[1195] ADAPTIVE P-GAIN	
110.00 %	[1200] SPEED POS LIM	
-110.00 %	[1201] SPEED NEG LIM	
FALSE	[1202] TORQ CTRL MODE	

Parameter Descriptions

SPEED PROP GAIN F M SV Range: 0.00 to 300.00
SET\CTRL CL91

Sets the proportional gain of the loop.
Speed error (revolutions per second) x proportional gain = torque percent.

SPEED INT TIME F M SV Range: 1 to 15000 ms
SET\CTRL CL92

This is the integral time constant of the speed loop. A speed error which causes the proportional term to produce a torque demand T, will cause the integral term to also ramp up to a torque demand T after a time equal to "speed int time".

INT DEFEAT Range: FALSE / TRUE

When TRUE, the integral term does not operate.

SPEED INT PRESET Range: -500.00 to 500.00 %

The integral term will be preset to this value when the drive starts.

SPEED DMD FILTER Range: 0.0 to 14.0 ms

The speed demand is filtered to reduce ripple. The filter is first order with time constant equal to the value of this parameter.

SPEED FBK FILTER Range: 0.0 to 15.0 ms

The speed feedback is filtered to reduce ripple, such as that caused by low line count encoders. The filter is first order with time constant equal to the value of this parameter.

(AUX) TORQUE DMD Range: -300.00 to 300.00 %

When the drive is operating in speed control mode, the value of this parameter is added on to the torque demand produced by the speed loop PI. When the drive is operating in torque control mode (i.e. "TORQ CTRL MODE is TRUE) the speed loop PI does not operate and the torque demand becomes the value of this parameter..

ADAPTIVE THRESH 5.00% Range: 0.00 to 10.00 %

Below the threshold, the speed loop P gain is ADAPTIVE P_GAIN.

Parameter Descriptions

ADAPTIVE P-GAIN 20.00 *Range: 0.00 to 300.00*

When the speed is more than twice the threshold the speed loop P gain is SPEED PROP GAIN. Between these two values of speed, the P gain is linearly interpolated from ADAPTIVE P-GAIN to SPEED PROP GAIN.

SPEED POS LIM **F SV** SET\CTRL CL93 *Range: -110.00 to 110.00 %*

This sets the upper limit of the speed demand.

SPEED NEG LIM **F SV** SET\CTRL CL94 *Range: -110.00 to 110.00 %*

This sets the lower limit of the speed demand.

TORQ CTRL MODE *Range: FALSE / TRUE*

Selects between Speed Control mode and Torque Control mode. When TRUE, (Torque Control mode) the torque demand output from the speed loop block is the sum of the Direct Input plus the AUX TORQUE DMD parameter.

TOTL SPD DMD RPM *Range: —.xx rpm*

This shows the final values of the speed demand obtained after summing all sources. It is the value presented to the speed loop.

TOTAL SPD DMD % *Range: —.00 %*

This shows the final values of the speed demand obtained after summing all sources. It is the value presented to the speed loop.

SPEED ERROR *Range: —.00 %*

Shows the difference between the demanded speed and the actual speed.

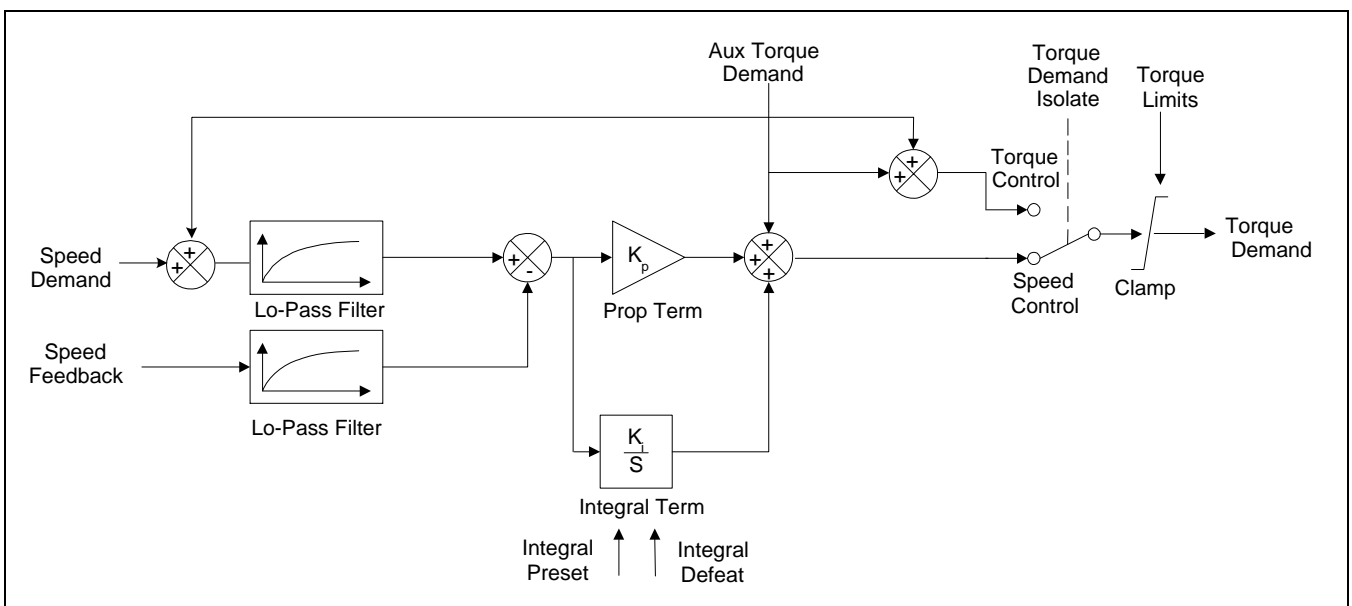
TORQUE DEMAND *Range: —.00 %*

Shows the demanded motor torque as a percentage of rated motor torque.

Functional Description

The speed error (speed demand minus speed feedback) is calculated and processed via a proportional + integral (PI) controller. The output of the PI controller is a torque demand, which is passed directly to the torque control block.

The speed demand is derived from the Setpoint Scale block. When the drive is in SENSORLESS VEC mode, the speed feedback is calculated from the voltages and currents in the motor.



1-76 Programming Your Application

STABILISATION

Designed for VOLTS/Hz motor Control Mode.

Stabilisation
TRUE [128] ENABLE

Enabling this function reduces the problem of unstable running in induction motors. This can be experienced at approximately half full speed, and under low load conditions.

Parameter Descriptions

ENABLE

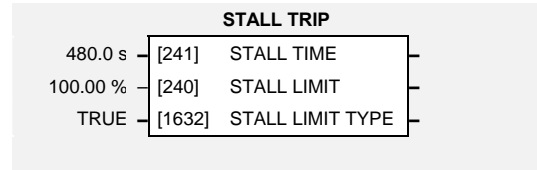
VF SET\CTRL CL05

Range: FALSE / TRUE

Enables (or disables) the stabilisation function.

STALL TRIP

The function block protects the motor from damage that may be caused by continuous operation beyond specification.



Parameter Descriptions

STALL LIMIT

This parameter is now obsolete.

Range: 50.00 to 150.00 %

STALL TIME

The time after which a stall condition will cause a trip.

Range: 0.1 to 3000.0 s

STALL LIMIT TYPE

 SET\CTRL CL84

Range: FALSE / TRUE

This parameter determines whether the stall trip operates on motor torque or motor current.

Enumerated Value : Stall Limit Type

FALSE : TORQUE

TRUE : CURRENT

Functional Description

If STALL LIMIT is set to TORQUE and the estimated load exceeds the active TORQUE LIMIT (refer to the TORQUE LIMIT function block) for a time greater than STALL TIME then the stall trip will become active. The timer is reset whenever the estimated load is less than the active Torque Limit.

Similarly, if the STALL LIMIT is set to CURRENT and the measured current exceeds the active Current Limit (i.e. the drive is in current limit) for a time greater than STALL TIME, the stall trip will become active. The timer is reset whenever the measured current is less than the active Current Limit.

Refer to the Installation Product Manual, Chapter 7 for a description of the trips supported by the drive.

1-78 Programming Your Application

TORQUE LIMIT

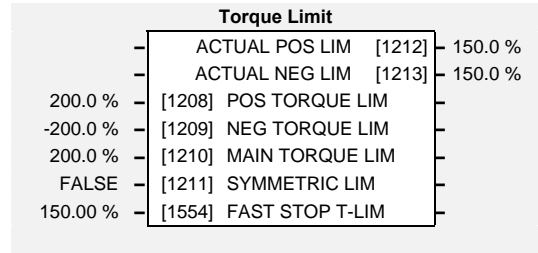
Designed for all Motor Control Modes.

This function block allows you to set the maximum level of motor rated torque which is allowed before torque limit action occurs.

If the estimated motor torque is greater than the ACTUAL POS LIM value, the motor speed is controlled to maintain the torque at this level. A similar situation occurs if the estimated motor torque is less than the ACTUAL NEG LIM value.

The torque limit function block has separate positive and negative torque limits. In addition, a symmetric main torque limit is also provided.

The lowest positive and negative torque limits (including any current limit or inverse time current limit action) is indicated in the ACTUAL POS LIM and ACTUAL NEG LIM diagnostic. These are the final limits used to limit motor torque.



Parameter Descriptions

POS TORQUE LIM **SV** SETCTRL CL82 *Range: -500.0 to 500.0 %*

This parameter sets the maximum allowed level of positive motor torque.

NEG TORQUE LIM **SV** SETCTRL CL83 *Range: -500.0 to 500.0 %*

This parameter sets the maximum allowed level of negative motor torque

MAIN TORQUE LIM *Range: 0.0 to 300.0 %*

This parameter sets the symmetric limit on the maximum allowed motor torque.

SYMMETRIC LIM *Range: FALSE / TRUE/*

When TRUE, the NEG TORQUE LIM is forced to reflect the POS TORQUE LIM parameter.

FAST STOP T-LIM *Range: 0.00 to 300.00 %*

This parameter sets the torque limit used during a Fast Stop.

ACTUAL POS LIM *Range: —.0 %*

This indicates the final actual positive torque limit including any current limit or inverse time current limit action.

ACTUAL NEG LIM *Range: —.0 %*

This indicates the final actual negative torque limit including any current limit or inverse time current limit action.

TRIPS HISTORY

This function block records the last ten trips that caused the drive to stop.

To do this, it stores the value of the FIRST TRIP parameter, tag number 6, taken from the TRIPS STATUS function block.

TRIP 1 (NEWEST	[500]	NO TRIP
TRIP 2	[501]	NO TRIP
TRIP 3	[502]	NO TRIP
TRIP 4	[503]	NO TRIP
TRIP 5	[504]	NO TRIP
TRIP 6	[505]	NO TRIP
TRIP 7	[506]	NO TRIP
TRIP 8	[507]	NO TRIP
TRIP 9	[508]	NO TRIP
TRIP 10 (OLDEST	[509]	NO TRIP

Parameter Descriptions

TRIP 1 (NEWEST)

Range: Enumerated

Records the most recent trip that caused the drive to stop. The values that this (and the parameters below) may take are the same as tag number 6, FIRST TRIP, detailed in the TRIPS STATUS function block.

TRIP 2

Range: As above

Records the second most recent trip that caused the drive to stop.

TRIP 3

Range: As above

Records the third most recent trip that caused the drive to stop.

TRIP 4

Range: As above

Records the fourth most recent trip that caused the drive to stop.

TRIP 5

Range: As above

Records the fifth most recent trip that caused the drive to stop.

TRIP 6

Range: As above

Records the sixth most recent trip that caused the drive to stop.

TRIP 7

Range: As above

Records the seventh most recent trip that caused the drive to stop.

TRIP 8

Range: As above

Records the eighth most recent trip that caused the drive to stop.

TRIP 9

Range: As above

Records the ninth most recent trip that caused the drive to stop.

TRIP 10 (OLDEST)

Range: As above

Records the tenth most recent trip that caused the drive to stop.

Functional Description

This function block provides a view of the ten most recent trips that caused the drive to stop. Every time a new trip occurs this is entered as TRIP 1 (NEWEST and the other recorded trips are moved down. If more than ten trips have occurred since the drive was configured then only the ten most recent trips will be available for inspection.

These parameters are preserved through a power failure.

Refer to TRIPS STATUS, page 1-80 for an explanation of the four-digit codes.

1-80 Programming Your Application

TRIPS STATUS

The drive supports advanced and flexible trip logic to support monitoring of the drive itself, the motor and the load. This function block provides a view in to the current trip condition(s) and allows some trips to be disabled.

Refer to the "Trips and Fault Finding" chapter in the Installation Product Manual for trip descriptions.

Trips Status		
	ACTIVE TRIPS	[4] 0x0000
	ACTIVE TRIPS+	[740] 0x0000
	LATCHED TRIPS	[237] 0x0000
	LATCHED TRIPS+	[238] 0x0000
	WARNINGS	[5] 0x0000
	WARNINGS+	[741] 0x0000
	FIRST TRIP	[6] NO TRIP
0x0660	[231] DISABLE TRIPS	
0x0000	[742] DISABLED TRIPS+	

Parameter Descriptions

DISABLE TRIPS and DISABLE TRIPS+

Range: 0000 to FFFF

Indicates which trips have been disabled. Not all trips may be disabled, the DISABLED TRIPS mask is ignored for trips that cannot be disabled. See below for which trips may be disabled and how this parameter is formed.

ACTIVE TRIPS and ACTIVE TRIPS+

Range: 0000 to FFFF

Indicates all active trips, including user-disabled trips that are reporting a trip condition. The parameter returns a coded representation of the trip status. See below for a description of how this parameter is formed.

LATCHED TRIPS and LATCHED TRIPS+

Range: 0000 to FFFF

These two parameters have the same format as ACTIVE TRIPS and ACTIVE TRIPS+. They differ only in that ACTIVE TRIPS shows only those trip inputs that are currently active. LATCHED TRIPS shows all trips that are currently active, and also all trips that have been active since the last trip reset. For example, once an over-current event has caused the drive to stop, the over-current state is resolved so ACTIVE TRIPS will no longer show over current, while LATCHED TRIPS will show this.

The LATCHED TRIPS outputs are cleared by issuing a trip reset.

WARNINGS and WARNINGS+

Range: 0000 to FFFF

Indicates which conditions are likely to cause a trip, including potential conditions that may affect user-disabled trips. These parameters are a coded representation of the warning status. See below for a description of how this parameter is formed.

FIRST TRIP

Range: Enumerated – see table below

From when a trip occurs until that trip is reset, this parameter indicates the trip source. When several trips have occurred, this parameter indicates the first one that was detected.

Functional Description

The tables below show the possible parameter values for the FIRST TRIP, TRIPS HISTORY and the AUTO RESTART function blocks. Each trip has a unique, four-digit hexadecimal number as shown in the tables below.

ACTIVE TRIPS, WARNINGS, DISABLE TRIPS and TRIGGERS 1 (AUTO RESTART function block)					
ID	Trip Name (MMI 6901)	Trip Name (MMI 6511 & 6521)	Mask	Frames 1-3 User Disable	Frames C-F User Disable
0	NO TRIP		0x0000	N/A	N/A
1	OVERVOLTAGE	DCHI	0x0001		
2	UNDERVOLTAGE	DCLO	0x0002		
3	OVERCURRENT	OC	0x0004		
4	HEATSINK	HOT	0x0008		
5	EXTERNAL TRIP	ET	0x0010	✓	✓
6	INVERSE TIME	51t	0x0020	✓	✓
7	CURRENT LOOP	5LOOP	0x0040	✓	✓
8	MOTOR STALLED	5StLL	0x0080	✓	✓
9	ANIN FAULT	5t3	0x0100	✓	✓
10	BRAKE RESISTOR	5db r	0x0200	✓	✓
11	BRAKE SWITCH	5db S	0x0400	✓	✓
12	DISPLAY/KEYPAD	5dl SP	0x0800	✓	✓
13	LOST COMMS	SCI	0x1000	✓	✓
14	CONTACTOR FBK	CNTC	0x2000	✓	✓
15	SPEED FEEDBACK	5SPd	0x4000	✓	✓
16	■ AMBIENT TEMP	AOT	0x8000		
17	MOTOR OVERTEMP	5Ot	0x0001	✓	✓
18	CURRENT LIMIT	I HI	0x0002		
19	<i>Trip 19 (Reserved)</i>	TR19	0x0004		
20	■ 24V FAILURE	T 6	0x0008	✓	✓
21	LOW SPEED OVER I	LSPD	0x0010		
22	ANOUT 2 FAULT (or T4 on the 650 op station)	T 4	0x0020	✓	✓
23	<i>Trip 23 (Reserved)</i>	TR23	0x0040		
24	■ DESAT (OVER I)	SHRT	0x0080		
25	DC LINK RIPPLE	DCRP	0x0100		
26	■ BRAKE SHORT CCT	DBSC	0x0200		
27	OVERSPEED	5OSPd	0x0400	✓	✓
28	ANOUT FAULT	T 5	0x0800	✓	✓
29	DIGIO 1 (T9) FAULT	T 9	0x1000	✓	✓
30	DIGIO 2 (T10) FAULT	T 10	0x2000	✓	✓
31	UNKNOWN	TRIP	0x4000		
32	OTHER	TR32	0x8000		
33	◆ ■ ZERO I CAL	ICAL	0x8000	N/A	N/A
34	MAX SPEED LOW	ATN1	0x8000	N/A	N/A
35	MAIN VOLTS LOW	ATN2	0x8000	N/A	N/A
36	NOT AT SPEED	ATN3	0x8000	N/A	N/A
37	MAG CURRENT FAIL	ATN4	0x8000	N/A	N/A
38	NEGATIVE SLIP F	ATN5	0x8000	N/A	N/A
39	TR TOO LARGE	ATN6	0x8000	N/A	N/A
40	TR TOO SMALL	ATN7	0x8000	N/A	N/A
41	MAX RPM DATA ERR	ATN8	0x8000	N/A	N/A


1-82 Programming Your Application

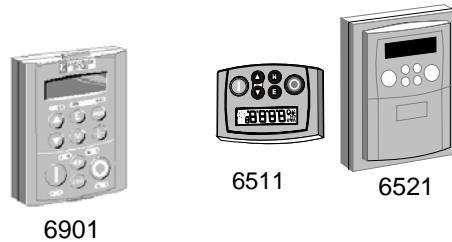
ACTIVE TRIPS, WARNINGS, DISABLE TRIPS and TRIGGERS 1 (AUTO RESTART function block)					
ID	Trip Name (MMI 6901)	Trip Name (MMI 6511 & 6521)	Mask	Frames 1-3 User Disable	Frames C-F User Disable
42	LEAKGE L TIMEOUT	ATN9	0x8000	N/A	N/A
43	MOTOR TURNING ERR	ATNA	0x8000	N/A	N/A
44	MOTOR STALL ERR	ATNB	0x8000	N/A	N/A

- Not available on Frames 1-3
- ◆ Not available on Frames C-F

Enter FFFF to select/accept all, for example, entering FFFF for TRIGGERS 1 would make the drive auto-restart for trips with IDs from 1 to 16 inclusive.

Keypads (MMIs):

Trips shown as displays, i.e. , can be disabled using the keypads in the TRIPS menu. Other trips, as indicated, can be disabled over the Comms.



Hexadecimal Representation of Trips

When more than one trip is to be represented at the same time then the trip codes are simply added together to form the value displayed. Within each digit, values between 10 and 15 are displayed as letters A to F

Decimal number	Display
10	A
11	B
12	C
13	D
14	E
15	F

For example referring to the tables above, if the ACTIVE TRIPS parameter is **02C8**, then this represents:

- a "2" in digit 3
- an "8" and a "4" in digit 2
(8+4 = 12, displayed as C)
- an "8" in digit 1

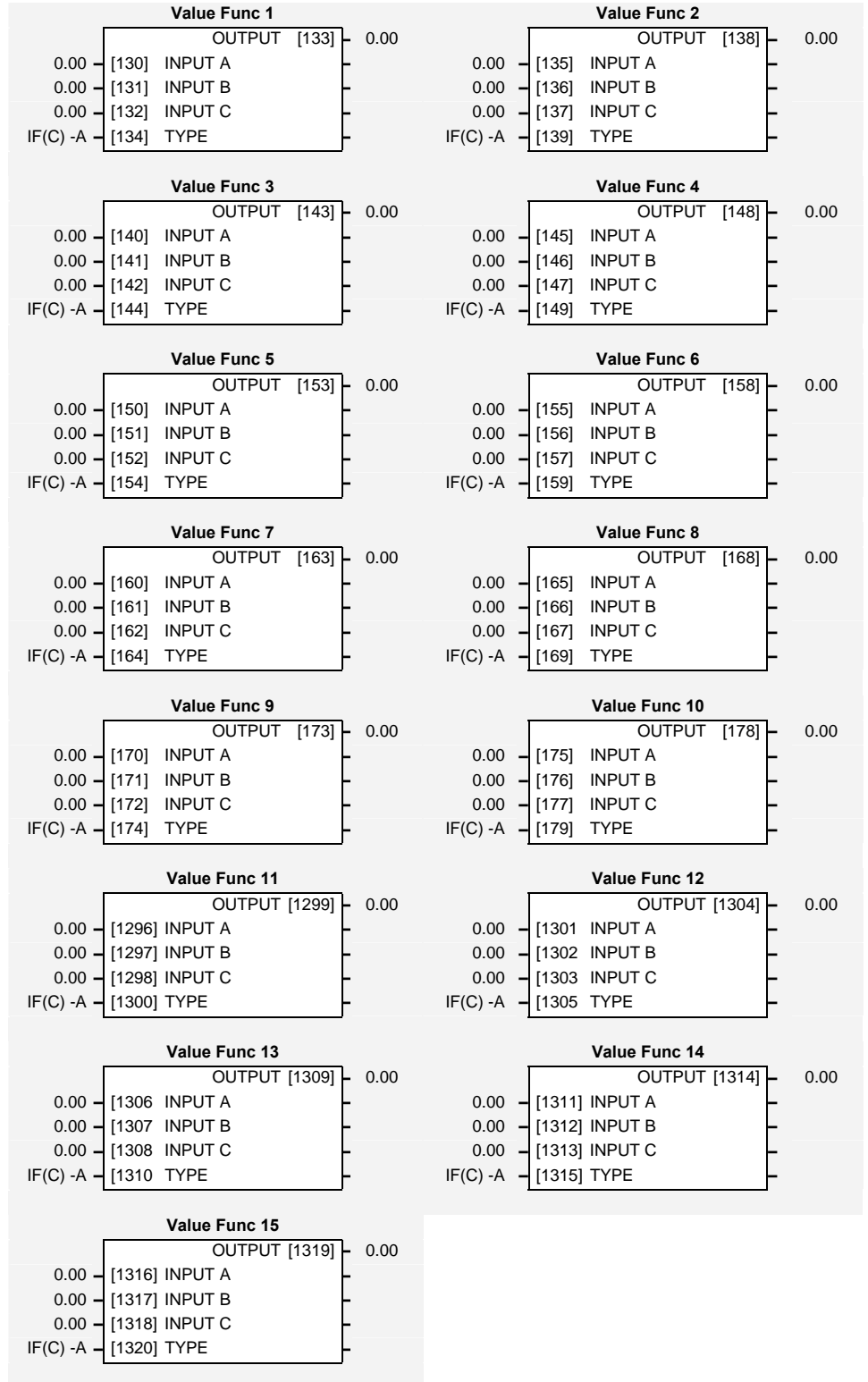
This in turn represents the active trips BRAKE RESISTOR, MOTOR STALLED, CURRENT LOOP and HEATSINK, (an unlikely situation).

In the same way, the ACTIVE TRIPS + parameter displaying **02C8** would represent BRAKE SHORT CCT, DESAT (OVER I), Trip 23 (Reserved) and 24V FAILURE, (another unlikely situation).

Note: The hexadecimal value is used over comms, however, pressing the **M** key whilst displaying the hexadecimal trip value will show the list of all trips and their current values.

VALUE FUNCTION

The value function blocks can be configured to perform one of a number of functions upon a fixed number of inputs.



Boolean inputs and outputs are
 Outputs: FALSE = 0.00, TRUE = 0.01
 Inputs: $-0.005 < x < 0.005$ = FALSE, Else TRUE

1-84 Programming Your Application

Parameter Descriptions

INPUT A Range: -32768.00 to 32767.00

General purpose input.

INPUT B Range: -32768.00 to 32767.00

General purpose input.

INPUT C Range: -32768.00 to 32767.00

General purpose input.

TYPE Range: Enumerated - see below

The operation to be performed on the three inputs to produce the output value.

Enumerated Value : Type

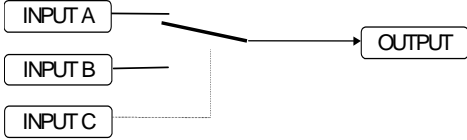
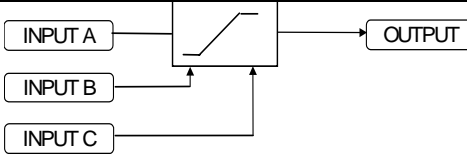
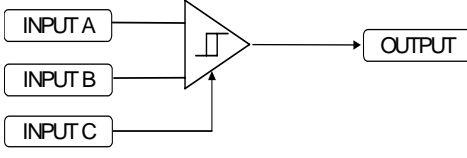
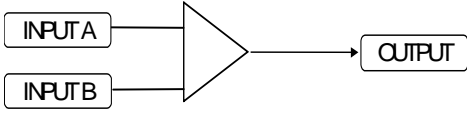
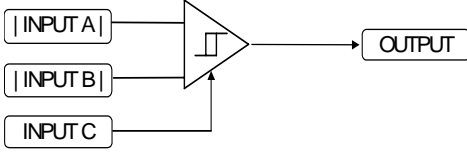
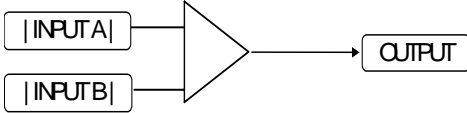
- 0 : $IF(C) -A$
- 1 : $ABS(A+B+C)$
- 2 : $SWITCH(A,B)$
- 3 : $(A*B)/C$
- 4 : $A+B+C$
- 5 : $A-B-C$
- 6 : $B \leq A \leq C$
- 7 : $A > B +/- C$
- 8 : $A \geq B$
- 9 : $ABS(A) > B +/- C$
- 10 : $ABS(A) \geq B$
- 11 : $A(I+B)$
- 12 : $IF(C) HOLD(A)$
- 13 : $BINARY DECODE$
- 14 : $ON DELAY$
- 15 : $OFF DELAY$
- 16 : $TIMER$
- 17 : $MINIMUM PULSE$
- 18 : $PULSE TRAIN$
- 19 : $WINDOW$
- 20 : $UP/DWN COUNTER$
- 21 : $(A*B)/C ROUND$
- 22 : $WINDOW NO HYST$
- 23 : $WIND A \geq B, A \leq C$
- 24 : $A \leq B$
- 25 : $((A*B)/100)+C$
- 26 : $MIN(A,B,C)$
- 27 : $MAX(A,B,C)$
- 28 : $PROFILE SQRT$
- 29 : $PROFILE LINEAR$
- 30 : $PROFILE x^2$
- 31 : $PROFILE x^3$
- 32 : $PROFILE x^4$
- 33 : $ON A > B, OFF A < C$
- 34 : $(A+B) CLAMPED C$
- 35 : $(A-B) CLAMPED C$
- 36 : $(A*B) CLAMPED C$
- 37 : $(A/B) CLAMPED C$
- 38 : $A \geq B:A, A \leq C:0$
- 39 : $(A * B) + C$
- 40 : $A * (B + C)$
- 41 : $A * (B - C)$
- 42 : $A * (1+B/C)$
- 43 : $A * (1+(B * C))$
- 44 : $MONOSTABLE HIGH$
- 45 : $MONOSTABLE LOW$
- 46 : $FILTER$
- 47 : $(A-B)/(B-C)$
- 48 : $100*(A-B)/(B-C)$

OUTPUT Range: —.xx

The result of performing the selected operation on the inputs.

Functional Description

OUTPUT is generated from the inputs according to the operation type selected. The output is always limited to be within the range -32768.00 to +32767.00.

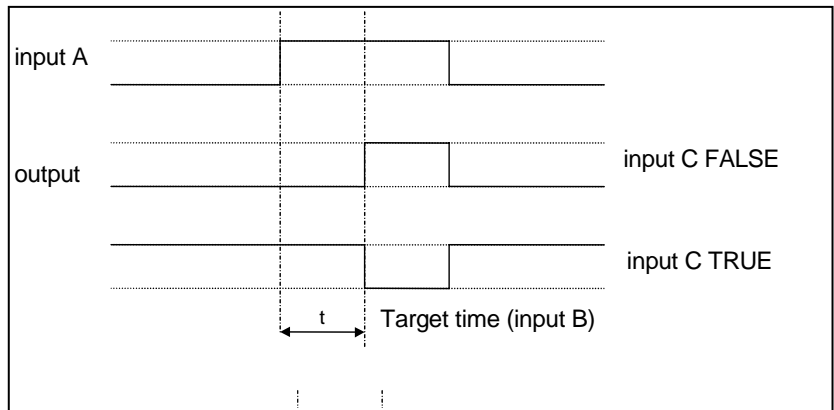
Operation	Description
IF(C) -A	If INPUT C is not zero the OUTPUT is minus INPUT A, otherwise the OUTPUT is the same as INPUT A.
ABS(A+B+C)	The OUTPUT is set to the absolute value of INPUT A + INPUT B + INPUT C.
SWITCH(A,B)	 <p>If INPUT C is zero the OUTPUT is set to INPUT A, otherwise the output is set to INPUT B</p>
(A*B)/C	The OUTPUT is set to (INPUT A * INPUT B) / (INPUT C). The algorithm compensates for the remainder term.
A+B+C	The OUTPUT is set to (INPUT A + INPUT B + INPUT C).
A-B-C	The OUTPUT is set to (INPUT A - INPUT B - INPUT C).
$B \leq A \leq C$	 <p>The OUTPUT is set to the value of INPUT A, limited to between a maximum value of INPUT C and a minimum value of INPUT B. If INPUT B is greater than INPUT C the output is undefined.</p>
$A > B \pm C$	 <p>The OUTPUT is TRUE if INPUT A is greater than INPUT B + INPUT C. The OUTPUT is FALSE if INPUT A is less than INPUT B - INPUT C.</p> <p>Otherwise the OUTPUT is unchanged. In this way the block acts as a simple comparator with a comparison level of INPUT B and a hysteresis band equal to +/- INPUT C.</p>
$A \geq B$	 <p>The OUTPUT is TRUE if INPUT A is greater than or equal to INPUT B, otherwise the OUTPUT is FALSE.</p>
$ABS(A) > ABS(B) \pm C$	 <p>The OUTPUT is TRUE if the magnitude of INPUT A is greater than or equal to the magnitude of INPUT B - INPUT C.</p> <p>The OUTPUT is FALSE if the magnitude of INPUT A is less than the magnitude of INPUT B + INPUT C. Otherwise the OUTPUT is unchanged. In this way the block acts as a magnitude comparator with a comparison level of INPUT B and a hysteresis band equal to +/- INPUT C.</p>
$ABS(A) \geq ABS(B)$	 <p>The OUTPUT is TRUE if the magnitude of INPUT A is greater than or equal to the magnitude of INPUT B, otherwise the OUTPUT is FALSE.</p>
$A(1+B)$	The OUTPUT is set to INPUT A + (INPUT A * INPUT B / 100.00).

1-86 Programming Your Application

Operation	Description																																				
IF(C) HOLD A	<p>If INPUT C is zero, the OUTPUT is set to INPUT A, otherwise the OUTPUT is unchanged.</p> <p>On powering up the drive, the output will be pre-loaded with the last saved value of input B.</p>																																				
BINARY DECODE	<p>The OUTPUT is set according to which of the INPUTs are non-zero.</p> <table border="1"> <thead> <tr> <th>INPUT C</th> <th>INPUT B</th> <th>INPUT A</th> <th>OUTPUT</th> </tr> </thead> <tbody> <tr> <td>0</td> <td>0</td> <td>0</td> <td>0.00</td> </tr> <tr> <td>0</td> <td>0</td> <td>≠0</td> <td>1.00</td> </tr> <tr> <td>0</td> <td>≠0</td> <td>0</td> <td>2.00</td> </tr> <tr> <td>0</td> <td>≠0</td> <td>≠0</td> <td>3.00</td> </tr> <tr> <td>≠0</td> <td>0</td> <td>0</td> <td>4.00</td> </tr> <tr> <td>≠0</td> <td>0</td> <td>≠0</td> <td>5.00</td> </tr> <tr> <td>≠0</td> <td>≠0</td> <td>0</td> <td>6.00</td> </tr> <tr> <td>≠0</td> <td>≠0</td> <td>≠0</td> <td>7.00</td> </tr> </tbody> </table>	INPUT C	INPUT B	INPUT A	OUTPUT	0	0	0	0.00	0	0	≠0	1.00	0	≠0	0	2.00	0	≠0	≠0	3.00	≠0	0	0	4.00	≠0	0	≠0	5.00	≠0	≠0	0	6.00	≠0	≠0	≠0	7.00
INPUT C	INPUT B	INPUT A	OUTPUT																																		
0	0	0	0.00																																		
0	0	≠0	1.00																																		
0	≠0	0	2.00																																		
0	≠0	≠0	3.00																																		
≠0	0	0	4.00																																		
≠0	0	≠0	5.00																																		
≠0	≠0	0	6.00																																		
≠0	≠0	≠0	7.00																																		

In the above table, ≠0 indicates that the corresponding input is not zero.

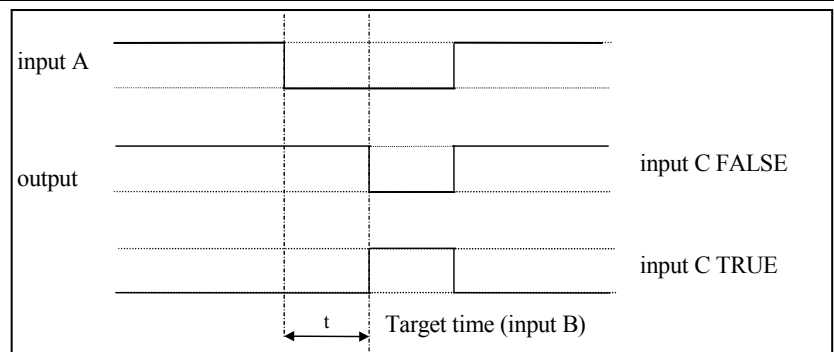
ON DELAY



A programmable delay between receiving and outputting a Boolean TRUE signal.

INPUT A becoming TRUE starts the delay timer. INPUT B sets the duration of the delay in seconds (1 = 1 second). At the end of the duration, OUTPUT becomes TRUE unless INPUT A has reverted to FALSE. Setting INPUT C to TRUE (≠0) inverts the output.

OFF DELAY

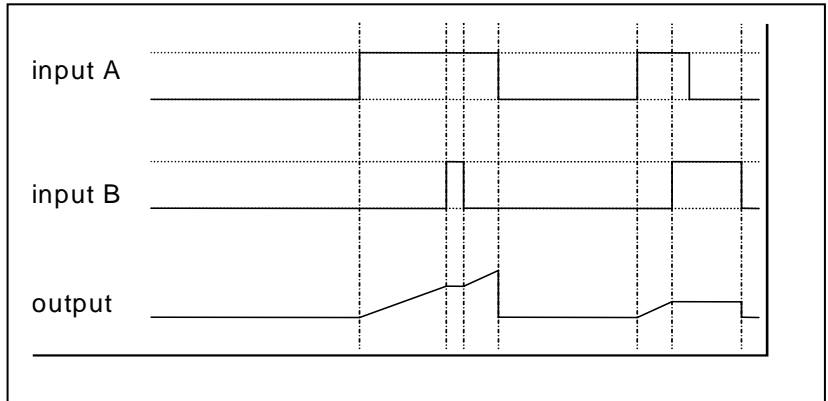


A programmable delay between receiving and outputting a Boolean FALSE signal.

INPUT A becoming FALSE starts the delay timer. INPUT B sets the duration of the delay in seconds (1 = 1 second). Setting INPUT C to TRUE (≠0) inverts the output. At the end of the duration, OUTPUT becomes FALSE unless INPUT A has reverted to TRUE.

Operation	Description
-----------	-------------

TIMER

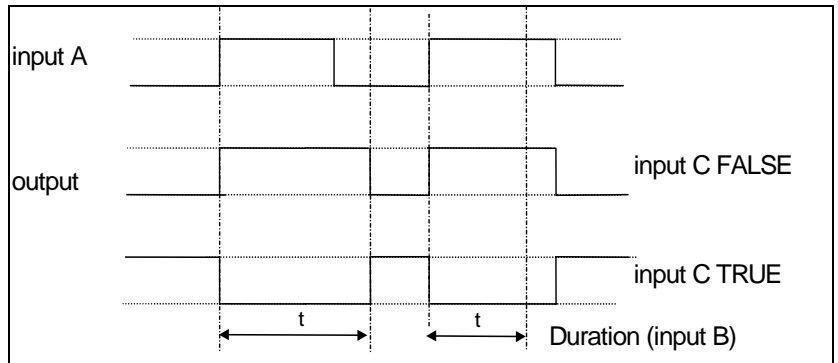


Times the period elapsed from when INPUT A is set TRUE and held TRUE, to when INPUT B becomes TRUE.

OUTPUT is the duration of the timer in seconds (1 = 1 second), starting from zero. If INPUT B is TRUE, the value for OUTPUT is held until INPUT B is released. If on release INPUT A is still TRUE, the timer will continue from the held value. Setting INPUT A and INPUT B to FALSE resets the timer.

INPUT C is not used.

MINIMUM PULSE



Creates an output of adjustable minimum time when INPUT A is TRUE. (INPUT A is assumed to be a sequence of TRUE pulses and FALSE off periods.)

INPUT B sets the length of the minimum pulse required in seconds (1 = 1 second). INPUT C inverts the output when TRUE. The duration of the pulse is *at least* the period set by INPUT B.

1-88 Programming Your Application

Operation	Description
PULSE TRAIN	

Creates a pulsed FALSE / TRUE output of programmable frequency.

INPUT A enables the pulse train when TRUE, disables when FALSE.

INPUT B sets the length of the *on* part of the pulse in seconds (1 = 1 second). INPUT C sets the length of the *off* part of the pulse in seconds (1 = 1 second).

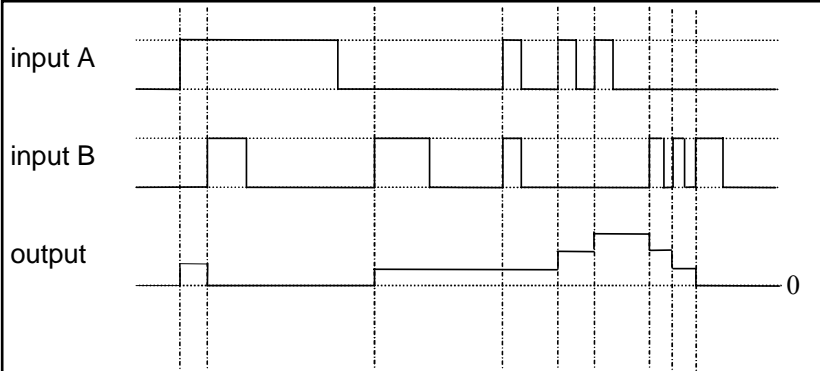
WINDOW	
--------	--

This function outputs TRUE when INPUT A is within a programmable range, and FALSE otherwise.

INPUT B sets the threshold of the window to be monitored. INPUT C defines the range of the window around the threshold. When the value of INPUT A is inside the window, the window expands by 0.01 to avoid flutter on output if noisy, i.e. if INPUT B = 5 and INPUT C = 4 then the range is 3 to 7, expanded to 2.5 to 7.5 when the value if INPUT A is inside the window.

If INPUT C is set to zero, the output will only be TRUE if INPUT A is exactly equal to INPUT B (this is fulfilled in the default condition when inputs A, B & C are all zero)

If INPUT C is set to a negative value, its absolute value defines the window range, and the output is inverted.

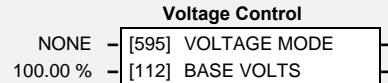
Operation	Description
UP/DOWN COUNTER	 <p>INPUT A provides a rising edge trigger to increment the output count by one.</p> <p>INPUT B provides a rising edge trigger to decrement the output count by one.</p> <p>INPUT C holds the output at zero.</p> <p>The output starts at zero. The output is limited at ± 300.00.</p>
(A*B)/C ROUND	The OUTPUT is set to $(\text{INPUT A} * \text{INPUT B}) / (\text{INPUT C})$. This is the same as $(A*B)/C$ (enumerated value 3) except that the result is rounded.
WINDOW NO HYST	This is the same as WINDOW (enumerated value 19) except that there is no hysteresis when inside the 'window'. Thus, from the diagram given in WINDOW, if INPUT B = 5 and INPUT C = 4 then the range is 3 to 7.
WIND A>=B,A<=C	This is the same as WINDOW (enumerated value 19) except that instead of setting hysteresis, the upper and lower limits are set independently. The lower limit is INPUT B, the upper limit is INPUT C. OUTPUT is True if $B \leq A \leq C$.
A<=B	The OUTPUT is True if INPUT A is less than or equal to INPUT B, otherwise OUTPUT is False.
$((A*B)/100)+C$	OUTPUT is set to $(\text{INPUT A} * \text{INPUT B})/100 + \text{INPUT C}$.
MIN(A,B,C)	The OUTPUT is set to the minimum value of INPUT A, B and C.
MAX(A,B,C)	The OUTPUT is set to the maximum value of INPUT A, B and C.
PROFILE SQRT	$\text{OUTPUT} = \text{INPUT B} + (\text{INPUT C} - \text{INPUT B}) * \text{square root A}$.
PROFILE LINEAR	$\text{OUTPUT} = \text{INPUT B} + (\text{INPUT C} - \text{INPUT B}) * \text{INPUT A}$
PROFILE x^2	$\text{OUTPUT} = \text{INPUT B} + (\text{INPUT C} - \text{INPUT B}) * (\text{INPUT A})^2$
PROFILE x^3	$\text{OUTPUT} = \text{INPUT B} + (\text{INPUT C} - \text{INPUT B}) * (\text{INPUT A})^3$
PROFILE x^4	$\text{OUTPUT} = \text{INPUT B} + (\text{INPUT C} - \text{INPUT B}) * (\text{INPUT A})^4$
ON A>B, OFF A<C	If A is greater than B, OUTPUT is 0.01. If A is less than C, OUTPUT is 0.00. Otherwise OUTPUT is unchanged.
(A+B) CLAMPED C	The output is the result of the arithmetic operation, clamped by the value of C. If C is greater than zero, the output is clamped to be less than C. If C is negative, the output is clamped to be greater than C. If C is zero the output is not clamped
(A-B) CLAMPED C	
(A*B) CLAMPED C	
(A/B) CLAMPED C	

1-90 Programming Your Application

Operation	Description
$A \geq B:A, A \leq C:0$	If A is greater or equal to B, OUTPUT is set to A. If A is less than or equal to C, OUTPUT is 0.00. Otherwise OUTPUT is unchanged.
$(A * B) + C$	The output is the result of the arithmetic operation.
$A * (B + C)$	
$A * (B - C)$	
$A * (1+B/C)$	
$A * (1+(B * C))$	
MONOSTABLE HIGH	<p>For each rising edge on input A, the output is active for a time defined by input B, (in seconds). If a subsequent rising edge is detected while the output is active, the end time of the output pulse is delayed as if it had been restarted.</p> <p>The output pulse is active high if input C is zero. If input C is not zero then the output pulse is active low and the idle state is high.</p>
MONOSTABLE LOW	<p>For each falling edge on input A, the output is active for a time defined by input B, (in seconds). If a subsequent falling edge is detected while the output is active, the end time of the output pulse is delayed as if it had been restarted.</p> <p>The output pulse is active high if input C is zero. If input C is not zero then the output pulse is active low and the idle state is high.</p>
FILTER	<p>The output is the result of passing INPUT A through a first order filter with a time constant in seconds defined by INPUT B.</p> <p>Input C acts as a filter reset. When C is zero the filter is active. When C is non-zero the filter output is reset to be the same as input A.</p>
$(A-B)/(B-C)$	The output is the result of the arithmetic operation.
$100*(A-B)/(B-C)$	

VOLTAGE CONTROL

Designed for VOLTS/Hz motor Control Mode.



This function block allows the motor output volts to be controlled in the presence of dc link voltage variations. This is achieved by controlling the level of PWM modulation as a function of measured dc link volts. The dc link volts may vary either due to supply variations or regenerative braking by the motor.

Three control modes are available, None, Fixed and Automatic.

Parameter Descriptions

VOLTAGE MODE  *SET\CTRL CL06* *Range: Enumerated - see below*

Set to NONE, no attempt is made to control the PWM modulation depth for variations in dc link voltage.

Set to FIXED, the drive's output volts are maintained, regardless of variations in the dc link voltage. The drive's product code sets the default value for demanded maximum output voltage (see MOTOR VOLTS below).

Set to AUTOMATIC, the voltage is controlled as above, but the output voltage is allowed to rise smoothly as dc link volts vary. This allows the motor to be overfluxed during deceleration, thereby increasing braking performance.

Enumerated Value : Voltage Mode

- 0 : NONE
- 1 : FIXED
- 2 : AUTOMATIC

BASE VOLTS *Range: 0.00 to 115.47 %*

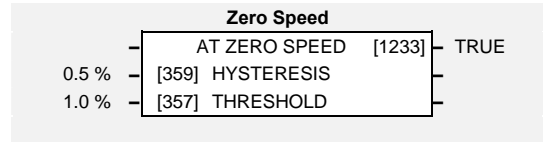
This parameter directly scales the output of the voltage control function block, thus allowing further scaling of the drive output volts if required.

Refer also to "Normal/Heavy Duty Selection", page 1-93.

1-92 Programming Your Application

ZERO SPEED

This function block detects when the speed is at or close to zero. HYSTERESIS and THRESHOLD are user-definable.



Parameter Descriptions

HYSTERESIS

Range: 0.0 to 300.0 %

Provides a hysteresis band about which the outputs are stable.

IF the hysteresis value is \geq to the Threshold
 THEN the level is set to 2 x the hysteresis value and the Off level is set to zero,
 ELSE the On level = Threshold + Hysteresis and the Off level = Threshold - Hysteresis.

THRESHOLD

Range: 0.0 to 300.0 %

The nominal level below which the outputs are set.

AT ZERO SPEED

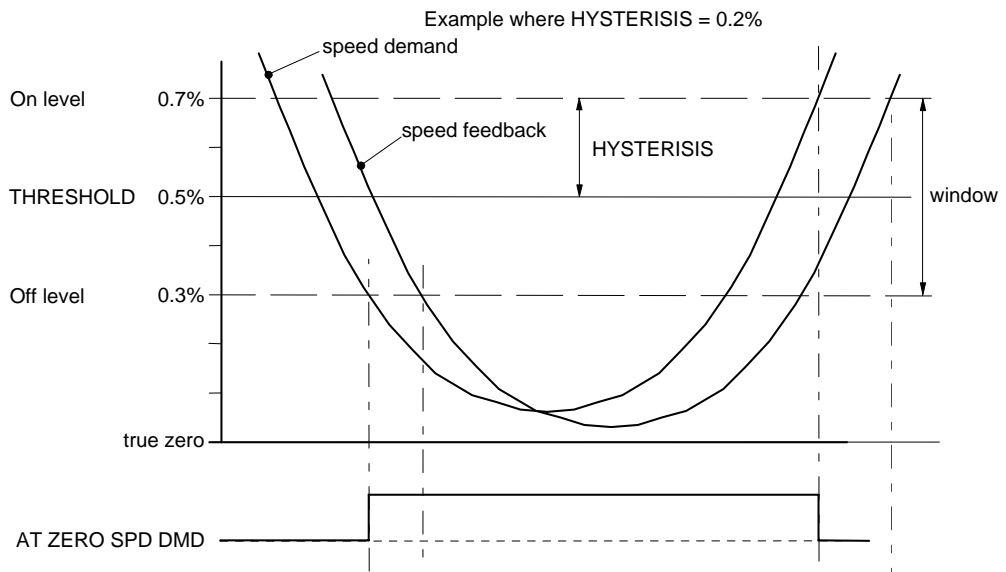
Range: FALSE / TRUE

TRUE when at zero speed feedback, as defined by THRESHOLD and HYSTERESIS.

IF (abs(speed feedback)) > On Level at zero speed = FALSE
 ELSE if (abs(speed feedback)) \leq Off Level at zero speed = TRUE
 ELSE at zero speed is unchanged

Functional Description

Note: The speed feedback used is the speed demand added to all trims, (such as those due to stabilisation or slip compensation).



Normal/Heavy Duty Selection

When selecting or de-selecting Normal Duty, several parameter values and their limits are modified.

The parameters affected are shown in the table below.

Change from HEAVY DUTY to NORMAL DUTY			
Function Block	Parameter	Set to	Note
INVERSE TIME	Max Overload Level	110.0 %	Internal Parameter
CURRENT LIMIT	CURRENT LIMIT	110.0 %	High Limit set 110.0 %
VOLTAGE CONTROL	BASE VOLTS	115.47 %	High Limit 115.47 %

Change from NORMAL DUTY to HEAVY DUTY			
Function Block	Parameter	Set to	Note
INVERSE TIME	Max Overload Level	150.0 %	Internal Parameter
CURRENT LIMIT	CURRENT LIMIT	150.0 %	High Limit set 150.0 %
VOLTAGE CONTROL	BASE VOLTS	100.0 %	High Limit 115.47 %

Chapter 2

PARAMETER SPECIFICATION

The headings for the Tag No. table are described below.

Tag	A numeric identification of the parameter.
Pref	A numeric identification of the parameter
MMI Name	The parameter name as it appears on the MMI (keypad).
DSEliteName	The parameter name as it appears in SSD Drives' own programming tool, DSElite.
Function Block	The function block under which the parameter is stored in DSElite
Type	REAL Floating point value INT Integer value BOOL A Boolean (bit) representing FALSE or TRUE ENUM An enumerated value representing a selection WORD 16 Bit hexadecimal number TAG Requires the Tag Number of a parameter
Range	This varies with parameter type: REAL, INT The upper and lower limits of the parameter BOOL 0 = FALSE, 1 = TRUE ENUM A list of possible selections for that parameter WORD 0000 to FFFF (hexadecimal) TAG The upper and lower limits of the parameter
ID	Serial Communications Mnemonic: Refer to Chapter 3: "Serial Communications"

In the MMI Parameters table the following Notes apply:

- F** Parameter only visible on MMI in detailed menus mode.
- M** Parameter is a Motor parameter, not reset on changing Application.
- VF** Parameter is only visible when in VF motor control mode.
- SV** Parameter is only visible when in SV motor control mode.
- (0) Modbus decimal point is xxxx.
- (1) Modbus decimal point is xxx.x
- (2) Modbus decimal point is xx.xx
- (3) Modbus decimal point is x.xxx

2-2 Parameter Specification

Specification Table: Tag Number Order

Tag	Pref	DSElite name	MMI Name	Function block name	Range	Type	ID
4	50.03	ACTIVE TRIPS		TRIPS STATUS	Output	WORD	04
5	50.05	WARNINGS		TRIPS STATUS	Output	WORD	05
6	50.07	FIRST TRIP		TRIPS STATUS	0 : NO TRIP 1 : OVERVOLTAGE 2 : UNDERVOLTAGE 3 : OVERCURRENT 4 : HEATSINK 5 : EXTERNAL TRIP 6 : INVERSE TIME 7 : CURRENT LOOP 8 : MOTOR STALLED 9 : ANIN FAULT 10 : BRAKE RESISTOR 11 : BRAKE SWITCH 12 : DISPLAY / KEYPAD 13 : LOST COMMS 14 : CONTACTOR FBK 15 : SPEED FEEDBACK 16 : AMBIENT TEMP 17 : MOTOR OVERTEMP 18 : CURRENT LIMIT 19 : SHORT CIRCUIT 20 : 24V FAILURE 21 : LOW SPEED OVER I 22 : AOUT2 FAULT 23 : ENCODER 1 FAULT 24 : DESAT (OVER I) 25 : VDC RIPPLE 26 : BRAKE SHORT CCT 27 : OVERSPEED 28 : AOUT1 FAULT 29 : DIG IO 1 FAULT 30 : DIG IO 2 FAULT 31 : UNKNOWN 32 : OTHER 33 : ZERO I CAL 34 : MAX SPEED LOW 35 : MAINS VOLTS LOW 36 : NOT AT SPEED 37 : MAG CURRENT FAIL 38 : NEGATIVE SLIP F 39 : TR TOO LARGE 40 : TR TOO SMALL 41 : MAX RPM DATA ERR 42 : LEAKGE L TIMEOUT 43 : MOTOR TURNING ERR 44 : MOTOR STALL ERR	ENUM	06
8	21.01	PASSWORD	PAR 99	MMI ACCESS	0x0000 to 0xFFFF	WORD	08
9	0.27	500V PWR BOARD		PROD DATA	Output	BOOL	09
10	0.28	HW UNDERLAP COMP		PROD DATA	Output	BOOL	0a
13	10.03	TYPE	SET\IN IP13	ANALOG INPUT 1	0 : 0..10 V 1 : 0..5 V	ENUM	0d
14	10.01	SCALE	SET\IN IP11	ANALOG INPUT 1	-300.00 to 300.00	REAL	0e
15	10.02	OFFSET	SET\IN IP12	ANALOG INPUT 1	-300.00 to 300.00	REAL	0f
16	10.05	VALUE	DIAG IPA1	ANALOG INPUT 1	Output (2)	REAL	0g
19	9.02	address lo word		peek data	0x0000 to 0xFFFF	WORD	0j
20	9.05	output as word		peek data	Output	WORD	0k
22	11.03	TYPE	SET\IN IP23	ANALOG INPUT 2	0 : 0..10 V 1 : 0..5 V 2 : 0..20 mA 3 : 4..20 mA	ENUM	0m
23	11.01	SCALE	SET\IN IP21	ANALOG INPUT 2	-300.00 to 300.00	REAL	0n
24	11.02	OFFSET	SET\IN IP22	ANALOG INPUT 2	-300.00 to 300.00	REAL	0o
25	11.06	VALUE	DIAG IPA2	ANALOG INPUT 2	Output (2)	REAL	0p
26	11.04	BREAK VALUE		ANALOG INPUT 2	-100.0 to 100.0 (2)	REAL	0q
28	57.15	SETPOINT		FLYCATCHING	Output	REAL	0s
29	57.13	error scaler		FLYCATCHING	0.00 to 300.00	REAL	0t
30	13.01	INVERT 1	SET\IN IP01	DIGITAL INPUTS	0 to 1	BOOL	0u
31	13.09	INPUT 1	SET\IN IPD1	DIGITAL INPUTS	Output	BOOL	0v
32	57.06	SEARCH BOOST		FLYCATCHING	0.00 to 50.00	REAL	0w
33	13.02	INVERT 2	SET\IN IP02	DIGITAL INPUTS	0 to 1	BOOL	0x

Parameter Specification 2-3

Tag	Pref	DSElite name	MMI Name	Function block name	Range	Type	ID
34	13.10	INPUT 2	SET\IN IPD2	DIGITAL INPUTS	Output	BOOL	0y
35	57.10	load level		FLYCATCHING	-50.00 to 50.00	REAL	0z
36	13.03	INVERT 3	SET\IN IP03	DIGITAL INPUTS	0 to 1	BOOL	10
37	13.11	INPUT 3	SET\IN IPD3	DIGITAL INPUTS	Output	BOOL	11
38	57.11	slew delta		FLYCATCHING	0.10 to 300.00	REAL	12
39	13.04	INVERT 4	SET\IN IP04	DIGITAL INPUTS	0 to 1	BOOL	13
40	13.12	INPUT 4	SET\IN IPD4	DIGITAL INPUTS	Output	BOOL	14
41	57.12	regen hold		FLYCATCHING	0.01 to 5.00	REAL	15
42	13.05	INVERT 5	SET\IN IP05	DIGITAL INPUTS	0 to 1	BOOL	16
43	13.13	INPUT 5	SET\IN IPD5	DIGITAL INPUTS	Output	BOOL	17
44	71.1.4	COEFFICIENT B		DISPLAY SCALE 1	-32768.0000 to 32767.0000(2)	REAL	18
45	12.1.1	VALUE	DIAG OPA1	ANALOG OUTPUT 1	-300.0 to 300.0 (2)	REAL	19
46	12.1.2	SCALE	SET\OUT A011	ANALOG OUTPUT 1	-300.00 to 300.00	REAL	1a
47	12.1.3	OFFSET	SET\OUT A012	ANALOG OUTPUT 1	-300.00 to 300.00	REAL	1b
48	12.1.4	ABSOLUTE	SET\OUT A013	ANALOG OUTPUT 1	0 to 1	BOOL	1c
50	27.01	NORMAL DUTY	PAR 12	FEEDBACKS	0 to 1	BOOL	1e
51	14.02	INVERT 1	SET\OUT OPD1	DIGITAL OUTPUTS	0 to 1	BOOL	1f
52	14.01	DIGOUT 1		DIGITAL OUTPUTS	0 to 1	BOOL	1g
53	71.1.7	LOW LIMIT		DISPLAY SCALE 1	-32768.0000 to 32767.0000 (2)	REAL	1h
54	14.04	INVERT 2	SET\OUT OPD2	DIGITAL OUTPUTS	0 to 1	BOOL	1i
55	14.03	DIGOUT 2		DIGITAL OUTPUTS	0 to 1	BOOL	1j
56	23.11	RAMP INPUT		REFERENCE	Output (2)	REAL	1k
57	23.03	MAX SPEED	PAR 2	REFERENCE	7.5 to 300.0	REAL	1l
58	0.29	AOUT2 OFFSET CAL		PROD DATA	0 to 255	INT	1m
59	0.30	AOUT2 GAIN CAL		PROD DATA	0 to 255	INT	1n
60	34.01	ENABLE		SLEW RATE LIMIT	0 to 1	BOOL	1o
61	34.03	DECEL LIMIT		SLEW RATE LIMIT	1.0 to 1200.0	REAL	1p
62	34.02	ACCEL LIMIT		SLEW RATE LIMIT	1.0 to 1200.0	REAL	1q
63	34.04	output		SLEW RATE LIMIT	Output	REAL	1r
64	35.03	MOTOR CURRENT	PAR 6	MOTOR DATA	0.01 to 999.99 (1)	REAL	1s
65	35.04	MAG CURRENT	SET\CTRL CL14	MOTOR DATA	0.01 to 999.99 (1)	REAL	1t
66	27.03	MOTOR CURRENT %		FEEDBACKS	Output	REAL	1u
67	27.04	MOTOR CURRENT A	DIAG 4	FEEDBACKS	Output	REAL	1v
70	27.11	TORQUE FEEDBACK	SET\SETP ST41	FEEDBACKS	Output	REAL	1y
73	27.12	FIELD FEEDBACK		FEEDBACKS	Output	REAL	21
74	70.1.1	PARAMETER		APP MENU 1	0 to 1686	PREF	22
75	27.02	DC LINK VOLTS	DIAG 3	FEEDBACKS	Output	REAL	23
76	36.02	brake level		DYNAMIC BRAKING	0.00 to 100.00	REAL	24
77	36.04	BRAKE RESISTANCE	SET\SETP ST32	DYNAMIC BRAKING	1 to 1000	INT	25
78	36.05	BRAKE POWER	SET\SETP ST33	DYNAMIC BRAKING	0.1 to 510.0	REAL	26
79	36.06	1SEC OVER RATING	SET\SETP ST34	DYNAMIC BRAKING	1 to 40	INT	27
80	36.01	ENABLE	SET\SETP ST31	DYNAMIC BRAKING	0 to 1	BOOL	28
81	36.03	BRAKING		DYNAMIC BRAKING	Output	BOOL	29
82	39.01	ENABLE	SET\CTRL CL04	SLIP COMP	0 to 1	BOOL	2a
83	35.05	NAMEPLATE RPM	SET\CTRL CL02	MOTOR DATA	0.1 to 30000.0 (0)	REAL	2b
84	35.06	MOTOR POLES	SET\CTRL CL11	MOTOR DATA	0 : 2 POLE 1 : 4 POLE 2 : 6 POLE 3 : 8 POLE 4 : 10 POLE 5 : 12 POLE	ENUM	2c
85	39.02	MOTORING LIMIT		SLIP COMP	0.0 to 600.0	REAL	2d
86	39.03	REGEN LIMIT		SLIP COMP	0.0 to 600.0	REAL	2e
87	39.04	filter tc		SLIP COMP	200. to 5000.	REAL	2f
88	39.05	output		SLIP COMP	Output	REAL	2g
90	18.10	SWAP WORD ORDER		COMMS PORTS	0 to 1	BOOL	2i
91	21.04	SCALING		MMI ACCESS	0 : NONE 1 : DISPLAY SCALE 1 2 : DISPLAY SCALE 2	ENUM	2j
92	21.05	IGNORE PASSWORD		MMI ACCESS	0 to 1	BOOL	2k
93	21.06	STARTUP SCREEN		MMI ACCESS	0 to 16	INT	2l
94	8.01	task index		task	0 to 2	INT	2m
95	8.02	elapsed time		task	Output (1)	REAL	2n
96	8.03	elapsed max time		task	Output (1)	REAL	2o
97	61.09	volts demand		tr adaptation	Output (0)	REAL	2p
98	25.01	RANDOM PATTERN		PATTERN GEN	0 to 1	BOOL	2q
99	25.05	stack frequency		PATTERN GEN	Output	REAL	2r
100	25.02	DEFLUX DELAY		PATTERN GEN	0.1 to 10.0	REAL	2s
101	71.1.6	HIGH LIMIT		DISPLAY SCALE 1	-32768.0000 to 32767.0000 (2)	REAL	2t
102	18.01	GROUP ID (GID)		COMMS PORTS	0 to 7	INT	2u
103	18.02	COMMS ADDRESS	SET\SERL SE03	COMMS PORTS	0 to 255	INT	2v

2-4 Parameter Specification

Tag	Pref	DSElite name	MMI Name	Function block name	Range	Type	ID
104	33.01	V/F SHAPE	PAR 11	FLUXING	0 : LINEAR LAW 1 : FAN LAW 2 : USER DEFINED	ENUM	2w
107	33.02	FIXED BOOST	PAR 13	FLUXING	0.00 to 25.00	REAL	2z
108	33.03	AUTO BOOST	PAR 14	FLUXING	0.00 to 25.00	REAL	30
109	33.04	auto boost tc		FLUXING	0.020 to 5.000	REAL	31
110	66.05	SPEED SCALE	SET\ENC EN05	ENCODER	0.00 to 300.00	REAL	32
111	66.06	SPEED	SET\ENC EN06	ENCODER	Output (0)	REAL	33
112	53.02	BASE VOLTS		VOLTAGE CONTROL	0.00 to 115.47	REAL	34
117	18.08	RS485 PROTOCOL		COMMS PORTS	0 : AUTOMATIC 1 : KEYPAD 2 : EIBISYNC ASCII 3 : MODBUS 4 : FIELDBUS	ENUM	39
119	35.14	STATOR RES	SET\CTRL CL17	MOTOR DATA	0.0000 to 250.0000 (2)	REAL	3b
120	35.15	LEAKAGE INDUC	SET\CTRL CL18	MOTOR DATA	0.00 to 3000.00 (1)	REAL	3c
121	35.16	MUTUAL INDUC	SET\CTRL CL19	MOTOR DATA	0.00 to 3000.00 (1)	REAL	3d
124	35.09	MOTOR CONNECTION	SET\CTRL CL16	MOTOR DATA	0 : DELTA 1 : STAR	ENUM	3g
125	71.1.2	FORMULA		DISPLAY SCALE 1	0 : 1 : A/B * X + C 2 : A/B * (X+C) 3 : A/(B * X) + C 4 : A/(B * (X+C))	ENUM	3h
126	43.08	FINAL STOP RATE		REFERENCE STOP	12. to 4800.	REAL	3i
127	22.01	ENABLED KEYS	SET\SETP ST52	DISPLAY/KEYPAD	0x0000 to 0xFFFF	WORD	3j
128	31.01	ENABLE	SET\CTRL CL05	STABILISATION	0 to 1	BOOL	3k
129	18.09	SWITCH OP PORT		COMMS PORTS	0 to 1	BOOL	3l
130	15.1.1	INPUT A		VALUE FUNC 1	-32768.00 to 32767.00	REAL	3m
131	15.1.2	INPUT B		VALUE FUNC 1	-32768.00 to 32767.00	REAL	3n
132	15.1.3	INPUT C		VALUE FUNC 1	-32768.00 to 32767.00	REAL	3o
133	15.1.5	OUTPUT		VALUE FUNC 1	Output	REAL	3p
134	15.1.4	TYPE		VALUE FUNC 1	0 : IF(C) -A 1 : ABS(A+B+C) 2 : SWITCH(A,B) 3 : (A*B)/C 4 : A+B+C 5 : A-B-C 6 : B<=A<=C 7 : A>B+/-C 8 : A>=B 9 : ABS(A)>B+/-C 10 : ABS(A)>=B 11 : A(1+B) 12 : IF(C) HOLD(A) 13 : BINARY DECODE 14 : ON DELAY 15 : OFF DELAY 16 : TIMER 17 : MINIMUM PULSE 18 : PULSE TRAIN 19 : WINDOW 20 : UP/DWN COUNTER 21 : (A*B)/C ROUND 22 : WINDOW NO HYST 23 : WIND A>=B,A<=C 24 : A<=B 25 : ((A*B)/100)+C 26 : MIN(A,B,C) 27 : MAX(A,B,C) 28 : PROFILE SQRT 29 : PROFILE LINEAR 30 : PROFILE x^2 31 : PROFILE x^3 32 : PROFILE x^4 33 : ON A>B, OFF A<C 34 : (A+B) CLAMPED C 35 : (A-B) CLAMPED C 36 : (A*B) CLAMPED C 37 : (A/B) CLAMPED C 38 : A>=B:A, A<=C:0 39 : (A * B) + C 40 : A * (B + C) 41 : A * (B - C) 42 : A * (1+B/C)	ENUM	3q

Parameter Specification 2-5

Tag	Pref	DSElite name	MMI Name	Function block name	Range	Type	ID
					43 : A * (1+(B * C)) 44 : MONOSTABLE HIGH 45 : MONOSTABLE LOW 46 : FILTER 47 : (A-B)/(B-C) 48 : 100*(A-B)/(B-C)		
135	15.2.1	INPUT A		VALUE FUNC 2	-32768.00 to 32767.00	REAL	3r
136	15.2.2	INPUT B		VALUE FUNC 2	-32768.00 to 32767.00	REAL	3s
137	15.2.3	INPUT C		VALUE FUNC 2	-32768.00 to 32767.00	REAL	3t
138	15.2.5	OUTPUT		VALUE FUNC 2	Output	REAL	3u
139	15.2.4	TYPE		VALUE FUNC 2	Same as 134	ENUM	3v
140	15.3.1	INPUT A		VALUE FUNC 3	-32768.00 to 32767.00	REAL	3w
141	15.3.2	INPUT B		VALUE FUNC 3	-32768.00 to 32767.00	REAL	3x
142	15.3.3	INPUT C		VALUE FUNC 3	-32768.00 to 32767.00	REAL	3y
143	15.3.5	OUTPUT		VALUE FUNC 3	Output	REAL	3z
144	15.3.4	TYPE		VALUE FUNC 3	Same as 134	ENUM	40
145	15.4.1	INPUT A		VALUE FUNC 4	-32768.00 to 32767.00	REAL	41
146	15.4.2	INPUT B		VALUE FUNC 4	-32768.00 to 32767.00	REAL	42
147	15.4.3	INPUT C		VALUE FUNC 4	-32768.00 to 32767.00	REAL	43
148	15.4.5	OUTPUT		VALUE FUNC 4	Output	REAL	44
149	15.4.4	TYPE		VALUE FUNC 4	Same as 134	ENUM	45
150	15.5.1	INPUT A		VALUE FUNC 5	-32768.00 to 32767.00	REAL	46
151	15.5.2	INPUT B		VALUE FUNC 5	-32768.00 to 32767.00	REAL	47
152	15.5.3	INPUT C		VALUE FUNC 5	-32768.00 to 32767.00	REAL	48
153	15.5.5	OUTPUT		VALUE FUNC 5	Output	REAL	49
154	15.5.4	TYPE		VALUE FUNC 5	Same as 134	ENUM	4a
155	15.6.1	INPUT A		VALUE FUNC 6	-32768.00 to 32767.00	REAL	4b
156	15.6.2	INPUT B		VALUE FUNC 6	-32768.00 to 32767.00	REAL	4c
157	15.6.3	INPUT C		VALUE FUNC 6	-32768.00 to 32767.00	REAL	4d
158	15.6.5	OUTPUT		VALUE FUNC 6	Output	REAL	4e
159	15.6.4	TYPE		VALUE FUNC 6	Same as 134	ENUM	4f
160	15.7.1	INPUT A		VALUE FUNC 7	-32768.00 to 32767.00	REAL	4g
161	15.7.2	INPUT B		VALUE FUNC 7	-32768.00 to 32767.00	REAL	4h
162	15.7.3	INPUT C		VALUE FUNC 7	-32768.00 to 32767.00	REAL	4i
163	15.7.5	OUTPUT		VALUE FUNC 7	Output	REAL	4j
164	15.7.4	TYPE		VALUE FUNC 7	Same as 134	ENUM	4k
165	15.8.1	INPUT A		VALUE FUNC 8	-32768.00 to 32767.00	REAL	4l
166	15.8.2	INPUT B		VALUE FUNC 8	-32768.00 to 32767.00	REAL	4m
167	15.8.3	INPUT C		VALUE FUNC 8	-32768.00 to 32767.00	REAL	4n
168	15.8.5	OUTPUT		VALUE FUNC 8	Output	REAL	4o
169	15.8.4	TYPE		VALUE FUNC 8	Same as 134	ENUM	4p
170	15.9.1	INPUT A		VALUE FUNC 9	-32768.00 to 32767.00	REAL	4q
171	15.9.2	INPUT B		VALUE FUNC 9	-32768.00 to 32767.00	REAL	4r
172	15.9.3	INPUT C		VALUE FUNC 9	-32768.00 to 32767.00	REAL	4s
173	15.9.5	OUTPUT		VALUE FUNC 9	Output	REAL	4t
174	15.9.4	TYPE		VALUE FUNC 9	Same as 134	ENUM	4u
175	15.10.1	INPUT A		VALUE FUNC 10	-32768.00 to 32767.00	REAL	4v
176	15.10.2	INPUT B		VALUE FUNC 10	-32768.00 to 32767.00	REAL	4w
177	15.10.3	INPUT C		VALUE FUNC 10	-32768.00 to 32767.00	REAL	4x
178	15.10.5	OUTPUT		VALUE FUNC 10	Output	REAL	4y
179	15.10.4	TYPE		VALUE FUNC 10	Same as 134	ENUM	4z
180	16.1.1	INPUT A		LOGIC FUNC 1	0 to 1	BOOL	50
181	16.1.2	INPUT B		LOGIC FUNC 1	0 to 1	BOOL	51
182	16.1.3	INPUT C		LOGIC FUNC 1	0 to 1	BOOL	52
183	16.1.5	OUTPUT		LOGIC FUNC 1	Output	BOOL	53
184	16.1.4	TYPE		LOGIC FUNC 1	0 : NOT(A) 1 : AND(A,B,C) 2 : NAND(A,B,C) 3 : OR(A,B,C) 4 : NOR(A,B,C) 5 : XOR(A,B) 6 : 0-1 EDGE(A) 7 : 1-0 EDGE(A) 8 : AND(A,B,!C) 9 : OR(A,B,!C) 10 : S FLIP-FLOP 11 : R FLIP-FLOP 12 : LATCH 13 : SWITCH 14 : (A AND B) OR C 15 : (A OR B) AND C	ENUM	54
185	16.2.1	INPUT A		LOGIC FUNC 2	0 to 1	BOOL	55
186	16.2.2	INPUT B		LOGIC FUNC 2	0 to 1	BOOL	56

2-6 Parameter Specification

Tag	Pref	DSElite name	MMI Name	Function block name	Range	Type	ID
187	16.2.3	INPUT C		LOGIC FUNC 2	0 to 1	BOOL	57
188	16.2.5	OUTPUT		LOGIC FUNC 2	Output	BOOL	58
189	16.2.4	TYPE		LOGIC FUNC 2	Same as 184	ENUM	59
190	16.3.1	INPUT A		LOGIC FUNC 3	0 to 1	BOOL	5a
191	16.3.2	INPUT B		LOGIC FUNC 3	0 to 1	BOOL	5b
192	16.3.3	INPUT C		LOGIC FUNC 3	0 to 1	BOOL	5c
193	16.3.5	OUTPUT		LOGIC FUNC 3	Output	BOOL	5d
194	16.3.4	TYPE		LOGIC FUNC 3	Same as 184	ENUM	5e
195	16.4.1	INPUT A		LOGIC FUNC 4	0 to 1	BOOL	5f
196	16.4.2	INPUT B		LOGIC FUNC 4	0 to 1	BOOL	5g
197	16.4.3	INPUT C		LOGIC FUNC 4	0 to 1	BOOL	5h
198	16.4.5	OUTPUT		LOGIC FUNC 4	Output	BOOL	5i
199	16.4.4	TYPE		LOGIC FUNC 4	Same as 184	ENUM	5j
200	16.5.1	INPUT A		LOGIC FUNC 5	0 to 1	BOOL	5k
201	16.5.2	INPUT B		LOGIC FUNC 5	0 to 1	BOOL	5l
202	16.5.3	INPUT C		LOGIC FUNC 5	0 to 1	BOOL	5m
203	16.5.5	OUTPUT		LOGIC FUNC 5	Output	BOOL	5n
204	16.5.4	TYPE		LOGIC FUNC 5	Same as 184	ENUM	5o
205	16.6.1	INPUT A		LOGIC FUNC 6	0 to 1	BOOL	5p
206	16.6.2	INPUT B		LOGIC FUNC 6	0 to 1	BOOL	5q
207	16.6.3	INPUT C		LOGIC FUNC 6	0 to 1	BOOL	5r
208	16.6.5	OUTPUT		LOGIC FUNC 6	Output	BOOL	5s
209	16.6.4	TYPE		LOGIC FUNC 6	Same as 184	ENUM	5t
210	16.7.1	INPUT A		LOGIC FUNC 7	0 to 1	BOOL	5u
211	16.7.2	INPUT B		LOGIC FUNC 7	0 to 1	BOOL	5v
212	16.7.3	INPUT C		LOGIC FUNC 7	0 to 1	BOOL	5w
213	16.7.5	OUTPUT		LOGIC FUNC 7	Output	BOOL	5x
214	16.7.4	TYPE		LOGIC FUNC 7	Same as 184	ENUM	5y
215	16.8.1	INPUT A		LOGIC FUNC 8	0 to 1	BOOL	5z
216	16.8.2	INPUT B		LOGIC FUNC 8	0 to 1	BOOL	60
217	16.8.3	INPUT C		LOGIC FUNC 8	0 to 1	BOOL	61
218	16.8.5	OUTPUT		LOGIC FUNC 8	Output	BOOL	62
219	16.8.4	TYPE		LOGIC FUNC 8	Same as 184	ENUM	63
220	16.9.1	INPUT A		LOGIC FUNC 9	0 to 1	BOOL	64
221	16.9.2	INPUT B		LOGIC FUNC 9	0 to 1	BOOL	65
222	16.9.3	INPUT C		LOGIC FUNC 9	0 to 1	BOOL	66
223	16.9.5	OUTPUT		LOGIC FUNC 9	Output	BOOL	67
224	16.9.4	TYPE		LOGIC FUNC 9	Same as 184	ENUM	68
225	16.10.1	INPUT A		LOGIC FUNC 10	0 to 1	BOOL	69
226	16.10.2	INPUT B		LOGIC FUNC 10	0 to 1	BOOL	6a
227	16.10.3	INPUT C		LOGIC FUNC 10	0 to 1	BOOL	6b
228	16.10.5	OUTPUT		LOGIC FUNC 10	Output	BOOL	6c
229	16.10.4	TYPE		LOGIC FUNC 10	Same as 184	ENUM	6d
230	22.02	DISP 1 VERSION		DISPLAY/KEYPAD	Output	WORD	6e
231	50.01	DISABLE TRIPS	SET\TRIP LOOP	TRIPS STATUS	0x0000 to 0xFFFF	WORD	6f
234	54.02	EXTERNAL TRIP		IO TRIPS	0 to 1	BOOL	6i
237	50.09	LATCHED TRIPS		TRIPS STATUS	Output	WORD	6l
238	50.10	LATCHED TRIPS+		TRIPS STATUS	Output	WORD	6m
240	56.02	STALL LIMIT		STALL TRIP	50.00 to 150.00	REAL	6o
241	56.01	STALL TIME		STALL TRIP	0.1 to 3000.0	REAL	6p
242	35.10	POWER FACTOR		MOTOR DATA	0.50 to 0.99	REAL	6q
243	23.06	TRIM IN LOCAL		REFERENCE	0 to 1	BOOL	6r
244	42.01	RAMP TYPE	SET\SETP ST03	REFERENCE RAMP	0 : LINEAR 1 : S	ENUM	6s
245	23.01	REMOTE SETPOINT		REFERENCE	-110.0 to 110.0 (2)	REAL	6t
246	20.01	SETPOINT	PAR 8	REFERENCE JOG	-100.0 to 100.0 (2)	REAL	6u
247	23.13	LOCAL SETPOINT		REFERENCE	-100.0 to 100.0 (2)	REAL	6v
248	23.02	SPEED TRIM		REFERENCE	-110.00 to 110.00	REAL	6w
249	23.07	REMOTE REVERSE		REFERENCE	0 to 1	BOOL	6x
250	23.15	LOCAL REVERSE		REFERENCE	Output	BOOL	6y
251	23.16	LOCAL MIN SPEED	SET\SETP ST51	REFERENCE	0.0 to 100.0	REAL	6z
252	23.04	MAX SPEED CLAMP		REFERENCE	0.0 to 110.0 (2)	REAL	70
253	23.05	MIN SPEED CLAMP		REFERENCE	-110.0 to 0.0 (2)	REAL	71
254	23.10	SPEED SETPOINT	DIAG 2	REFERENCE	Output (2)	REAL	72
255	23.09	SPEED DEMAND		REFERENCE	Output (2)	REAL	73
256	23.12	REVERSE		REFERENCE	Output	BOOL	74
257	41.06	REMOTE REF		LOCAL CONTROL	Output	BOOL	75
258	42.02	ACCEL TIME	PAR 4	REFERENCE RAMP	0.0 to 3000.0	REAL	76
259	42.03	DECEL TIME	PAR 5	REFERENCE RAMP	0.0 to 3000.0	REAL	77
260	42.06	HOLD		REFERENCE RAMP	0 to 1	BOOL	78
261	20.02	ACCEL TIME	SET\SETP ST01	REFERENCE JOG	0.0 to 3000.0	REAL	79
262	20.03	DECEL TIME	SET\SETP ST02	REFERENCE JOG	0.0 to 3000.0	REAL	7a
263	43.02	STOP TIME		REFERENCE STOP	0.0 to 600.0	REAL	7b

Parameter Specification 2-7

Tag	Pref	DSElite name	MMI Name	Function block name	Range	Type	ID
264	43.07	FAST STOP TIME		REFERENCE STOP	0.0 to 600.0	REAL	7c
265	41.02	REF MODES		LOCAL CONTROL	0 : LOCAL/REMOTE 1 : LOCAL ONLY 2 : REMOTE ONLY	ENUM	7d
266	43.03	STOP ZERO SPEED		REFERENCE STOP	0.0 to 100.0 (2)	REAL	7e
269	23.08	comms setpoint		REFERENCE	-100.0 to 100.0 (2)	REAL	7h
270	19.07	COMMS REF		COMMS CONTROL	Output	BOOL	7i
271	19.05	comms command in		COMMS CONTROL	0x0000 to 0xFFFF	WORD	7j
272	19.08	COMMS STATUS		COMMS CONTROL	Output	WORD	7k
273	19.09	COMMS COMMAND		COMMS CONTROL	Output	WORD	7l
274	24.24	HEALTHY		SEQUENCING LOGIC	Output	BOOL	7m
275	43.06	FAST STOP LIMIT		REFERENCE STOP	0.0 to 3000.0	REAL	7n
276	24.06	DRIVE ENABLE		SEQUENCING LOGIC	0 to 1	BOOL	7o
277	24.07	NOT FAST STOP		SEQUENCING LOGIC	0 to 1	BOOL	7p
278	24.08	NOT COAST STOP		SEQUENCING LOGIC	0 to 1	BOOL	7q
279	43.01	RUN STOP MODE	PAR 9	REFERENCE STOP	0 : RAMPED 1 : COAST 2 : DC INJECTION	ENUM	7r
280	24.04	JOG		SEQUENCING LOGIC	0 to 1	BOOL	7s
281	41.04	SEQ DIRECTION		LOCAL CONTROL	0 to 1	BOOL	7t
282	24.10	REM TRIP RESET		SEQUENCING LOGIC	0 to 1	BOOL	7u
283	24.12	POWER UP START		SEQUENCING LOGIC	0 to 1	BOOL	7v
284	43.04	STOP DELAY		REFERENCE STOP	0.0 to 30.0 (3)	REAL	7w
285	24.14	RUNNING		SEQUENCING LOGIC	Output	BOOL	7x
286	24.17	OUTPUT CONTACTOR		SEQUENCING LOGIC	Output	BOOL	7y
287	24.20	READY		SEQUENCING LOGIC	Output	BOOL	7z
288	24.18	SWITCH ON ENABLE		SEQUENCING LOGIC	Output	BOOL	80
289	24.13	TRIPPED		SEQUENCING LOGIC	Output	BOOL	81
290	24.11	TRIP RST BY RUN		SEQUENCING LOGIC	0 to 1	BOOL	82
291	24.01	RUN FORWARD		SEQUENCING LOGIC	0 to 1	BOOL	83
292	24.02	RUN REVERSE		SEQUENCING LOGIC	0 to 1	BOOL	84
293	24.03	NOT STOP		SEQUENCING LOGIC	0 to 1	BOOL	85
294	24.09	REMOTE REVERSE		SEQUENCING LOGIC	0 to 1	BOOL	86
295	19.06	COMMS SEQ		COMMS CONTROL	Output	BOOL	87
296	24.23	REMOTE REV OUT		SEQUENCING LOGIC	Output	BOOL	88
297	41.05	REMOTE SEQ		LOCAL CONTROL	Output	BOOL	89
298	41.01	SEQ MODES		LOCAL CONTROL	Same as 265	ENUM	8a
299	41.03	POWER UP MODE		LOCAL CONTROL	0 : LOCAL 1 : REMOTE 2 : AUTOMATIC	ENUM	8b
300	19.01	REMOTE COMMS SEL	SET\SERL SE01	COMMS CONTROL	0 to 1	BOOL	8c
301	24.22	SEQUENCER STATE		SEQUENCING LOGIC	0 : START DISABLED 1 : START ENABLED 2 : SWITCHED ON 3 : READY 4 : ENABLED 5 : F-STOP ACTIVE 6 : TRIP ACTIVE 7 : TRIPPED 8 : RESTART PENDING	ENUM	8d
302	24.15	JOGGING		SEQUENCING LOGIC	Output	BOOL	8e
303	24.16	STOPPING		SEQUENCING LOGIC	Output	BOOL	8f
304	43.05	FAST STOP MODE		REFERENCE STOP	0 : RAMPED 1 : COAST	ENUM	8g
305	24.21	SYSTEM RESET		SEQUENCING LOGIC	Output	BOOL	8h
306	24.19	SWITCHED ON		SEQUENCING LOGIC	Output	BOOL	8i
307	19.02	REMOTE SEQ MODES		COMMS CONTROL	0 : TERMINALS/COMMS 1 : TERMINALS ONLY 2 : COMMS ONLY	ENUM	8j
308	19.03	REMOTE REF MODES		COMMS CONTROL	Same as 307	ENUM	8k
309	19.04	COMMS TIMEOUT	SET\SERL SE02	COMMS CONTROL	0.0 to 600.0	REAL	8l
310	7.08	DIGIN 1 DEST	SET\CONF DIN1	APP CONFIG	0 : NONE 1 : RUN FORWARD 2 : RUN REVERSE 3 : NOT STOP 4 : JOG 5 : CONTACTOR CLOSED 6 : DRIVE ENABLE 7 : NOT FAST STOP 8 : NOT COAST STOP 9 : REMOTE REVERSE 10 : REM TRIP RESET 11 : RAISE INPUT 12 : LOWER INPUT	ENUM	8m

2-8 Parameter Specification

Tag	Pref	DSElite name	MMI Name	Function block name	Range	Type	ID
					13 : RL RESET 14 : PID ENABLE 15 : VALUE 1 INPUT A 16 : VALUE 1 INPUT B 17 : VALUE 1 INPUT C 18 : VALUE 2 INPUT A 19 : VALUE 2 INPUT B 20 : VALUE 2 INPUT C 21 : VALUE 3 INPUT C 22 : VALUE 4 INPUT C 23 : LOGIC 1 INPUT A 24 : LOGIC 1 INPUT B 25 : LOGIC 1 INPUT C 26 : LOGIC 3 INPUT A 27 : LOGIC 3 INPUT B 28 : LOGIC 3 INPUT C		
311	7.09	DIGIN 2 DEST	SET\CONF DIN2	APP CONFIG	Same as 310	ENUM	8n
312	7.10	DIGIN 3 DEST	SET\CONF DIN3	APP CONFIG	Same as 310	ENUM	8o
313	7.11	DIGIN 4 DEST	SET\CONF DIN4	APP CONFIG	Same as 310	ENUM	8p
314	7.12	DIGIN 5 DEST	SET\CONF DIN5	APP CONFIG	Same as 310	ENUM	8q
315	7.13	DIGIN 6 DEST	SET\CONF DIN6	APP CONFIG	Same as 310	ENUM	8r
316	7.14	DIGIN 7 DEST	SET\CONF DIN7	APP CONFIG	Same as 310	ENUM	8s
318	46.17	LOW LIMIT		PID	-300.00 to 0.00	REAL	8u
319	46.18	SYMMETRIC LIMIT		PID	0 to 1	BOOL	8v
321	71.1.3	COEFFICIENT A		DISPLAY SCALE 1	-32768.0000 to 32767.0000 (2)	REAL	8x
322	71.1.5	COEFFICIENT C		DISPLAY SCALE 1	-32768.0000 to 32767.0000 (2)	REAL	8y
323	71.1.8	UNITS		DISPLAY SCALE 1	0 : 1 : V 2 : RPM 3 : A 4 : kW 5 : % 6 : %ms 7 : Hz 8 : s 9 : ms 10 : Hzs 11 : ohms 12 : mH 13 : Nm 14 : deg 15 : kgm^2 16 : Nm/Hz 17 : /s^2 18 : /s^3 19 : Pa 20 : kPa 21 : bar 22 : degC 23 : K 24 : m3/h	ENUM	8z
325	44.08	OUTPUT		RAISE/LOWER	Output	REAL	91
326	44.03	RAMP TIME		RAISE/LOWER	0.0 to 600.0	REAL	92
327	44.01	RAISE INPUT		RAISE/LOWER	0 to 1	BOOL	93
328	44.02	LOWER INPUT		RAISE/LOWER	0 to 1	BOOL	94
329	44.05	MIN VALUE		RAISE/LOWER	-100.00 to 100.00	REAL	95
330	44.04	MAX VALUE		RAISE/LOWER	-100.00 to 100.00	REAL	96
331	44.06	RESET VALUE		RAISE/LOWER	-100.00 to 100.00	REAL	97
332	44.07	RESET		RAISE/LOWER	0 to 1	BOOL	98
334	71.1.1	DECIMAL PLACE		DISPLAY SCALE 1	0 : X. 1 : X.X 2 : X.XX 3 : X.XXX 4 : X.XXXX 5 : DEFAULT	ENUM	9a
335	45.04	OUTPUT		MINIMUM SPEED	Output (2)	REAL	9b
336	45.01	INPUT		MINIMUM SPEED	-300.0 to 300.0 (2)	REAL	9c
337	45.02	MINIMUM	PAR 3	MINIMUM SPEED	-100.0 to 100.0 (2)	REAL	9d
338	45.03	MODE	SET\SETP ST06	MINIMUM SPEED	0 : PROP. W/MIN 1 : LINEAR	ENUM	9e
340	55.01	INPUT		SKIP FREQUENCIES	-300.00 to 300.00	REAL	9g
341	55.02	BAND 1	SET\SETP ST12	SKIP FREQUENCIES	0.0 to 60.0	REAL	9h
342	55.03	FREQUENCY 1	SET\SETP ST11	SKIP FREQUENCIES	0.0 to 300.0	REAL	9i

Parameter Specification 2-9

Tag	Pref	DSElite name	MMI Name	Function block name	Range	Type	ID
343	55.05	FREQUENCY 2	SET\SETP ST13	SKIP FREQUENCIES	0.0 to 300.0	REAL	9j
346	55.06	OUTPUT		SKIP FREQUENCIES	Output	REAL	9m
347	17.1.2	INPUT 0		PRESET 1	-32768.00 to 32767.00	REAL	9n
348	17.1.3	INPUT 1		PRESET 1	-32768.00 to 32767.00	REAL	9o
349	17.1.4	INPUT 2		PRESET 1	-32768.00 to 32767.00	REAL	9p
350	17.1.5	INPUT 3		PRESET 1	-32768.00 to 32767.00	REAL	9q
351	17.1.6	INPUT 4		PRESET 1	-32768.00 to 32767.00	REAL	9r
352	17.1.7	INPUT 5		PRESET 1	-32768.00 to 32767.00	REAL	9s
353	17.1.8	INPUT 6		PRESET 1	-32768.00 to 32767.00	REAL	9t
354	17.1.9	INPUT 7		PRESET 1	-32768.00 to 32767.00	REAL	9u
355	17.1.1	SELECT INPUT		PRESET 1	0 : INPUT 0 1 : INPUT 1 2 : INPUT 2 3 : INPUT 3 4 : INPUT 4 5 : INPUT 5 6 : INPUT 6 7 : INPUT 7	ENUM	9v
356	17.1.10	OUTPUT 1		PRESET 1	Output	REAL	9w
357	49.02	THRESHOLD		ZERO SPEED	0.0 to 300.0 (2)	REAL	9x
359	49.01	HYSTERISIS		ZERO SPEED	0.0 to 300.0 (2)	REAL	9z
365	28.01	CURRENT LIMIT	SET\CTRL CL81	CURRENT LIMIT	0.00 to 300.00	REAL	a5
367	29.01	prop gain		open-loop i-lim	0.00 to 300.00	REAL	a7
368	29.02	integral gain		open-loop i-lim	0.00 to 300.00	REAL	a8
369	29.03	setpoint		open-loop i-lim	Output	REAL	a9
370	29.04	limiting		open-loop i-lim	Output	BOOL	aa
371	70.2.1	PARAMETER		APP MENU 2	0 to 1686	PREF	ab
372	17.1.11	OUTPUT 2		PRESET 1	Output	REAL	ac
373	17.2.11	OUTPUT 2		PRESET 2	Output	REAL	ad
374	17.3.11	OUTPUT 2		PRESET 3	Output	REAL	ae
375	71.2.3	COEFFICIENT A		DISPLAY SCALE 2	-32768.0000 to 32767.0000 (2)	REAL	af
376	71.2.5	COEFFICIENT C		DISPLAY SCALE 2	-32768.0000 to 32767.0000 (2)	REAL	ag
377	71.2.8	UNITS		DISPLAY SCALE 2	Same as 323	ENUM	ah
379	71.2.1	DECIMAL PLACE		DISPLAY SCALE 2	Same as 334	ENUM	aj
380	17.2.2	INPUT 0		PRESET 2	-32768.00 to 32767.00	REAL	ak
381	17.2.3	INPUT 1		PRESET 2	-32768.00 to 32767.00	REAL	al
382	17.2.4	INPUT 2		PRESET 2	-32768.00 to 32767.00	REAL	am
383	17.2.5	INPUT 3		PRESET 2	-32768.00 to 32767.00	REAL	an
384	17.2.6	INPUT 4		PRESET 2	-32768.00 to 32767.00	REAL	ao
385	17.2.7	INPUT 5		PRESET 2	-32768.00 to 32767.00	REAL	ap
386	17.2.8	INPUT 6		PRESET 2	-32768.00 to 32767.00	REAL	aq
387	17.2.9	INPUT 7		PRESET 2	-32768.00 to 32767.00	REAL	ar
388	17.2.1	SELECT INPUT		PRESET 2	Same as 355	ENUM	as
389	17.2.10	OUTPUT 1		PRESET 2	Output	REAL	at
390	17.3.2	INPUT 0		PRESET 3	-32768.00 to 32767.00	REAL	au
391	17.3.3	INPUT 1		PRESET 3	-32768.00 to 32767.00	REAL	av
392	17.3.4	INPUT 2		PRESET 3	-32768.00 to 32767.00	REAL	aw
393	17.3.5	INPUT 3		PRESET 3	-32768.00 to 32767.00	REAL	ax
394	17.3.6	INPUT 4		PRESET 3	-32768.00 to 32767.00	REAL	ay
395	17.3.7	INPUT 5		PRESET 3	-32768.00 to 32767.00	REAL	az
396	17.3.8	INPUT 6		PRESET 3	-32768.00 to 32767.00	REAL	b0
397	17.3.9	INPUT 7		PRESET 3	-32768.00 to 32767.00	REAL	b1
398	17.3.1	SELECT INPUT		PRESET 3	Same as 355	ENUM	b2
399	17.3.10	OUTPUT 1		PRESET 3	Output	REAL	b3
400	1.1.1	SOURCE		LINK 1	0 to 1686	PREF	b4
401	1.1.2	DESTINATION		LINK 1	0 to 1686	PREF	b5
402	1.2.1	SOURCE		LINK 2	0 to 1686	PREF	b6
403	1.2.2	DESTINATION		LINK 2	0 to 1686	PREF	b7
404	1.3.1	SOURCE		LINK 3	0 to 1686	PREF	b8
405	1.3.2	DESTINATION		LINK 3	0 to 1686	PREF	b9
406	1.4.1	SOURCE		LINK 4	0 to 1686	PREF	ba
407	1.4.2	DESTINATION		LINK 4	0 to 1686	PREF	bb
408	1.5.1	SOURCE		LINK 5	0 to 1686	PREF	bc
409	1.5.2	DESTINATION		LINK 5	0 to 1686	PREF	bd
410	1.6.1	SOURCE		LINK 6	0 to 1686	PREF	be
411	1.6.2	DESTINATION		LINK 6	0 to 1686	PREF	bf
412	1.7.1	SOURCE		LINK 7	0 to 1686	PREF	bg
413	1.7.2	DESTINATION		LINK 7	0 to 1686	PREF	bh
414	1.8.1	SOURCE		LINK 8	0 to 1686	PREF	bi
415	1.8.2	DESTINATION		LINK 8	0 to 1686	PREF	bj
416	1.9.1	SOURCE		LINK 9	0 to 1686	PREF	bk

2-10 Parameter Specification

Tag	Pref	DSElite name	MMI Name	Function block name	Range	Type	ID
417	1.9.2	DESTINATION		LINK 9	0 to 1686	PREF	bl
418	1.10.1	SOURCE		LINK 10	0 to 1686	PREF	bm
419	1.10.2	DESTINATION		LINK 10	0 to 1686	PREF	bn
420	1.11.1	SOURCE		LINK 11	0 to 1686	PREF	bo
421	1.11.2	DESTINATION		LINK 11	0 to 1686	PREF	bp
422	1.12.1	SOURCE		LINK 12	0 to 1686	PREF	bq
423	1.12.2	DESTINATION		LINK 12	0 to 1686	PREF	br
424	1.13.1	SOURCE		LINK 13	0 to 1686	PREF	bs
425	1.13.2	DESTINATION		LINK 13	0 to 1686	PREF	bt
426	1.14.1	SOURCE		LINK 14	0 to 1686	PREF	bu
427	1.14.2	DESTINATION		LINK 14	0 to 1686	PREF	bv
428	1.15.1	SOURCE		LINK 15	0 to 1686	PREF	bw
429	1.15.2	DESTINATION		LINK 15	0 to 1686	PREF	bx
430	1.16.1	SOURCE		LINK 16	0 to 1686	PREF	by
431	1.16.2	DESTINATION		LINK 16	0 to 1686	PREF	bz
432	1.17.1	SOURCE		LINK 17	0 to 1686	PREF	c0
433	1.17.2	DESTINATION		LINK 17	0 to 1686	PREF	c1
434	1.18.1	SOURCE		LINK 18	0 to 1686	PREF	c2
435	1.18.2	DESTINATION		LINK 18	0 to 1686	PREF	c3
436	1.19.1	SOURCE		LINK 19	0 to 1686	PREF	c4
437	1.19.2	DESTINATION		LINK 19	0 to 1686	PREF	c5
438	1.20.1	SOURCE		LINK 20	0 to 1686	PREF	c6
439	1.20.2	DESTINATION		LINK 20	0 to 1686	PREF	c7
440	1.21.1	SOURCE		LINK 21	0 to 1686	PREF	c8
441	1.21.2	DESTINATION		LINK 21	0 to 1686	PREF	c9
442	1.22.1	SOURCE		LINK 22	0 to 1686	PREF	ca
443	1.22.2	DESTINATION		LINK 22	0 to 1686	PREF	cb
444	1.23.1	SOURCE		LINK 23	0 to 1686	PREF	cc
445	1.23.2	DESTINATION		LINK 23	0 to 1686	PREF	cd
446	1.24.1	SOURCE		LINK 24	0 to 1686	PREF	ce
447	1.24.2	DESTINATION		LINK 24	0 to 1686	PREF	cf
448	1.25.1	SOURCE		LINK 25	0 to 1686	PREF	cg
449	1.25.2	DESTINATION		LINK 25	0 to 1686	PREF	ch
450	1.26.1	SOURCE		LINK 26	0 to 1686	PREF	ci
451	1.26.2	DESTINATION		LINK 26	0 to 1686	PREF	cj
452	1.27.1	SOURCE		LINK 27	0 to 1686	PREF	ck
453	1.27.2	DESTINATION		LINK 27	0 to 1686	PREF	cl
454	1.28.1	SOURCE		LINK 28	0 to 1686	PREF	cm
455	1.28.2	DESTINATION		LINK 28	0 to 1686	PREF	cn
456	1.29.1	SOURCE		LINK 29	0 to 1686	PREF	co
457	1.29.2	DESTINATION		LINK 29	0 to 1686	PREF	cp
458	1.30.1	SOURCE		LINK 30	0 to 1686	PREF	cq
459	1.30.2	DESTINATION		LINK 30	0 to 1686	PREF	cr
460	1.31.1	SOURCE		LINK 31	0 to 1686	PREF	cs
461	1.31.2	DESTINATION		LINK 31	0 to 1686	PREF	ct
462	1.32.1	SOURCE		LINK 32	0 to 1686	PREF	cu
463	1.32.2	DESTINATION		LINK 32	0 to 1686	PREF	cv
464	1.33.1	SOURCE		LINK 33	0 to 1686	PREF	cw
465	1.33.2	DESTINATION		LINK 33	0 to 1686	PREF	cx
466	1.34.1	SOURCE		LINK 34	0 to 1686	PREF	cy
467	1.34.2	DESTINATION		LINK 34	0 to 1686	PREF	cz
468	1.35.1	SOURCE		LINK 35	0 to 1686	PREF	d0
469	1.35.2	DESTINATION		LINK 35	0 to 1686	PREF	d1
470	1.36.1	SOURCE		LINK 36	0 to 1686	PREF	d2
471	1.36.2	DESTINATION		LINK 36	0 to 1686	PREF	d3
472	1.37.1	SOURCE		LINK 37	0 to 1686	PREF	d4
473	1.37.2	DESTINATION		LINK 37	0 to 1686	PREF	d5
474	1.38.1	SOURCE		LINK 38	0 to 1686	PREF	d6
475	1.38.2	DESTINATION		LINK 38	0 to 1686	PREF	d7
476	1.39.1	SOURCE		LINK 39	0 to 1686	PREF	d8
477	1.39.2	DESTINATION		LINK 39	0 to 1686	PREF	d9
478	1.40.1	SOURCE		LINK 40	0 to 1686	PREF	da
479	1.40.2	DESTINATION		LINK 40	0 to 1686	PREF	db
480	1.41.1	SOURCE		LINK 41	0 to 1686	PREF	dc
481	1.41.2	DESTINATION		LINK 41	0 to 1686	PREF	dd
482	1.42.1	SOURCE		LINK 42	0 to 1686	PREF	de
483	1.42.2	DESTINATION		LINK 42	0 to 1686	PREF	df
484	1.43.1	SOURCE		LINK 43	0 to 1686	PREF	dg
485	1.43.2	DESTINATION		LINK 43	0 to 1686	PREF	dh
486	1.44.1	SOURCE		LINK 44	0 to 1686	PREF	di
487	1.44.2	DESTINATION		LINK 44	0 to 1686	PREF	dj
488	1.45.1	SOURCE		LINK 45	0 to 1686	PREF	dk
489	1.45.2	DESTINATION		LINK 45	0 to 1686	PREF	dl

Parameter Specification 2-11

Tag	Pref	DSElite name	MMI Name	Function block name	Range	Type	ID
490	1.46.1	SOURCE		LINK 46	0 to 1686	PREF	dm
491	1.46.2	DESTINATION		LINK 46	0 to 1686	PREF	dn
492	1.47.1	SOURCE		LINK 47	0 to 1686	PREF	do
493	1.47.2	DESTINATION		LINK 47	0 to 1686	PREF	dp
494	1.48.1	SOURCE		LINK 48	0 to 1686	PREF	dq
495	1.48.2	DESTINATION		LINK 48	0 to 1686	PREF	dr
496	1.49.1	SOURCE		LINK 49	0 to 1686	PREF	ds
497	1.49.2	DESTINATION		LINK 49	0 to 1686	PREF	dt
498	1.50.1	SOURCE		LINK 50	0 to 1686	PREF	du
499	1.50.2	DESTINATION		LINK 50	0 to 1686	PREF	dv
500	51.01	TRIP 1 (NEWEST)	DIAG TH1	TRIPS HISTORY	Same as 6	ENUM	dw
501	51.02	TRIP 2	DIAG TH2	TRIPS HISTORY	Same as 6	ENUM	dx
502	51.03	TRIP 3	DIAG TH3	TRIPS HISTORY	Same as 6	ENUM	dy
503	51.04	TRIP 4	DIAG TH4	TRIPS HISTORY	Same as 6	ENUM	dz
504	51.05	TRIP 5	DIAG TH5	TRIPS HISTORY	Same as 6	ENUM	e0
505	51.06	TRIP 6	DIAG TH6	TRIPS HISTORY	Same as 6	ENUM	e1
506	51.07	TRIP 7	DIAG TH7	TRIPS HISTORY	Same as 6	ENUM	e2
507	51.08	TRIP 8	DIAG TH8	TRIPS HISTORY	Same as 6	ENUM	e3
508	51.09	TRIP 9	DIAG TH9	TRIPS HISTORY	Same as 6	ENUM	e4
509	51.10	TRIP 10 (OLDEST)	DIAG TH10	TRIPS HISTORY	Same as 6	ENUM	e5
510	17.4.2	INPUT 0		PRESET 4	-32768.00 to 32767.00	REAL	e6
511	17.4.3	INPUT 1		PRESET 4	-32768.00 to 32767.00	REAL	e7
512	17.4.4	INPUT 2		PRESET 4	-32768.00 to 32767.00	REAL	e8
513	17.4.5	INPUT 3		PRESET 4	-32768.00 to 32767.00	REAL	e9
514	17.4.6	INPUT 4		PRESET 4	-32768.00 to 32767.00	REAL	ea
515	17.4.7	INPUT 5		PRESET 4	-32768.00 to 32767.00	REAL	eb
516	17.4.8	INPUT 6		PRESET 4	-32768.00 to 32767.00	REAL	ec
517	17.4.9	INPUT 7		PRESET 4	-32768.00 to 32767.00	REAL	ed
518	17.4.1	SELECT INPUT		PRESET 4	Same as 355	ENUM	ee
519	17.4.10	OUTPUT 1		PRESET 4	Output	REAL	ef
520	17.4.11	OUTPUT 2		PRESET 4	Output	REAL	eg
560	18.11	SER NO WORD 0		COMMS PORTS	0x0000 to 0xFFFF	WORD	fk
561	18.12	SER NO WORD 0		COMMS PORTS	0x0000 to 0xFFFF	WORD	fl
562	18.13	SER NO WORD 0		COMMS PORTS	0x0000 to 0xFFFF	WORD	fm
563	18.14	SER NO WORD 0		COMMS PORTS	0x0000 to 0xFFFF	WORD	fn
564	18.15	OPTION VERSION		COMMS PORTS	0x0000 to 0xFFFF	WORD	fo
565	66.01	MODE	SET\ENC EN01	ENCODER	0 : QUADRATURE 1 : CLOCK/DIR 2 : CLOCK	ENUM	fp
566	66.04	LINES	SET\ENC EN04	ENCODER	100 to 10000	INT	fq
567	66.03	INVERT	SET\ENC EN03	ENCODER	0 to 1	BOOL	fr
568	27.07	SPEED FBK REV/S		FEEDBACKS	Output	REAL	fs
569	27.06	SPEED FBK RPM		FEEDBACKS	Output (1)	REAL	ft
570	57.01	VHz ENABLE	SET\CTRL CL03	FLYCATCHING	0 to 1	BOOL	fu
571	57.03	START MODE		FLYCATCHING	0 : ALWAYS 1 : TRIP OR POWER UP 2 : TRIP	ENUM	fv
572	57.04	SEARCH MODE		FLYCATCHING	0 : BIDIRECTIONAL 1 : UNIDIRECTION	ENUM	fw
573	57.05	SEARCH VOLTS		FLYCATCHING	0.00 to 100.00	REAL	fx
574	57.07	SEARCH TIME		FLYCATCHING	0.1 to 60.0	REAL	fy
575	57.08	MIN SEARCH SPEED		FLYCATCHING	0.0 to 500.0	REAL	fz
576	57.14	ACTIVE		FLYCATCHING	Output	BOOL	g0
577	30.02	FREQUENCY		INJ BRAKING	1.0 to 300.0	REAL	g1
578	30.03	I-LIM LEVEL		INJ BRAKING	50.0 to 150.0 (2)	REAL	g2
579	30.04	DC PULSE		INJ BRAKING	0.0 to 100.0	REAL	g3
580	30.05	FINAL DC PULSE		INJ BRAKING	0.0 to 10.0	REAL	g4
581	30.06	DC LEVEL		INJ BRAKING	0.0 to 25.0	REAL	g5
582	30.07	TIMEOUT		INJ BRAKING	0.0 to 600.0	REAL	g6
583	30.09	ACTIVE		INJ BRAKING	Output	BOOL	g7
584	69.01	ON LOAD		BRAKE CONTROL	0.00 to 150.00	REAL	g8
585	69.02	ON FREQUENCY		BRAKE CONTROL	0.0 to 500.0	REAL	g9
586	69.03	OFF FREQUENCY		BRAKE CONTROL	0.0 to 500.0	REAL	ga
587	69.04	ON HOLD TIME		BRAKE CONTROL	0.00 to 300.00	REAL	gb
588	69.05	OFF HOLD TIME		BRAKE CONTROL	0.00 to 300.00	REAL	gc
589	69.06	RELEASE		BRAKE CONTROL	Output	BOOL	gd
590	69.07	HOLD		BRAKE CONTROL	Output	BOOL	ge
591	25.03	DRIVE FREQUENCY	DIAG 1	PATTERN GEN	Output (2)	REAL	gf
594	53.03	dem dc tc		VOLTAGE CONTROL	0.002 to 5.000	REAL	gi
595	53.01	VOLTAGE MODE	SET\CTRL CL06	VOLTAGE CONTROL	0 : NONE 1 : FIXED 2 : AUTOMATIC	ENUM	gj
597	53.04	meas dc tc		VOLTAGE CONTROL	0.100 to 5.000	REAL	gl

2-12 Parameter Specification

Tag	Pref	DSElite name	MMI Name	Function block name	Range	Type	ID
598	47.17	OUTPUT		MULTIPLEXER	Output	WORD	gm
599	48.01	INPUT		DEMULTIPLEXER	0x0000 to 0xFFFF	WORD	gn
602	31.02	slew rate		STABILISATION	0.00 to 50.00	REAL	gq
603	63.01	ENABLE	SET\CTRL CL21	AUTOTUNE	0 to 1	BOOL	gr
604	63.09	ACTIVE		AUTOTUNE	Output	BOOL	gs
608	40.05	PENDING		AUTO RESTART	Output	BOOL	gw
609	40.03	TRIGGERS	SET\SETP ST23	AUTO RESTART	0x0000 to 0xFFFF	WORD	gx
610	40.10	STATE		AUTO RESTART	0 : DISABLED 1 : IDLE 2 : ARMED 3 : TIMEING 4 : LOCKED	ENUM	gy
611	40.09	EXTENDED MODE		AUTO RESTART	0 to 1	BOOL	gz
612	40.01	ATTEMPTS	SET\SETP ST21	AUTO RESTART	0 to 10	INT	h0
613	40.02	ATTEMPT DELAY	SET\SETP ST22	AUTO RESTART	0.0 to 600.0	REAL	h1
614	40.07	ATTEMPTS LEFT		AUTO RESTART	Output	INT	h2
615	40.08	TIME LEFT		AUTO RESTART	Output	REAL	h3
616	40.06	RESTARTING		AUTO RESTART	Output	BOOL	h4
617	46.02	FEEDBACK		PID	-300.00 to 300.00	REAL	h5
618	46.04	FEEDBACK GAIN		PID	-10.00 to 10.00	REAL	h6
619	46.14	ERROR		PID	Output	REAL	h7
620	24.26	FAN RUNNING		SEQUENCING LOGIC	Output	BOOL	h8
621	65.01	LEVEL	SET\SETP ST42	AT LOAD	-300.0 to 300.0 (2)	REAL	h9
622	65.02	AT OR ABOVE LOAD		AT LOAD	Output	BOOL	ha
626	70.3.1	PARAMETER		APP MENU 3	0 to 1686	PREF	he
627	70.4.1	PARAMETER		APP MENU 4	0 to 1686	PREF	hf
628	70.5.1	PARAMETER		APP MENU 5	0 to 1686	PREF	hg
629	70.6.1	PARAMETER		APP MENU 6	0 to 1686	PREF	hh
630	70.7.1	PARAMETER		APP MENU 7	0 to 1686	PREF	hi
631	70.8.1	PARAMETER		APP MENU 8	0 to 1686	PREF	hj
632	70.9.1	PARAMETER		APP MENU 9	0 to 1686	PREF	hk
633	70.10.1	PARAMETER		APP MENU 10	0 to 1686	PREF	hl
634	70.11.1	PARAMETER		APP MENU 11	0 to 1686	PREF	hm
635	70.12.1	PARAMETER		APP MENU 12	0 to 1686	PREF	hn
636	70.13.1	PARAMETER		APP MENU 13	0 to 1686	PREF	ho
637	70.14.1	PARAMETER		APP MENU 14	0 to 1686	PREF	hp
638	70.15.1	PARAMETER		APP MENU 15	0 to 1686	PREF	hq
639	70.16.1	PARAMETER		APP MENU 16	0 to 1686	PREF	hr
640	50.08	undervolts level		TRIPS STATUS	50.00 to 100.00	REAL	hs
641	47.01	INPUT 0		MULTIPLEXER	0 to 1	BOOL	ht
642	47.02	INPUT 1		MULTIPLEXER	0 to 1	BOOL	hu
643	47.03	INPUT 2		MULTIPLEXER	0 to 1	BOOL	hv
644	47.04	INPUT 3		MULTIPLEXER	0 to 1	BOOL	hw
645	47.05	INPUT 4		MULTIPLEXER	0 to 1	BOOL	hx
646	47.06	INPUT 5		MULTIPLEXER	0 to 1	BOOL	hy
647	47.07	INPUT 6		MULTIPLEXER	0 to 1	BOOL	hz
648	47.08	INPUT 7		MULTIPLEXER	0 to 1	BOOL	i0
649	47.09	INPUT 8		MULTIPLEXER	0 to 1	BOOL	i1
650	47.10	INPUT 9		MULTIPLEXER	0 to 1	BOOL	i2
651	47.11	INPUT 10		MULTIPLEXER	0 to 1	BOOL	i3
652	47.12	INPUT 11		MULTIPLEXER	0 to 1	BOOL	i4
653	47.13	INPUT 12		MULTIPLEXER	0 to 1	BOOL	i5
654	47.14	INPUT 13		MULTIPLEXER	0 to 1	BOOL	i6
655	47.15	INPUT 14		MULTIPLEXER	0 to 1	BOOL	i7
656	47.16	INPUT 15		MULTIPLEXER	0 to 1	BOOL	i8
657	48.02	OUTPUT 0		DEMULTIPLEXER	Output	BOOL	i9
658	48.03	OUTPUT 1		DEMULTIPLEXER	Output	BOOL	ia
659	48.04	OUTPUT 2		DEMULTIPLEXER	Output	BOOL	ib
660	48.05	OUTPUT 3		DEMULTIPLEXER	Output	BOOL	ic
661	48.06	OUTPUT 4		DEMULTIPLEXER	Output	BOOL	id
662	48.07	OUTPUT 5		DEMULTIPLEXER	Output	BOOL	ie
663	48.08	OUTPUT 6		DEMULTIPLEXER	Output	BOOL	if
664	48.09	OUTPUT 7		DEMULTIPLEXER	Output	BOOL	ig
665	48.10	OUTPUT 8		DEMULTIPLEXER	Output	BOOL	ih
666	48.11	OUTPUT 9		DEMULTIPLEXER	Output	BOOL	ii
667	48.12	OUTPUT 10		DEMULTIPLEXER	Output	BOOL	ij
668	48.13	OUTPUT 11		DEMULTIPLEXER	Output	BOOL	ik
669	48.14	OUTPUT 12		DEMULTIPLEXER	Output	BOOL	il
670	48.15	OUTPUT 13		DEMULTIPLEXER	Output	BOOL	im
671	48.16	OUTPUT 14		DEMULTIPLEXER	Output	BOOL	in
672	48.17	OUTPUT 15		DEMULTIPLEXER	Output	BOOL	io
673	71.2.4	COEFFICIENT B		DISPLAY SCALE 2	-32768.0000 to 32767.0000 (2)	REAL	ip

Parameter Specification 2-13

Tag	Pref	DSElite name	MMI Name	Function block name	Range	Type	ID
674	71.2.6	HIGH LIMIT		DISPLAY SCALE 2	-32768.0000 to 32767.0000 (2)	REAL	iq
675	71.2.7	LOW LIMIT		DISPLAY SCALE 2	-32768.0000 to 32767.0000 (2)	REAL	ir
676	71.2.2	FORMULA		DISPLAY SCALE 2	Same as 125	ENUM	is
680	55.04	BAND 2	SET\SETP ST14	SKIP FREQUENCIES	0.0 to 60.0	REAL	iw
683	37.01	state		motor sequencing	0 : INITIALISED 1 : PRE-CHARGING 2 : STOPPED 3 : DEFLUX DELAY 4 : CHARGING GATES 5 : CHARGING DONE 6 : DRIVE ENABLED 7 : START 8 : AUTO-TUNING 9 : AUTO-TUNING 10 : FLYCATCHING 11 : FLYCATCHING 12 : FLYCATCHING 13 : RUNNING 14 : STOPPING 15 : STOPPING 16 : STOPPING 17 : INJ BRAKING 18 : INJ BRAKING 19 : COASTING 20 : STOP DELAY 21 : POST-RUN 22 : STACK TRIPPED 23 : FLYCATCHING 24 : FLYCATCHING 25 : FLYCATCHING 26 : CUR LOOP TEST 27 : START DELAY	ENUM	iz
684	31.03	stb gain		STABILISATION	-3.000 to 3.000	REAL	j0
685	31.04	time constant		STABILISATION	0.020 to 10.000	REAL	j1
686	28.02	REGEN LIM ENABLE		CURRENT LIMIT	0 to 1	BOOL	j2
687	31.06	output		STABILISATION	Output	REAL	j3
688	31.07	trim		STABILISATION	Output	REAL	j4
689	63.02	MODE	SET\CTRL CL20	AUTOTUNE	0 : STATIONARY 1 : ROTATING	ENUM	j5
691	42.05	SRAMP CONTINUOUS	SET\SETP ST05	REFERENCE RAMP	0 to 1	BOOL	j7
694	42.04	SRAMP JERK 1	SET\SETP ST04	REFERENCE RAMP	0.01 to 100.00	REAL	ja
698	42.07	RAMPING		REFERENCE RAMP	Output	BOOL	je
700	70.6.2	SCALING		APP MENU 6	Same as 91	ENUM	jj
701	70.6.3	READ ONLY		APP MENU 6	0 to 1	BOOL	jh
702	70.6.4	IGNORE PASSWORD		APP MENU 6	0 to 1	BOOL	ji
703	70.7.2	SCALING		APP MENU 7	Same as 91	ENUM	jj
704	70.7.3	READ ONLY		APP MENU 7	0 to 1	BOOL	jk
705	70.7.4	IGNORE PASSWORD		APP MENU 7	0 to 1	BOOL	jl
706	70.8.2	SCALING		APP MENU 8	Same as 91	ENUM	jm
707	70.8.3	READ ONLY		APP MENU 8	0 to 1	BOOL	jn
708	70.8.4	IGNORE PASSWORD		APP MENU 8	0 to 1	BOOL	jo
709	57.09	REFLUX TIME		FLYCATCHING	0.1 to 20.0	REAL	jp
710	30.01	DEFLUX TIME		INJ BRAKING	0.1 to 20.0	REAL	jq
725	13.06	INVERT 6	SET\IN IP06	DIGITAL INPUTS	0 to 1	BOOL	k5
726	13.14	INPUT 6	SET\IN IPD6	DIGITAL INPUTS	Output	BOOL	k6
727	13.07	INVERT 7	SET\IN IP07	DIGITAL INPUTS	0 to 1	BOOL	k7
728	13.15	INPUT 7	SET\IN IPD7	DIGITAL INPUTS	Output	BOOL	k8
729	13.08	INVERT WORD		DIGITAL INPUTS	0x0000 to 0xFFFF	WORD	k9
730	13.16	INPUT WORD	DIAG DIN	DIGITAL INPUTS	Output	WORD	ka
731	12.2.1	VALUE	DIAG OPA2	ANALOG OUTPUT 2	-300.0 to 300.0 (2)	REAL	kb
732	12.2.2	SCALE	SET\OUT AO21	ANALOG OUTPUT 2	-300.00 to 300.00	REAL	kc
733	12.2.3	OFFSET	SET\OUT AO22	ANALOG OUTPUT 2	-300.00 to 300.00	REAL	kd
734	12.2.4	ABSOLUTE	SET\OUT AO23	ANALOG OUTPUT 2	0 to 1	BOOL	ke
735	14.07	INVERT WORD		DIGITAL OUTPUTS	0x0000 to 0xFFFF	WORD	kf
736	14.06	INVERT 3	SET\OUT OPD3	DIGITAL OUTPUTS	0 to 1	BOOL	kg
737	14.05	DIGOUT 3		DIGITAL OUTPUTS	0 to 1	BOOL	kh
738	14.08	DIGOUT WORD	DIAG DOUT	DIGITAL OUTPUTS	0x0000 to 0xFFFF	WORD	ki
739	30.08	BASE VOLTS		INJ BRAKING	0.00 to 115.47	REAL	kj
740	50.04	ACTIVE TRIPS+		TRIPS STATUS	Output	WORD	kk
741	50.06	WARNINGS+		TRIPS STATUS	Output	WORD	kl
742	50.02	DISABLE TRIPS+	SET/TRIP OT	TRIPS STATUS	0x0000 to 0xFFFF	WORD	km
744	40.04	TRIGGERS+	SET\SETP ST24	AUTO RESTART	0x0000 to 0xFFFF	WORD	ko

2-14 Parameter Specification

Tag	Pref	DSElite name	MMI Name	Function block name	Range	Type	ID
747	66.02	RESET	SET\ENC EN02	ENCODER	0 to 1	BOOL	kr
748	66.07	POSITION		ENCODER	Output	REAL	ks
749	27.08	SPEED FBK %		FEEDBACKS	Output	REAL	kt
760	54.01	INVERT THERMIST		IO TRIPS	0 to 1	BOOL	l4
769	31.05	trim clamp		STABILISATION	0.00 to 6.00	REAL	ld
770	23.14	COMMS SETPOINT		REFERENCE	Output (2)	REAL	le
774	70.9.2	SCALING		APP MENU 9	Same as 91	ENUM	li
775	70.9.3	READ ONLY		APP MENU 9	0 to 1	BOOL	lj
776	70.9.4	IGNORE PASSWORD		APP MENU 9	0 to 1	BOOL	lk
777	70.10.2	SCALING		APP MENU 10	Same as 91	ENUM	ll
778	70.10.3	READ ONLY		APP MENU 10	0 to 1	BOOL	lm
779	70.10.4	IGNORE PASSWORD		APP MENU 10	0 to 1	BOOL	ln
780	70.11.2	SCALING		APP MENU 11	Same as 91	ENUM	lo
781	70.11.3	READ ONLY		APP MENU 11	0 to 1	BOOL	lp
782	70.11.4	IGNORE PASSWORD		APP MENU 11	0 to 1	BOOL	lq
783	70.12.2	SCALING		APP MENU 12	Same as 91	ENUM	lr
784	70.12.3	READ ONLY		APP MENU 12	0 to 1	BOOL	ls
785	70.12.4	IGNORE PASSWORD		APP MENU 12	0 to 1	BOOL	lt
786	70.13.2	SCALING		APP MENU 13	Same as 91	ENUM	lu
787	70.13.3	READ ONLY		APP MENU 13	0 to 1	BOOL	lv
788	70.13.4	IGNORE PASSWORD		APP MENU 13	0 to 1	BOOL	lw
789	70.14.2	SCALING		APP MENU 14	Same as 91	ENUM	lx
790	70.14.3	READ ONLY		APP MENU 14	0 to 1	BOOL	ly
791	70.14.4	IGNORE PASSWORD		APP MENU 14	0 to 1	BOOL	lz
792	70.15.2	SCALING		APP MENU 15	Same as 91	ENUM	m0
793	70.15.3	READ ONLY		APP MENU 15	0 to 1	BOOL	m1
794	70.15.4	IGNORE PASSWORD		APP MENU 15	0 to 1	BOOL	m2
795	70.16.2	SCALING		APP MENU 16	Same as 91	ENUM	m3
796	70.16.3	READ ONLY		APP MENU 16	0 to 1	BOOL	m4
797	70.16.4	IGNORE PASSWORD		APP MENU 16	0 to 1	BOOL	m5
877	21.03	view reserved		MMI ACCESS	0 to 1	BOOL	od
878	21.02	DETAILED MENUS	SET\SETP ST99	MMI ACCESS	0 to 1	BOOL	oe
1016	7.06	DIGIO 1 SOURCE	SET\CONF DOP1	APP CONFIG	0 : NONE 1 : HEALTH 2 : TRIPPED 3 : RUNNING 4 : AT ZERO 5 : AT SPEED 6 : AT LOAD 7 : READY	ENUM	s8
1017	27.09	id		FEEDBACKS	Output (3)	REAL	s9
1018	27.10	iq		FEEDBACKS	Output (3)	REAL	sa
1020	27.05	TERMINAL VOLTS		FEEDBACKS	Output	REAL	sc
1021	33.05	vsd		FLUXING	Output	REAL	sd
1022	33.06	vsq		FLUXING	Output	REAL	se
1023	53.05	vsd		VOLTAGE CONTROL	Output	REAL	sf
1024	53.06	vsq		VOLTAGE CONTROL	Output	REAL	sg
1025	63.03	TEST DISABLE		AUTOTUNE	0x0000 to 0xFFFF	WORD	sh
1026	63.04	autocal max rpm		AUTOTUNE	0.0 to 30000.0 (0)	REAL	si
1027	63.05	imr int gain		AUTOTUNE	0.00 to 10.00	REAL	sj
1028	63.06	atn ramp time		AUTOTUNE	0.0 to 600.0	REAL	sk
1029	63.07	vdc filt gain		AUTOTUNE	0.0000 to 1.0000	REAL	sl
1030	63.08	vterm filt gain		AUTOTUNE	0.0000 to 1.0000	REAL	sm
1031	63.10	max spd rpm @cal		AUTOTUNE	0.0 to 30000.0 (0)	REAL	sn
1033	68.01	enable		trace	0 to 1	BOOL	sp
1035	68.02	hold		trace	0 to 1	BOOL	sr
1036	68.03	status		trace	Output	INT	ss
1039	70.1.2	SCALING		APP MENU 1	Same as 91	ENUM	sv
1040	70.1.3	READ ONLY		APP MENU 1	0 to 1	BOOL	sw
1041	70.1.4	IGNORE PASSWORD		APP MENU 1	0 to 1	BOOL	sx
1042	70.2.2	SCALING		APP MENU 2	Same as 91	ENUM	sy
1043	70.2.3	READ ONLY		APP MENU 2	0 to 1	BOOL	sz
1044	70.2.4	IGNORE PASSWORD		APP MENU 2	0 to 1	BOOL	t0
1046	70.3.2	SCALING		APP MENU 3	Same as 91	ENUM	t2
1047	70.3.3	READ ONLY		APP MENU 3	0 to 1	BOOL	t3
1048	70.3.4	IGNORE PASSWORD		APP MENU 3	0 to 1	BOOL	t4
1050	70.4.2	SCALING		APP MENU 4	Same as 91	ENUM	t6
1051	70.4.3	READ ONLY		APP MENU 4	0 to 1	BOOL	t7
1052	70.4.4	IGNORE PASSWORD		APP MENU 4	0 to 1	BOOL	t8
1053	70.5.4	IGNORE PASSWORD		APP MENU 5	0 to 1	BOOL	t9
1054	70.5.2	SCALING		APP MENU 5	Same as 91	ENUM	ta
1055	70.5.3	READ ONLY		APP MENU 5	0 to 1	BOOL	tb
1056	26.04	igbt volt drop		waveform gen	0.00 to 2.00	REAL	tc

Parameter Specification 2-15

Tag	Pref	DSElite name	MMI Name	Function block name	Range	Type	ID
1057	62.20	cl bandwidth		mras	0.1 to 3.0 (0)	REAL	td
1058	33.07	601 FLUXING	SET\CTRL CL07	FLUXING	0 to 1	BOOL	te
1059	18.07	P3 PORT PROTOCOL	SET\SERL SE08	COMMS PORTS	Same as 117	ENUM	tf
1060	18.06	OP PORT PROTOCOL	SET\SERL SE07	COMMS PORTS	Same as 117	ENUM	tg
1061	18.04	PARITY	SET\SERL SE05	COMMS PORTS	0 : NONE 1 : ODD 2 : EVEN	ENUM	th
1062	18.03	BAUD RATE	SET\SERL SE04	COMMS PORTS	0 : 1200 1 : 2400 2 : 4800 3 : 7200 4 : 9600 5 : 14400 6 : 19200 7 : 38400 8 : 57600	ENUM	ti
1063	63.18	small motor lim		AUTOTUNE	0.00 to 355.00 (1)	REAL	tj
1064	7.07	APP LOCK	SET\SETP ST98	APP CONFIG	0 to 1	BOOL	tk
1065	0.25	PHASE CUR SELECT		PROD DATA	0 to 2	INT	tl
1066	0.26	PHASE CUR AMPS		PROD DATA	Output (1)	REAL	tm
1067	0.01	PRODUCT CODE ID		PROD DATA	0 to 100	INT	tn
1068	0.02	60Hz DEFAULT		PROD DATA	0 to 1	BOOL	to
1069	0.03	LINK VOLTS CAL		PROD DATA	0 to 255	INT	tp
1070	0.04	LINK GAIN CAL		PROD DATA	0 to 255	INT	tq
1071	0.05	DUMMY VARIABLE		PROD DATA	0 to 255	INT	tr
1072	0.06	DUMMY VARIABLE		PROD DATA	0 to 255	INT	ts
1073	0.07	IFB1 GAIN CAL		PROD DATA	0 to 255	INT	tt
1074	0.08	IFB2 GAIN CAL		PROD DATA	0 to 255	INT	tu
1075	0.09	VCC CAL		PROD DATA	0 to 255	INT	tv
1076	0.10	ANIN1 ZERO CAL		PROD DATA	0 to 255	INT	tw
1077	0.11	ANIN1 GAIN CAL		PROD DATA	0 to 255	INT	tx
1078	0.12	ANIN2 ZERO CAL		PROD DATA	0 to 255	INT	ty
1079	0.13	ANIN2 GAIN CAL		PROD DATA	0 to 255	INT	tz
1080	0.14	ANIN2 M1 CAL		PROD DATA	0 to 255	INT	u0
1081	0.15	ANIN2 M2 CAL		PROD DATA	0 to 255	INT	u1
1082	0.16	ANIN2 K CAL		PROD DATA	0 to 255	INT	u2
1083	0.17	AOUT1 OFFSET CAL		PROD DATA	0 to 255	INT	u3
1084	0.18	AOUT1 GAIN CAL		PROD DATA	0 to 255	INT	u4
1085	0.19	SECS POWERED		PROD DATA	Output	INT	u5
1086	0.20	MINS POWERED		PROD DATA	Output	INT	u6
1087	0.21	HRS POWERED		PROD DATA	Output	INT	u7
1088	0.22	SECS RUNNING		PROD DATA	Output	INT	u8
1089	0.23	MINS RUNNING		PROD DATA	Output	INT	u9
1090	0.24	HRS RUNNING		PROD DATA	Output	INT	ua
1091	7.01	APPLICATION	PAR 1	APP CONFIG	0 : NULL 1 : STANDARD 2 : LOCAL/REM 3 : PRESETS 4 : RAISE/LOWER 5 : PID 6 : AUX COMMS 7 : APP 7 8 : APP 8 9 : CUSTOM	ENUM	ub
1092	7.02	ANOUT 1 SOURCE	SET\CONF AOP1	APP CONFIG	0 : NONE 1 : DEMAND 2 : CURRENT 3 : PID ERROR 4 : R/L OUTPUT	ENUM	uc
1093	7.04	RELAY SOURCE	SET\CONF DOP3	APP CONFIG	Same as 1016	ENUM	ud
1094	7.05	DIGIO 2 SOURCE	SET\CONF DOP2	APP CONFIG	Same as 1016	ENUM	ue
1095	52.01	HYSTERISIS		AT SPEED	0.0 to 300.0 (2)	REAL	uf
1096	52.02	AT SPEED		AT SPEED	Output	BOOL	ug
1097	41.07	REMOTE SELECT		LOCAL CONTROL	Output	BOOL	uh
1098	46.11	INTEGRAL DEFEAT		PID	0 to 1	BOOL	ui
1099	10.04	FORCE TO ZERO		ANALOG INPUT 1	0 to 1	BOOL	uj
1100	11.05	FORCE TO ZERO		ANALOG INPUT 2	0 to 1	BOOL	uk
1109	7.03	ANOUT 2 SOURCE	SET\CONF AOP2	APP CONFIG	Same as 1092	ENUM	ut
1110	22.03	DISP 2 VERSION		DISPLAY/KEYPAD	Output	WORD	uu
1111	58.01	i loop prop gain		current loop	0.00 to 10.00	REAL	uv
1112	58.02	i loop int gain		current loop	0.00 to 1.00	REAL	uw
1114	58.04	test mode		current loop	0 to 1	BOOL	uy
1115	58.05	test period		current loop	2 to 1000	INT	uz
1116	58.06	test amplitude		current loop	0.00 to 2.00	REAL	v0

2-16 Parameter Specification

Tag	Pref	DSElite name	MMI Name	Function block name	Range	Type	ID
1117	58.07	test offset		current loop	0.00 to 2.00	REAL	v1
1118	58.08	test phase		current loop	0 : U PHASE 1 : V PHASE 2 : W PHASE 3 : V -U PHASES 4 : W -V PHASES 5 : U -W PHASES	ENUM	v2
1119	60.01	imr prop gain		flux control	0.0 to 10.0	REAL	v3
1120	60.02	rated id		flux control	Output	REAL	v4
1121	60.03	rated iq		flux control	Output	REAL	v5
1122	60.04	imr demand		flux control	Output	REAL	v6
1123	60.05	imr		flux control	Output	REAL	v7
1124	60.06	imr from feedbk		flux control	0 to 1	BOOL	v8
1125	60.07	id dmd hdroom		flux control	0.0 to 100.0	REAL	v9
1126	60.08	min id demand		flux control	-80.0 to 0.0	REAL	va
1137	60.09	mag i scale 0		flux control	100.0 to 100.0	REAL	vl
1138	60.10	mag i scale 1		flux control	0.0 to 100.0	REAL	vm
1139	60.11	mag i scale 2		flux control	0.0 to 100.0	REAL	vn
1140	60.12	mag i scale 3		flux control	0.0 to 100.0	REAL	vo
1141	60.13	mag i scale 4		flux control	0.0 to 100.0	REAL	vp
1142	60.14	mag i scale 5		flux control	0.0 to 100.0	REAL	vq
1143	60.15	mag i scale 6		flux control	0.0 to 100.0	REAL	vr
1148	32.01	AIMING POINT		INVERSE TIME	50.0 to 105.0 (2)	REAL	vw
1149	32.02	DELAY		INVERSE TIME	5.0 to 30.0	REAL	vx
1150	32.03	DOWN TIME		INVERSE TIME	1.0 to 10.0	REAL	vy
1151	32.04	UP TIME		INVERSE TIME	1.0 to 600.0	REAL	vz
1152	32.05	IT LIMITING		INVERSE TIME	Output	BOOL	w0
1153	32.06	INVERSE TIME OP		INVERSE TIME	Output (2)	REAL	w1
1155	54.03	THERMIST STATE		IO TRIPS	Output	BOOL	w3
1157	35.07	CONTROL MODE	SET\CTRL CL01	MOTOR DATA	0 : VOLTS / Hz 1 : SENSORLESS VEC	ENUM	w5
1158	35.08	POWER	SET\CTRL CL15	MOTOR DATA	0.00 to 355.00 (1)	REAL	w6
1159	35.01	BASE FREQUENCY	PAR 7	MOTOR DATA	7.5 to 300.0	REAL	w7
1160	35.02	MOTOR VOLTAGE	SET\CTRL CL12	MOTOR DATA	0.0 to 575.0	REAL	w8
1161	35.12	inertia		MOTOR DATA	0.0000 to 30.0000 (3)	REAL	w9
1162	35.13	viscous friction		MOTOR DATA	0.0 to 1000.0	REAL	wa
1163	35.17	ROTOR TIME CONST	SET\CTRL CL1A	MOTOR DATA	10.00 to 3000.00 (1)	REAL	wb
1164	35.11	OVERLOAD		MOTOR DATA	1.0 to 5.0	REAL	wc
1166	62.11	speed %		mras	Output	REAL	we
1167	62.12	speed rev/s		mras	Output (0)	REAL	wf
1168	62.13	field angle		mras	Output	REAL	wg
1169	62.14	field frequency		mras	Output	REAL	wh
1170	62.15	torque %		mras	Output	REAL	wi
1171	62.16	torque nm		mras	Output	REAL	wj
1172	62.18	high speed op		mras	Output	BOOL	wk
1173	62.17	low speed op		mras	Output	BOOL	wl
1174	62.01	coupling kc		mras	0.0000 to 300.0000 (3)	REAL	wm
1175	62.02	coupling ti		mras	0.0000 to 10.0000 (3)	REAL	wn
1176	62.03	adaptive kc		mras	0.0000 to 300.0000 (3)	REAL	wo
1177	62.04	adaptive ti		mras	0.0000 to 10.0000 (3)	REAL	wp
1178	62.05	adaptive td		mras	0.0000 to 3.0000	REAL	wq
1179	62.06	wmr slw lim @ bs		mras	5 to 5000	INT	wr
1181	9.01	address hi word		peek data	0x0000 to 0xFFFF	WORD	wt
1182	9.03	enable		peek data	0 to 1	BOOL	wu
1184	9.04	access size		peek data	0 : 8-BIT 1 : 16-BIT 2 : REAL	ENUM	ww
1186	9.06	output as real		peek data	Output (2)	REAL	wy
1187	59.01	SPEED PROP GAIN	SET\CTRL CL91	SPEED LOOP	0.00 to 300.00	REAL	wz
1188	59.02	SPEED INT TIME	SET\CTRL CL92	SPEED LOOP	1. to 15000.	REAL	x0
1189	59.03	INT DEFEAT		SPEED LOOP	0 to 1	BOOL	x1
1190	59.04	SPEED INT PRESET		SPEED LOOP	-500.00 to 500.00 (1)	REAL	x2
1191	59.05	SPEED DMD FILTER		SPEED LOOP	0.0 to 14.0	REAL	x3
1192	59.06	SPEED FBK FILTER		SPEED LOOP	0.0 to 15.0	REAL	x4
1193	59.07	(AUX) TORQUE DMD		SPEED LOOP	-300.00 to 300.00	REAL	x5
1194	59.11	ADAPTIVE THRESH		SPEED LOOP	0.00 to 10.00	REAL	x6
1195	59.12	ADAPTIVE P-GAIN		SPEED LOOP	0.00 to 300.00	REAL	x7
1200	59.08	SPEED POS LIM	SET\CTRL CL93	SPEED LOOP	-110.00 to 110.00	REAL	xc
1201	59.09	SPEED NEG LIM	SET\CTRL CL94	SPEED LOOP	-110.00 to 110.00	REAL	xd
1202	59.10	TORQ CTRL MODE		SPEED LOOP	0 to 1	BOOL	xe
1203	59.13	TOTL SPD DMD RPM		SPEED LOOP	Output (0)	REAL	xf
1204	59.16	TORQUE DEMAND		SPEED LOOP	Output	REAL	xg
1206	59.14	TOTAL SPD DMD %		SPEED LOOP	Output	REAL	xi

Parameter Specification 2-17

Tag	Pref	DSElite name	MMI Name	Function block name	Range	Type	ID
1207	59.15	SPEED ERROR		SPEED LOOP	Output	REAL	xj
1208	38.01	POS TORQUE LIM	SET\CTRL CL82	TORQUE LIMIT	-500.0 to 500.0	REAL	xk
1209	38.02	NEG TORQUE LIM	SET\CTRL CL83	TORQUE LIMIT	-500.0 to 500.0	REAL	xl
1210	38.03	MAIN TORQUE LIM		TORQUE LIMIT	0.0 to 500.0	REAL	xm
1211	38.04	SYMMETRIC LIM		TORQUE LIMIT	0 to 1	BOOL	xn
1212	38.05	ACTUAL POS LIM		TORQUE LIMIT	Output (2)	REAL	xo
1213	38.06	ACTUAL NEG LIM		TORQUE LIMIT	Output (2)	REAL	xp
1214	61.01	tvolts int range		tr adaptation	0.0 to 100.0	REAL	xq
1215	61.02	iq @ tv intgn =0		tr adaptation	0.1 to 2.0	REAL	xr
1216	61.03	iq @max tv intgn		tr adaptation	0.1 to 4.0	REAL	xs
1217	61.04	loop respnse=ntr		tr adaptation	3. to 50.	REAL	xt
1218	61.05	spd @tv int =0		tr adaptation	20. to 90.	REAL	xu
1219	61.06	load at base spd		tr adaptation	0. to 20.	REAL	xv
1220	61.07	term v integral		tr adaptation	Output	REAL	xw
1221	61.08	max avail volts		tr adaptation	Output (0)	REAL	xx
1222	67.02	filtered ripple		vdc ripple	Output	REAL	xy
1223	67.01	max ripple		vdc ripple	10.0 to 500.0	REAL	xz
1229	26.03	underlap comp		waveform gen	0 to 1	BOOL	y5
1230	26.01	vsd		waveform gen	Output	REAL	y6
1231	26.02	vsq		waveform gen	Output	REAL	y7
1232	26.05	trip events		waveform gen	Output	INT	y8
1233	49.03	AT ZERO SPEED		ZERO SPEED	Output	BOOL	y9
1235	24.05	CONTACTOR CLOSED		SEQUENCING LOGIC	0 to 1	BOOL	yb
1239	63.11	lkge l test crnt		AUTOTUNE	0.00 to 1.00	REAL	yf
1240	63.12	lkge l test freq		AUTOTUNE	0.0 to 100.0 (2)	REAL	yg
1241	63.13	lkge exctn p gn		AUTOTUNE	0.0000 to 1.0000	REAL	yh
1242	63.14	lkge exctn i gn		AUTOTUNE	0.0000 to 1.0000	REAL	yi
1243	63.15	lkge dc offset		AUTOTUNE	0.000 to 1.000	REAL	yj
1246	63.16	psd filter gn		AUTOTUNE	0.000 to 1.000	REAL	ym
1247	46.01	SETPOINT		PID	-300.00 to 300.00	REAL	yn
1248	46.03	FEED FWD		PID	-300.00 to 300.00	REAL	yo
1249	46.05	FEED FWD GAIN		PID	-10.00 to 10.00	REAL	yp
1250	46.06	P GAIN		PID	0.00 to 100.00	REAL	yq
1251	46.07	I GAIN		PID	0.00 to 100.00	REAL	yr
1252	46.08	D GAIN		PID	0.00 to 100.00	REAL	ys
1253	46.09	LIMIT		PID	0.00 to 300.00	REAL	yt
1254	46.10	ENABLE PID		PID	0 to 1	BOOL	yu
1255	46.12	D FILTER TC		PID	0.05 to 5.00	REAL	yv
1256	46.13	OUTPUT		PID	Output	REAL	yw
1257	46.15	LIMITING		PID	Output	BOOL	yx
1258	46.16	OUTPUT SCALING		PID	-3.0000 to 3.0000	REAL	yy
1259	65.03	ABSOLUTE	SET\SETP ST43	AT LOAD	0 to 1	BOOL	yz
1260	18.05	REPLY DELAY ms	SET\SERL SE06	COMMS PORTS	0 to 200	INT	z0
1296	15.11.1	INPUT A		VALUE FUNC 11	-32768.00 to 32767.00	REAL	aA
1297	15.11.2	INPUT B		VALUE FUNC 11	-32768.00 to 32767.00	REAL	aB
1298	15.11.3	INPUT C		VALUE FUNC 11	-32768.00 to 32767.00	REAL	aC
1299	15.11.5	OUTPUT		VALUE FUNC 11	Output	REAL	aD
1300	15.11.4	TYPE		VALUE FUNC 11	Same as 134	ENUM	aE
1301	15.12.1	INPUT A		VALUE FUNC 12	-32768.00 to 32767.00	REAL	aF
1302	15.12.2	INPUT B		VALUE FUNC 12	-32768.00 to 32767.00	REAL	aG
1303	15.12.3	INPUT C		VALUE FUNC 12	-32768.00 to 32767.00	REAL	aH
1304	15.12.5	OUTPUT		VALUE FUNC 12	Output	REAL	aI
1305	15.12.4	TYPE		VALUE FUNC 12	Same as 134	ENUM	aJ
1306	15.13.1	INPUT A		VALUE FUNC 13	-32768.00 to 32767.00	REAL	aK
1307	15.13.2	INPUT B		VALUE FUNC 13	-32768.00 to 32767.00	REAL	aL
1308	15.13.3	INPUT C		VALUE FUNC 13	-32768.00 to 32767.00	REAL	aM
1309	15.13.5	OUTPUT		VALUE FUNC 13	Output	REAL	aN
1310	15.13.4	TYPE		VALUE FUNC 13	Same as 134	ENUM	aO
1311	15.14.1	INPUT A		VALUE FUNC 14	-32768.00 to 32767.00	REAL	aP
1312	15.14.2	INPUT B		VALUE FUNC 14	-32768.00 to 32767.00	REAL	aQ
1313	15.14.3	INPUT C		VALUE FUNC 14	-32768.00 to 32767.00	REAL	aR
1314	15.14.5	OUTPUT		VALUE FUNC 14	Output	REAL	aS
1315	15.14.4	TYPE		VALUE FUNC 14	Same as 134	ENUM	aT
1316	15.15.1	INPUT A		VALUE FUNC 15	-32768.00 to 32767.00	REAL	aU
1317	15.15.2	INPUT B		VALUE FUNC 15	-32768.00 to 32767.00	REAL	aV
1318	15.15.3	INPUT C		VALUE FUNC 15	-32768.00 to 32767.00	REAL	aW
1319	15.15.5	OUTPUT		VALUE FUNC 15	Output	REAL	aX
1320	15.15.4	TYPE		VALUE FUNC 15	Same as 134	ENUM	aY
1346	16.11.1	INPUT A		LOGIC FUNC 11	0 to 1	BOOL	bY
1347	16.11.2	INPUT B		LOGIC FUNC 11	0 to 1	BOOL	bZ
1348	16.11.3	INPUT C		LOGIC FUNC 11	0 to 1	BOOL	cA
1349	16.11.5	OUTPUT		LOGIC FUNC 11	Output	BOOL	cB
1350	16.11.4	TYPE		LOGIC FUNC 11	Same as 184	ENUM	cC

2-18 Parameter Specification

Tag	Pref	DSElite name	MMI Name	Function block name	Range	Type	ID
1351	16.12.1	INPUT A		LOGIC FUNC 12	0 to 1	BOOL	cD
1352	16.12.2	INPUT B		LOGIC FUNC 12	0 to 1	BOOL	cE
1353	16.12.3	INPUT C		LOGIC FUNC 12	0 to 1	BOOL	cF
1354	16.12.5	OUTPUT		LOGIC FUNC 12	Output	BOOL	cG
1355	16.12.4	TYPE		LOGIC FUNC 12	Same as 184	ENUM	cH
1356	16.13.1	INPUT A		LOGIC FUNC 13	0 to 1	BOOL	cI
1357	16.13.2	INPUT B		LOGIC FUNC 13	0 to 1	BOOL	cJ
1358	16.13.3	INPUT C		LOGIC FUNC 13	0 to 1	BOOL	cK
1359	16.13.5	OUTPUT		LOGIC FUNC 13	Output	BOOL	cL
1360	16.13.4	TYPE		LOGIC FUNC 13	Same as 184	ENUM	cM
1361	16.14.1	INPUT A		LOGIC FUNC 14	0 to 1	BOOL	cN
1362	16.14.2	INPUT B		LOGIC FUNC 14	0 to 1	BOOL	cO
1363	16.14.3	INPUT C		LOGIC FUNC 14	0 to 1	BOOL	cP
1364	16.14.5	OUTPUT		LOGIC FUNC 14	Output	BOOL	cQ
1365	16.14.4	TYPE		LOGIC FUNC 14	Same as 184	ENUM	cR
1366	16.15.1	INPUT A		LOGIC FUNC 15	0 to 1	BOOL	cS
1367	16.15.2	INPUT B		LOGIC FUNC 15	0 to 1	BOOL	cT
1368	16.15.3	INPUT C		LOGIC FUNC 15	0 to 1	BOOL	cU
1369	16.15.5	OUTPUT		LOGIC FUNC 15	Output	BOOL	cV
1370	16.15.4	TYPE		LOGIC FUNC 15	Same as 184	ENUM	cW
1400	1.51.1	SOURCE		LINK 51	0 to 1686	PREF	eA
1401	1.51.2	DESTINATION		LINK 51	0 to 1686	PREF	eB
1402	1.52.1	SOURCE		LINK 52	0 to 1686	PREF	eC
1403	1.52.2	DESTINATION		LINK 52	0 to 1686	PREF	eD
1404	1.53.1	SOURCE		LINK 53	0 to 1686	PREF	eE
1405	1.53.2	DESTINATION		LINK 53	0 to 1686	PREF	eF
1406	1.54.1	SOURCE		LINK 54	0 to 1686	PREF	eG
1407	1.54.2	DESTINATION		LINK 54	0 to 1686	PREF	eH
1408	1.55.1	SOURCE		LINK 55	0 to 1686	PREF	eI
1409	1.55.2	DESTINATION		LINK 55	0 to 1686	PREF	eJ
1410	1.56.1	SOURCE		LINK 56	0 to 1686	PREF	eK
1411	1.56.2	DESTINATION		LINK 56	0 to 1686	PREF	eL
1412	1.57.1	SOURCE		LINK 57	0 to 1686	PREF	eM
1413	1.57.2	DESTINATION		LINK 57	0 to 1686	PREF	eN
1414	1.58.1	SOURCE		LINK 58	0 to 1686	PREF	eO
1415	1.58.2	DESTINATION		LINK 58	0 to 1686	PREF	eP
1416	1.59.1	SOURCE		LINK 59	0 to 1686	PREF	eQ
1417	1.59.2	DESTINATION		LINK 59	0 to 1686	PREF	eR
1418	1.60.1	SOURCE		LINK 60	0 to 1686	PREF	eS
1419	1.60.2	DESTINATION		LINK 60	0 to 1686	PREF	eT
1420	1.61.1	SOURCE		LINK 61	0 to 1686	PREF	eU
1421	1.61.2	DESTINATION		LINK 61	0 to 1686	PREF	eV
1422	1.62.1	SOURCE		LINK 62	0 to 1686	PREF	eW
1423	1.62.2	DESTINATION		LINK 62	0 to 1686	PREF	eX
1424	1.63.1	SOURCE		LINK 63	0 to 1686	PREF	eY
1425	1.63.2	DESTINATION		LINK 63	0 to 1686	PREF	eZ
1426	1.64.1	SOURCE		LINK 64	0 to 1686	PREF	fA
1427	1.64.2	DESTINATION		LINK 64	0 to 1686	PREF	fB
1428	1.65.1	SOURCE		LINK 65	0 to 1686	PREF	fC
1429	1.65.2	DESTINATION		LINK 65	0 to 1686	PREF	fD
1430	1.66.1	SOURCE		LINK 66	0 to 1686	PREF	fE
1431	1.66.2	DESTINATION		LINK 66	0 to 1686	PREF	fF
1432	1.67.1	SOURCE		LINK 67	0 to 1686	PREF	fG
1433	1.67.2	DESTINATION		LINK 67	0 to 1686	PREF	fH
1434	1.68.1	SOURCE		LINK 68	0 to 1686	PREF	fI
1435	1.68.2	DESTINATION		LINK 68	0 to 1686	PREF	fJ
1436	1.69.1	SOURCE		LINK 69	0 to 1686	PREF	fK
1437	1.69.2	DESTINATION		LINK 69	0 to 1686	PREF	fL
1438	1.70.1	SOURCE		LINK 70	0 to 1686	PREF	fM
1439	1.70.2	DESTINATION		LINK 70	0 to 1686	PREF	fN
1440	1.71.1	SOURCE		LINK 71	0 to 1686	PREF	fO
1441	1.71.2	DESTINATION		LINK 71	0 to 1686	PREF	fP
1442	1.72.1	SOURCE		LINK 72	0 to 1686	PREF	fQ
1443	1.72.2	DESTINATION		LINK 72	0 to 1686	PREF	fR
1444	1.73.1	SOURCE		LINK 73	0 to 1686	PREF	fS
1445	1.73.2	DESTINATION		LINK 73	0 to 1686	PREF	fT
1446	1.74.1	SOURCE		LINK 74	0 to 1686	PREF	fU
1447	1.74.2	DESTINATION		LINK 74	0 to 1686	PREF	fV
1448	1.75.1	SOURCE		LINK 75	0 to 1686	PREF	fW
1449	1.75.2	DESTINATION		LINK 75	0 to 1686	PREF	fX
1450	1.76.1	SOURCE		LINK 76	0 to 1686	PREF	fY
1451	1.76.2	DESTINATION		LINK 76	0 to 1686	PREF	fZ
1452	1.77.1	SOURCE		LINK 77	0 to 1686	PREF	gA

Parameter Specification 2-19

Tag	Pref	DSElite name	MMI Name	Function block name	Range	Type	ID
1453	1.77.2	DESTINATION		LINK 77	0 to 1686	PREF	gB
1454	1.78.1	SOURCE		LINK 78	0 to 1686	PREF	gC
1455	1.78.2	DESTINATION		LINK 78	0 to 1686	PREF	gD
1456	1.79.1	SOURCE		LINK 79	0 to 1686	PREF	gE
1457	1.79.2	DESTINATION		LINK 79	0 to 1686	PREF	gF
1458	1.80.1	SOURCE		LINK 80	0 to 1686	PREF	gG
1459	1.80.2	DESTINATION		LINK 80	0 to 1686	PREF	gH
1460	70.1.5	NAME		APP MENU 1		STRING	gI
1461	70.2.5	NAME		APP MENU 2		STRING	gJ
1462	70.3.5	NAME		APP MENU 3		STRING	gK
1463	70.4.5	NAME		APP MENU 4		STRING	gL
1464	70.5.5	NAME		APP MENU 5		STRING	gM
1465	70.6.5	NAME		APP MENU 6		STRING	gN
1466	70.7.5	NAME		APP MENU 7		STRING	gO
1467	70.8.5	NAME		APP MENU 8		STRING	gP
1468	70.9.5	NAME		APP MENU 9		STRING	gQ
1469	70.10.5	NAME		APP MENU 10		STRING	gR
1470	70.11.5	NAME		APP MENU 11		STRING	gS
1471	70.12.5	NAME		APP MENU 12		STRING	gT
1472	70.13.5	NAME		APP MENU 13		STRING	gU
1473	70.14.5	NAME		APP MENU 14		STRING	gV
1474	70.15.5	NAME		APP MENU 15		STRING	gW
1475	70.16.5	NAME		APP MENU 16		STRING	gX
1551	60.16	link v cmpnsat'n		flux control	0 to 1	BOOL	jV
1552	60.17	link v filt gain		flux control	0.001 to 1.000	REAL	jW
1553	57.02	VECTOR ENABLE	SET\CTRL CL03	FLYCATCHING	0 to 1	BOOL	jX
1554	38.07	FAST STOP T-LIM		TORQUE LIMIT	-300.00 to 300.00	REAL	jY
1555	62.09	flux corr kc		mras	0.0000 to 30.0000 (3)	REAL	jZ
1556	62.10	alt volts model		mras	0 to 1	BOOL	kA
1557	62.07	ls low thresh		mras	0.00 to 500.00 (1)	REAL	kB
1558	62.08	ls high thresh		mras	0.00 to 500.00 (1)	REAL	kC
1603	64.01	RESET		ENERGY METER	0 to 1	BOOL	lV
1604	64.02	POWER		ENERGY METER	Output (1)	REAL	lW
1605	64.03	POWER		ENERGY METER	Output (1)	REAL	lX
1606	64.04	REACTIVE POWER		ENERGY METER	Output (1)	REAL	lY
1607	64.05	ENERGY USED		ENERGY METER	Output	REAL	lZ
1608	64.06	kW min		ENERGY METER	Output	REAL	mA
1615	62.19	al bandwidth		mras	0 to 10	INT	mH
1616	60.18	L0 scale range		flux control	0.0 to 90.0	REAL	mI
1617	60.19	L0 scale 0		flux control	100.0 to 100.0	REAL	mJ
1618	60.20	L0 scale 1		flux control	10.0 to 190.0	REAL	mK
1619	60.21	L0 scale 2		flux control	10.0 to 190.0	REAL	mL
1620	60.22	L0 scale 3		flux control	10.0 to 190.0	REAL	mM
1621	60.23	L0 scale 4		flux control	10.0 to 190.0	REAL	mN
1622	60.24	L0 scale 5		flux control	10.0 to 190.0	REAL	mO
1623	60.25	L0 scale 6		flux control	10.0 to 190.0	REAL	mP
1627	63.17	last measured pt		AUTOTUNE	0 to 9	INT	mT
1628	58.03	int frze enabled		current loop	0 to 1	BOOL	mU
1629	25.04	reduced freq		PATTERN GEN	500 to 3000	INT	mV
1630	58.09	interrupt margin		current loop	Output	INT	mW
1631	58.10	margin count		current loop	Output	INT	mX
1632	56.03	STALL LIMIT TYPE	SET\CTRL CL84	STALL TRIP	0 to 1	BOOL	mY
1633	25.06	max stack freq		PATTERN GEN	2000 to 4000	INT	mZ
1651	61.10	low spd Tr comp		tr adaptation	0 to 1	BOOL	nR
1652	61.11	lspd comp p gain		tr adaptation	0.00 to 100.00	REAL	nS
1653	61.12	lspd comp i gain		tr adaptation	0.00 to 100.00	REAL	nT
1654	61.13	actual Tr		tr adaptation	Output (0)	REAL	nU
1655	33.08	ENERGY SAVING	SET\CTRL CL09	FLUXING	0 to 1	BOOL	nV
1656	33.09	ACCEL BOOST		FLUXING	0.00 to 25.00	REAL	nW
1657	33.10	USER FREQ 1		FLUXING	0.0 to 100.0 (2)	REAL	nX
1658	33.11	USER VOLTAGE 1		FLUXING	0.0 to 100.0 (2)	REAL	nY
1659	33.12	USER FREQ 2		FLUXING	0.0 to 100.0 (2)	REAL	nZ
1660	33.13	USER VOLTAGE 2		FLUXING	0.0 to 100.0 (2)	REAL	oA
1661	33.14	USER FREQ 3		FLUXING	0.0 to 100.0 (2)	REAL	oB
1662	33.15	USER VOLTAGE 3		FLUXING	0.0 to 100.0 (2)	REAL	oC
1663	33.16	USER FREQ 4		FLUXING	0.0 to 100.0 (2)	REAL	oD
1664	33.17	USER VOLTAGE 4		FLUXING	0.0 to 100.0 (2)	REAL	oE
1679	33.18	LOW ENERGY LIM		FLUXING	0.0 to 100.0 (2)	REAL	oT
1686	24.25	START DELAY		SEQUENCING LOGIC	0.000 to 30.000	REAL	pA









2-20 Parameter Specification

MMI Parameters

MMI Name	ASCII MMI Name	Function Block Name	DSELITE Name	Notes	TAG	ID
DIAG Menu (Diagnostic)						
DIAG 1	DRIVE FREQUENCY	PATTERN GEN	DRIVE FREQUENCY		591	gf
DIAG 2	SPEED SETPOINT	REFERENCE	SPEED SETPOINT		254	72
DIAG 3	DC LINK VOLTS	FEEDBACKS	DC LINK VOLTS		75	23
DIAG 4	MOTOR CURRENT	FEEDBACKS	MOTOR CURRENT A		67	1v
DIAG DIN	DIGIN WORD	DIGITAL INPUTS	INPUT WORD		730	ka
DIAG IPA1	ANIN 1 VALUE	ANALOG INPUT 1	VALUE		16	0g
DIAG IPA2	ANIN 2 VALUE	ANALOG INPUT 2	VALUE		25	0p
DIAG DOUT	DIGOUT WORD	DIGITAL OUTPUTS	DIGOUT WORD		738	ki
DIAG OPA1	ANOUT 1 VALUE	ANALOG OUTPUT	VALUE		45	19
DIAG OPA2	ANOUT 2 VALUE	ANALOG OUTPUT	VALUE		731	kb
DIAG TH1	TRIP 1 (NEWEST)	TRIPS HISTORY	TRIP 1 (NEWEST)		500	dw
DIAG TH2	TRIP 2	TRIPS HISTORY	TRIP 2		501	dx
DIAG TH3	TRIP 3	TRIPS HISTORY	TRIP 3		502	dy
DIAG TH4	TRIP 4	TRIPS HISTORY	TRIP 4		503	dz
DIAG TH5	TRIP 5	TRIPS HISTORY	TRIP 5		504	e0
DIAG TH6	TRIP 6	TRIPS HISTORY	TRIP 6		505	e1
DIAG TH7	TRIP 7	TRIPS HISTORY	TRIP 7		506	e2
DIAG TH8	TRIP 8	TRIPS HISTORY	TRIP 8		507	e3
DIAG TH9	TRIP 9	TRIPS HISTORY	TRIP 9		508	e4
DIAG TH10	TRIP 10 (OLDEST)	TRIPS HISTORY	TRIP 10 (OLDEST)		509	e5
PAR Menu (Parameter)						
PAR 1	APPLICATION	APP CONFIG	APPLICATION		1091	ub
PAR 2	MAX SPEED	REFERENCE	MAX SPEED	M	57	1l
PAR 3	MIN SPEED	MINIMUM SPEED	MINIMUM		337	9d
PAR 4	ACCEL TIME	REFERENCE RAMP	ACCEL TIME		258	76
PAR 5	DECEL TIME	REFERENCE RAMP	DECEL TIME		259	77
PAR 6	MOTOR CURRENT	MOTOR DATA	MOTOR CURRENT	M	64	1s
PAR 7	BASE FREQUENCY	MOTOR DATA	BASE FREQUENCY	M	1159	w7
PAR 8	JOG SETPOINT	REFERENCE JOG	SETPOINT		246	6u
PAR 9	RUN STOP MODE	REFERENCE STOP	RUN STOP MODE		279	7r
PAR 11	V/F SHAPE	FLUXING	V/F SHAPE		104	2w
PAR 12	NORMAL DUTY	FEEDBACKS	NORMAL DUTY		50	1e
PAR 13	FIXED BOOST	FLUXING	FIXED BOOST	M VF	107	2z
PAR 14	AUTO BOOST	FLUXING	AUTO BOOST	M VF	108	30
PAR 99	PASSWORD	MMI ACCESS	PASSWORD		8	08
CTRL Menu (Control)						
SET\CTRL CL01	CONTROL MODE	MOTOR DATA	CONTROL MODE		1157	w5
SET\CTRL CL02	NAMEPLATE RPM	MOTOR DATA	NAMEPLATE RPM	M	83	2b
SET\CTRL CL03	FLY-CATCH ENABLE	FLYCATCHING	VHz ENABLE	VF	570	fu
SET\CTRL CL03	FLY-CATCH ENABLE	FLYCATCHING	VECTOR ENABLE	SV	1553	ix
SET\CTRL CL04	SLIP COMP ENABLE	SLIP COMP	ENABLE	VF	82	2a
SET\CTRL CL05	STAB ENABLE	STABILISATION	ENABLE	VF	128	3k
SET\CTRL CL06	VOLTS CTRL MODE	VOLTAGE CONTROL	VOLTAGE MODE	VF	595	gj
SET\CTRL CL07	BOOST MODE	FLUXING	601 FLUXING	F M VF	1058	te
SET\CTRL CL08	AUTO BOOST	FLUXING	AUTO BOOST	M VF	108	30
SET\CTRL CL09	ENERGY SAVING	FLUXING	ENERGY SAVING	F VF	1655	nV
SET\CTRL CL10	MOTOR CURRENT	MOTOR DATA	MOTOR CURRENT	M SV	64	1s
SET\CTRL CL11	MOTOR POLES	MOTOR DATA	MOTOR POLES	M SV	84	2c
SET\CTRL CL12	MOTOR VOLTAGE	MOTOR DATA	MOTOR VOLTAGE	M	1160	w8
SET\CTRL CL14	MAG CURRENT	MOTOR DATA	MAG CURRENT	M	65	1t
SET\CTRL CL15	POWER	MOTOR DATA	POWER	M SV	1158	w6
SET\CTRL CL16	MOTOR CONNECTION	MOTOR DATA	MOTOR CONNECTION	M SV	124	3g
SET\CTRL CL17	STATOR RES	MOTOR DATA	STATOR RES	F M SV	119	3b
SET\CTRL CL18	LEAKAGE INDUC	MOTOR DATA	LEAKAGE INDUC	F M SV	120	3c

MMI Name	ASCII MMI Name	Function Block Name	DSELITE Name	Notes	TAG	ID
SET\CTRL CL19	MUTUAL INDUC	MOTOR DATA	MUTUAL INDUC	F M SV	121	3d
SET\CTRL CL1A	ROTOR TIME CONST	MOTOR DATA	ROTOR TIME CONST	F M SV	1163	wb
SET\CTRL CL20	AUTOTUNE MODE	AUTOTUNE	MODE	SV	689	j5
SET\CTRL CL21	AUTOTUNE ENABLE	AUTOTUNE	ENABLE	SV	603	gr
SET\CTRL CL81	CURRENT LIMIT	CURRENT LIMIT	CURRENT LIMIT	F	365	a5
SET\CTRL CL82	POS TORQUE LIMIT	TORQUE LIMIT	POS TORQUE LIM	F	1208	xk
SET\CTRL CL83	NEG TORQUE LIMIT	TORQUE LIMIT	NEG TORQUE LIM	F	1209	xl
SET\CTRL CL84	STALL TRIP TYPE	STALL TRIP	STALL LIMIT TYPE	F	1632	mY
SET\CTRL CL91	SPEED PROP GAIN	SPEED LOOP	SPEED PROP GAIN	F M SV	1187	wz
SET\CTRL CL92	SPEED INT TIME	SPEED LOOP	SPEED INT TIME	F M SV	1188	x0
SET\CTRL CL93	SPEED POS LIMIT	SPEED LOOP	SPEED POS LIM	F SV	1200	xc
SET\CTRL CL94	SPEED NEG LIMIT	SPEED LOOP	SPEED NEG LIM	F SV	1201	xd
IN Menu (Input)						
SET\IN IP01	DIGIN 1 INVERT	DIGITAL INPUTS	INVERT 1		30	0u
SET\IN IP02	DIGIN 2 INVERT	DIGITAL INPUTS	INVERT 2		33	0x
SET\IN IP03	DIGIN 3 INVERT	DIGITAL INPUTS	INVERT 3		36	10
SET\IN IP04	DIGIN 4 INVERT	DIGITAL INPUTS	INVERT 4		39	13
SET\IN IP05	DIGIN 5 INVERT	DIGITAL INPUTS)	INVERT 5		42	16
SET\IN IP06	DIGIN 6 INVERT	DIGITAL INPUTS	INVERT 6		725	k5
SET\IN IP07	DIGIN 7 INVERT	DIGITAL INPUTS	INVERT 7		727	k7
SET\IN IP11	ANIN 1 SCALE	ANALOG INPUT 1	SCALE		14	0e
SET\IN IP12	ANIN 1 OFFSET	ANALOG INPUT 1	OFFSET		15	0f
SET\IN IP13	ANIN 1 TYPE	ANALOG INPUT 1	TYPE		13	0d
SET\IN IP21	ANIN 2 SCALE	ANALOG INPUT 2	SCALE		23	0n
SET\IN IP22	ANIN 2 OFFSET	ANALOG INPUT 2	OFFSET		24	0o
SET\IN IP23	ANIN 2 TYPE	ANALOG INPUT 2	TYPE		22	0m
SET\IN IPD1	DIGIN 1 VALUE	DIGITAL INPUTS	INPUT 1	F	31	0v
SET\IN IPD2	DIGIN 2 VALUE	DIGITAL INPUTS	INPUT 2	F	34	0y
SET\IN IPD3	DIGIN 3 VALUE	DIGITAL INPUTS	INPUT 3	F	37	11
SET\IN IPD4	DIGIN 4 VALUE	DIGITAL INPUTS	INPUT 4	F	40	14
SET\IN IPD5	DIGIN 5 VALUE	DIGITAL INPUTS	INPUT 5	F	43	17
SET\IN IPD6	DIGIN 6 VALUE	DIGITAL INPUTS	INPUT 6	F	726	k6
SET\IN IPD7	DIGIN 7 VALUE	DIGITAL INPUTS	INPUT 7	F	728	k8
SET\IN IPA1	ANIN 1 VALUE	ANALOG INPUT 1	VALUE	F	16	0g
SET\IN IPA2	ANIN 2 VALUE	ANALOG INPUT 2	VALUE	F	25	0p
OUT Menu (Output)						
SET\OUT OPD3	RELAY INVERT	DIGITAL OUTPUTS	INVERT 3		736	kg
SET\OUT A011	ANOUT 1 SCALE	ANALOG OUTPUT	SCALE		46	1a
SET\OUT A012	ANOUT 1 OFFSET	ANALOG OUTPUT	OFFSET		47	1b
SET\OUT A013	ANOUT 1 ABS	ANALOG OUTPUT	ABSOLUTE		48	1c
SET\OUT AO14	ANOUT 1 VALUE	ANALOG OUTPUT	VALUE	F	45	19
SET\OUT AO21	ANOUT 2 SCALE	ANALOG OUTPUT	SCALE		732	kc
SET\OUT AO22	ANOUT 2 OFFSET	ANALOG OUTPUT	OFFSET		733	kd
SET\OUT AO23	ANOUT 2 ABS	ANALOG OUTPUT	ABSOLUTE		734	ke
SET\OUT AO24	ANOUT 2 VALUE	ANALOG OUTPUT	VALUE	F	731	kb
SET\CONF DIN1	DIGIN 1 DEST	APP CONFIG	DIGIN 1 DEST	F	310	8m
SET\CONF DIN2	DIGIN 2 DEST	APP CONFIG	DIGIN 2 DEST	F	311	8n
SET\CONF DIN3	DIGIN 3 DEST	APP CONFIG	DIGIN 3 DEST	F	312	8o
SET\CONF DIN4	DIGIN 4 DEST	APP CONFIG	DIGIN 4 DEST	F	313	8p
SET\CONF DIN5	DIGIN 5 DEST	APP CONFIG	DIGIN 5 DEST	F	314	8q
SET\CONF DIN6	DIGIN 6 DEST	APP CONFIG	DIGIN 6 DEST	F	315	8r
SET\CONF DIN7	DIGIN 7 DEST	APP CONFIG	DIGIN 7 DEST	F	316	8s
SET\CONF DOP1	DIGOUT 1 SOURCE	APP CONFIG	DIGIO 1 SOURCE	F	1016	s8
SET\CONF DOP2	DIGOUT 2 SOURCE	APP CONFIG	DIGIO 2 SOURCE	F	1094	ue
SET\CONF DOP3	RELAY SOURCE	APP CONFIG	RELAY SOURCE	F	1093	ud
SET\CONF AOP1	ANOUT 1 SOURCE	APP CONFIG	ANOUT 1 SOURCE	F	1092	uc
SET\CONF AOP2	ANOUT 2 SOURCE	APP CONFIG	ANOUT 2 SOURCE	F	1109	uf

2-22 Parameter Specification

MMI Name	ASCII MMI Name	Function Block Name	DSELITE Name	Notes	TAG	ID
TRIP Menu (Trips)						
SET\TRIP LOOP	4 TO 20ma LOOP	TRIPS STATUS	DISABLE TRIPS		231	6f
SET\TRIP T 3	ANIN 2 OVERLOAD	TRIPS STATUS	DISABLE TRIPS		231	6f
SET\TRIP STLL	MOTOR STALLED	TRIPS STATUS	DISABLE TRIPS		231	6f
SET\TRIP OT	MOTOR OVERTEMP	TRIPS STATUS	DISABLE TRIPS+		742	km
SET\TRIP -OT-	MOTOR OVERTEMP	IO TRIPS	INVERT THERMIST	Res	760	14
SET\TRIP IT	INVERSE TIME	TRIPS STATUS	DISABLE TRIPS		231	6f
SET\TRIP DB R	BRAKE RESISTOR	TRIPS STATUS	DISABLE TRIPS		231	6f
SET\TRIP DB S	BRAKE SWITCH	TRIPS STATUS	DISABLE TRIPS		231	6f
SET\TRIP SPD	SPEED FEEDBACK	TRIPS STATUS	DISABLE TRIPS		231	6f
SET\TRIP OSPD	OVERSPEED	TRIPS STATUS	DISABLE TRIPS+		742	km
SET\TRIP DISP	DISPLAY / KEYPAD	TRIPS STATUS	DISABLE TRIPS		231	6f
SET\TRIP DCRP	VDC RIPPLE	TRIPS STATUS	DISABLE TRIPS+		742	km
SERL Menu (Serial Communications)						
SET\SERL SE01	REMOTE COMMS SEL	COMMS CONTROL	REMOTE COMMS SEL		300	8c
SET\SERL SE02	COMMS TIMEOUT	COMMS CONTROL	COMMS TIMEOUT		309	8l
SET\SERL SE03	COMMS ADDRESS	COMMS PORTS	COMMS ADDRESS		103	2v
SET\SERL SE04	COMMS BAUD RATE	COMMS PORTS	BAUD RATE		1062	ti
SET\SERL SE05	COMMS PARITY	COMMS PORTS	PARITY		1061	th
SET\SERL SE06	REPLY DELAY ms	COMMS PORTS	REPLY DELAY ms		1260	z0
SET\SERL SE07	PROTOCOL, (OP)	COMMS PORTS	OP PORT PROTOCOL		1060	tg
SET\SERL SE08	PROTOCOL, (P3)	COMMS PORTS	P3 PORT PROTOCOL		1059	tf
SETP Menu (Setup)						
SET\SETP ST01	JOG ACCEL TIME	REFERENCE JOG	ACCEL TIME		261	79
SET\SETP ST02	JOG DECEL TIME	REFERENCE JOG	DECEL TIME		262	7a
SET\SETP ST03	RAMP TYPE	REFERENCE RAMP	RAMP TYPE		244	6s
SET\SETP ST04	S RAMP JERK	REFERENCE RAMP	SRAMP JERK 1		694	ja
SET\SETP ST05	S RAMP CONT	REFERENCE RAMP	SRAMP CONTINUOUS		691	j7
SET\SETP ST06	MIN SPEED MODE	MINIMUM SPEED	MODE		338	9e
SET\SETP ST11	SKIP FREQ 1	SKIP FREQUENCIES	FREQUENCY 1		342	9i
SET\SETP ST12	SKIP FREQ 1 BAND	SKIP FREQUENCIES	BAND 1		341	9h
SET\SETP ST13	SKIP FREQ 2	SKIP FREQUENCIES	FREQUENCY 2		343	9j
SET\SETP ST14	SKIP FREQ 2 BAND	SKIP FREQUENCIES	BAND 2		680	iw
SET\SETP ST21	AR ATTEMPTS	AUTO RESTART	ATTEMPTS		612	h0
SET\SETP ST22	AR DELAY	AUTO RESTART	ATTEMPT DELAY 1		613	h1
SET\SETP ST23	AR TRIGGERS	AUTO RESTART	TRIGGERS 1		609	gx
SET\SETP ST24	AR TRIGGERS+	AUTO RESTART	TRIGGERS 1+		744	ko
SET\SETP ST31	DB ENABLE	DYNAMIC BRAKING	ENABLE		80	28
SET\SETP ST32	DB RESISTANCE	DYNAMIC BRAKING	BRAKE RESISTANCE		77	25
SET\SETP ST33	DB POWER	DYNAMIC BRAKING	BRAKE POWER		78	26
SET\SETP ST34	DB OVER-RATING	DYNAMIC BRAKING	1SEC OVER RATING		79	27
SET\SETP ST41	TORQUE FEEDBACK	FEEDBACKS	TORQUE FEEDBACK		70	1y
SET\SETP ST42	TORQUE LEVEL	AT LOAD	LEVEL		621	h9
SET\SETP ST43	USE ABS TORQUE	AT LOAD	ABSOLUTE		1259	yz
SET\SETP ST51	LOCAL MIN SPEED	REFERENCE	LOCAL MIN SPEED		251	6z
SET\SETP ST52	DISABLED KEYS	DISPLAY/KEYPAD	DISABLED KEYS		127	3j
SET\SETP ST98	APPLICATION LOCK	APP CONFIG	APP LOCK		1064	tk
SET\SETP ST99	DETAILED MENUS	MMI ACCESS	DETAILED MENUS		878	oe
ENC Menu (Encoder)						
SET\ENC EN01	ENC MODE	ENCODER	MODE		565	fp
SET\ENC EN02	ENC RESET	ENCODER	RESET		747	kr
SET\ENC EN03	ENC INVERT	ENCODER	INVERT		567	fr
SET\ENC EN04	ENC LINES	ENCODER	LINES		566	fq
SET\ENC EN05	ENC SPEED SCALE	ENCODER	SPEED SCALE		110	32
SET\ENC EN06	ENC SPEED	ENCODER	SPEED		111	33

Pref Cross Reference Table

Pref is a unique identifier used internally by the MMI, for use by SSD Drives' engineers. When communicating over Comms, always use the Tag Number.

Pref	Tag	Pref	Tag	Pref	Tag	Pref	Tag	Pref	Tag	Pref	Tag	Pref	Tag
7.01	1091	15.10.1	175	15.9.2	171	16.5.5	203	18.12	561	24.24	274	33.14	1661
7.02	1092	15.11.1	1296	15.7.5	163	16.6.4	209	18.13	562	24.25	1686	33.15	1662
7.03	1109	15.12.1	1301	15.8.4	169	16.7.3	212	18.14	563	24.26	620	33.16	1663
7.04	1093	15.13.1	1306	15.9.3	172	16.8.2	216	18.15	564	25.01	98	33.17	1664
7.05	1094	15.14.1	1311	16.1.1	180	16.9.1	220	17.3.9	397	25.02	100	33.18	1679
7.06	1016	15.15.1	1316	16.10.1	225	16.6.5	208	17.4.8	516	25.03	591	34.01	60
7.07	1064	15.1.2	131	16.11.1	1346	16.7.4	214	17.4.9	517	25.04	1629	34.02	62
7.08	310	15.2.1	135	16.12.1	1351	16.8.3	217	19.01	300	25.05	99	34.03	61
7.09	311	15.10.2	176	16.13.1	1356	16.9.2	221	19.02	307	25.06	1633	34.04	63
7.10	312	15.11.2	1297	16.14.1	1361	16.7.5	213	19.03	308	26.01	1230	35.01	1159
7.11	313	15.12.2	1302	16.15.1	1366	16.8.4	219	19.04	309	26.02	1231	35.02	1160
7.12	314	15.13.2	1307	15.8.5	168	16.9.3	222	19.05	271	26.03	1229	35.03	64
7.13	315	15.14.2	1312	15.9.4	174	17.1.1	355	19.06	295	26.04	1056	35.04	65
7.14	316	15.15.2	1317	16.1.2	181	17.1.10	356	19.07	270	26.05	1232	35.05	83
8.01	94	15.1.3	132	16.2.1	185	17.1.11	372	19.08	272	27.01	50	35.06	84
8.02	95	15.2.2	136	16.10.2	226	16.8.5	218	19.09	273	27.02	75	35.07	1157
8.03	96	15.3.1	140	16.11.2	1347	16.9.4	224	20.01	246	27.03	66	35.08	1158
9.01	1181	15.10.3	177	16.12.2	1352	17.1.2	347	20.02	261	27.04	67	35.09	124
9.02	19	15.11.3	1298	16.13.2	1357	17.2.1	388	20.03	262	27.05	1020	35.10	242
9.03	1182	15.12.3	1303	16.14.2	1362	17.2.10	389	21.01	8	27.06	569	35.11	1164
9.04	1184	15.13.3	1308	16.15.2	1367	17.2.11	373	21.02	878	27.07	568	35.12	1161
9.05	20	15.14.3	1313	15.9.5	173	16.9.5	223	21.03	877	27.08	749	35.13	1162
9.06	1186	15.15.3	1318	16.1.3	182	17.1.3	348	21.04	91	27.09	1017	35.14	119
10.01	14	15.1.4	134	16.2.2	186	17.2.2	380	21.05	92	27.10	1018	35.15	120
10.02	15	15.2.3	137	16.3.1	190	17.3.1	398	21.06	93	27.11	70	35.16	121
10.03	13	15.3.2	141	16.10.3	227	17.3.10	399	22.01	127	27.12	73	35.17	1163
10.04	1099	15.4.1	145	16.11.3	1348	17.3.11	374	22.02	230	28.01	365	36.01	80
10.05	16	15.10.4	179	16.12.3	1353	17.1.4	349	22.03	1110	28.02	686	36.02	76
11.01	23	15.11.4	1300	16.13.3	1358	17.2.3	381	23.01	245	29.01	367	36.03	81
11.02	24	15.12.4	1305	16.14.3	1363	17.3.2	390	23.02	248	29.02	368	36.04	77
11.03	22	15.13.4	1310	16.15.3	1368	17.4.1	518	23.03	57	29.03	369	36.05	78
11.04	26	15.14.4	1315	16.1.4	184	17.4.10	519	23.04	252	29.04	370	36.06	79
11.05	1100	15.15.4	1320	16.2.3	187	17.4.11	520	23.05	253	30.01	710	37.01	683
11.06	25	15.1.5	133	16.3.2	191	17.1.5	350	23.06	243	30.02	577	38.01	1208
12.1.1	45	15.2.4	139	16.4.1	195	17.2.4	382	23.07	249	30.03	578	38.02	1209
12.1.2	46	15.3.3	142	16.10.4	229	17.3.3	391	23.08	269	30.04	579	38.03	1210
12.2.1	731	15.4.2	146	16.11.4	1350	17.4.2	510	23.09	255	30.05	580	38.04	1211
12.1.3	47	15.5.1	150	16.12.4	1355	17.1.6	351	23.10	254	30.06	581	38.05	1212
12.2.2	732	15.10.5	178	16.13.4	1360	17.2.5	383	23.11	56	30.07	582	38.06	1213
12.1.4	48	15.11.5	1299	16.14.4	1365	17.3.4	392	23.12	256	30.08	739	38.07	1554
12.2.3	733	15.12.5	1304	16.15.4	1370	17.4.3	511	23.13	247	30.09	583	39.01	82
12.2.4	734	15.13.5	1309	16.1.5	183	17.1.7	352	23.14	770	31.01	128	39.02	85
13.01	30	15.14.5	1314	16.2.4	189	17.2.6	384	23.15	250	31.02	602	39.03	86
13.02	33	15.15.5	1319	16.3.3	192	17.3.5	393	23.16	251	31.03	684	39.04	87
13.03	36	15.2.5	138	16.4.2	196	17.4.4	512	24.01	291	31.04	685	39.05	88
13.04	39	15.3.4	144	16.5.1	200	17.1.8	353	24.02	292	31.05	769	40.01	612
13.05	42	15.4.3	147	16.10.5	228	17.2.7	385	24.03	293	31.06	687	40.02	613
13.06	725	15.5.2	151	16.11.5	1349	17.3.6	394	24.04	280	31.07	688	40.03	609
13.07	727	15.6.1	155	16.12.5	1354	17.4.5	513	24.05	1235	32.01	1148	40.04	744
13.08	729	15.3.5	143	16.13.5	1359	17.1.9	354	24.06	276	32.02	1149	40.05	608
13.09	31	15.4.4	149	16.14.5	1364	17.2.8	386	24.07	277	32.03	1150	40.06	616
13.10	34	15.5.3	152	16.15.5	1369	17.3.7	395	24.08	278	32.04	1151	40.07	614
13.11	37	15.6.2	156	16.2.5	188	17.4.6	514	24.09	294	32.05	1152	40.08	615
13.12	40	15.7.1	160	16.3.4	194	18.01	102	24.10	282	32.06	1153	40.09	611
13.13	43	15.4.5	148	16.4.3	197	18.02	103	24.11	290	33.01	104	40.10	610
13.14	726	15.5.4	154	16.5.2	201	18.03	1062	24.12	283	33.02	107	41.01	298
13.15	728	15.6.3	157	16.6.1	205	18.04	1061	24.13	289	33.03	108	41.02	265
13.16	730	15.7.2	161	16.3.5	193	18.05	1260	24.14	285	33.04	109	41.03	299
14.01	52	15.8.1	165	16.4.4	199	18.06	1060	24.15	302	33.05	1021	41.04	281
14.02	51	15.5.5	153	16.5.3	202	18.07	1059	24.16	303	33.06	1022	41.05	297
14.03	55	15.6.4	159	16.6.2	206	18.08	117	24.17	286	33.07	1058	41.06	257
14.04	54	15.7.3	162	16.7.1	210	18.09	129	24.18	288	33.08	1655	41.07	1097
14.05	737	15.8.2	166	16.4.5	198	18.10	90	24.19	306	33.09	1656	42.01	244
14.06	736	15.9.1	170	16.5.4	204	17.2.9	387	24.20	287	33.10	1657	42.02	258
14.07	735	15.6.5	158	16.6.3	207	17.3.8	396	24.21	305	33.11	1658	42.03	259
14.08	738	15.7.4	164	16.7.2	211	17.4.7	515	24.22	301	33.12	1659	42.04	694
15.1.1	130	15.8.3	167	16.8.1	215	18.11	560	24.23	296	33.13	1660	42.05	691

2-24 Parameter Specification

Pref	Tag	Pref	Tag	Pref	Tag	Pref	Tag	Pref	Tag
42.06	260	48.17	672	59.05	1191	63.04	1026	70.2.3	1043
42.07	698	49.01	359	59.06	1192	63.05	1027	70.3.2	1046
43.01	279	49.02	357	59.07	1193	63.06	1028	70.11.4	782
43.02	263	49.03	1233	59.08	1200	63.07	1029	70.12.4	785
43.03	266	50.01	231	59.09	1201	63.08	1030	70.13.4	788
43.04	284	50.02	742	59.10	1202	63.09	604	70.14.4	791
43.05	304	50.03	4	59.11	1194	63.10	1031	70.15.4	794
43.06	275	50.04	740	59.12	1195	63.11	1239	70.16.4	797
43.07	264	50.05	5	59.13	1203	63.12	1240	70.5.1	628
43.08	126	50.06	741	59.14	1206	63.13	1241	70.2.4	1044
44.01	327	50.07	6	59.15	1207	63.14	1242	70.3.3	1047
44.02	328	50.08	640	59.16	1204	63.15	1243	70.4.2	1050
44.03	326	50.09	237	60.01	1119	63.16	1246	70.1.5	1460
44.04	330	50.10	238	60.02	1120	63.17	1627	70.10.5	1469
44.05	329	51.01	500	60.03	1121	63.18	1063	70.11.5	1470
44.06	331	51.02	501	60.04	1122	64.01	1603	70.12.5	1471
44.07	332	51.03	502	60.05	1123	64.02	1604	70.13.5	1472
44.08	325	51.04	503	60.06	1124	64.03	1605	70.14.5	1473
45.01	336	51.05	504	60.07	1125	64.04	1606	70.15.5	1474
45.02	337	51.06	505	60.08	1126	64.05	1607	70.16.5	1475
45.03	338	51.07	506	60.09	1137	64.06	1608	70.6.1	629
45.04	335	51.08	507	60.10	1138	65.01	621	70.3.4	1048
46.01	1247	51.09	508	60.11	1139	65.02	622	70.4.3	1051
46.02	617	51.10	509	60.12	1140	65.03	1259	70.5.2	1054
46.03	1248	52.01	1095	60.13	1141	66.01	565	70.2.5	1461
46.04	618	52.02	1096	60.14	1142	66.02	747	70.7.1	630
46.05	1249	53.01	595	60.15	1143	66.03	567	70.6.2	700
46.06	1250	53.02	112	60.16	1551	66.04	566	70.4.4	1052
46.07	1251	53.03	594	60.17	1552	66.05	110	70.5.3	1055
46.08	1252	53.04	597	60.18	1616	66.06	111	70.3.5	1462
46.09	1253	53.05	1023	60.19	1617	66.07	748	70.8.1	631
46.10	1254	53.06	1024	60.20	1618	67.01	1223	70.6.3	701
46.11	1098	54.01	760	60.21	1619	67.02	1222	70.7.2	703
46.12	1255	54.02	234	60.22	1620	68.01	1033	70.5.4	1053
46.13	1256	54.03	1155	60.23	1621	68.02	1035	70.4.5	1463
46.14	619	55.01	340	60.24	1622	68.03	1036	70.9.1	632
46.15	1257	55.02	341	60.25	1623	69.01	584	70.6.4	702
46.16	1258	55.03	342	61.01	1214	69.02	585	70.7.3	704
46.17	318	55.04	680	61.02	1215	69.03	586	70.8.2	706
46.18	319	55.05	343	61.03	1216	69.04	587	70.5.5	1464
47.01	641	55.06	346	61.04	1217	69.05	588	70.7.4	705
47.02	642	56.01	241	61.05	1218	69.06	589	70.8.3	707
47.03	643	56.02	240	61.06	1219	69.07	590	70.9.2	774
47.04	644	56.03	1632	61.07	1220	70.1.1	74	70.6.5	1465
47.05	645	57.01	570	61.08	1221	70.10.1	633	71.1.1	334
47.06	646	57.02	1553	61.09	97	70.11.1	634	70.8.4	708
47.07	647	57.03	571	61.10	1651	70.12.1	635	70.9.3	775
47.08	648	57.04	572	61.11	1652	70.13.1	636	70.7.5	1466
47.09	649	57.05	573	61.12	1653	70.14.1	637	71.1.2	125
47.10	650	57.06	32	61.13	1654	70.15.1	638	71.2.1	379
47.11	651	57.07	574	62.01	1174	70.16.1	639	70.9.4	776
47.12	652	57.08	575	62.02	1175	70.2.1	371	70.8.5	1467
47.13	653	57.09	709	62.03	1176	70.10.2	777	71.1.3	321
47.14	654	57.10	35	62.04	1177	70.1.2	1039	71.2.2	676
47.15	655	57.11	38	62.05	1178	70.11.2	780	70.9.5	1468
47.16	656	57.12	41	62.06	1179	70.12.2	783	71.1.4	44
47.17	598	57.13	29	62.07	1557	70.13.2	786	71.2.3	375
48.01	599	57.14	576	62.08	1558	70.14.2	789	71.1.5	322
48.02	657	57.15	28	62.09	1555	70.15.2	792	71.2.4	673
48.03	658	58.01	1111	62.10	1556	70.16.2	795	71.1.6	101
48.04	659	58.02	1112	62.11	1166	70.3.1	626	71.2.5	376
48.05	660	58.03	1628	62.12	1167	70.10.3	778	71.1.7	53
48.06	661	58.04	1114	62.13	1168	70.1.3	1040	71.2.6	674
48.07	662	58.05	1115	62.14	1169	70.2.2	1042	71.1.8	323
48.08	663	58.06	1116	62.15	1170	70.11.3	781	71.2.7	675
48.09	664	58.07	1117	62.16	1171	70.12.3	784	71.2.8	377
48.10	665	58.08	1118	62.17	1173	70.13.3	787		
48.11	666	58.09	1630	62.18	1172	70.14.3	790		
48.12	667	58.10	1631	62.19	1615	70.15.3	793		
48.13	668	59.01	1187	62.20	1057	70.16.3	796		
48.14	669	59.02	1188	63.01	603	70.4.1	627		
48.15	670	59.03	1189	63.02	689	70.10.4	779		
48.16	671	59.04	1190	63.03	1025	70.1.4	1041		

Product-Related Default Values

All examples given in this book are based on a UK, 400V, 50Hz, 11kW drive.

* Frequency Dependent Defaults

These parameter values (marked with “*” in function block descriptions and Application diagrams) are dependent upon the drive’s “default frequency”.

Changing the “default frequency” parameter from 50Hz to 60Hz, and vice versa, causes the values of the parameters in the table below to be changed.

To change the “default frequency”, power-down the drive. Power-up the drive holding down the STOP and DOWN keys on the keypad. Release the keys to display the ° 0.01 parameter.

Caution

You are now in a menu containing some sensitive and important parameters.

Press the UP key to display the ° 0.02 parameter. Press the M key. The values for this parameter are: 0 = 50Hz default, 1 = 60Hz default. Select the setting using the UP/DOWN keys and then press the E key. Power-down the drive and power-up again holding down the UP and DOWN keys. This resets **ALL** parameters to their correct default values, including Motor Parameters.

Frequency Dependent Defaults					
Display	Parameter	Function Block	Tag	50Hz Operation	60Hz Operation
P 7	BASE FREQUENCY	MOTOR DATA	1159	50Hz	60Hz
5CL02	NAMEPLATE RPM	MOTOR DATA	83	#	1750 RPM
5CL12	MOTOR VOLTAGE	MOTOR DATA	1160	*	*
P 2	MAX SPEED	REFERENCE	57	50Hz	60Hz
5CL16	MOTOR CONNECTION	MOTOR DATA	124	STAR	STAR

The correct value is selected for the size of drive - refer to the Power Dependent Parameters table below
 * The correct value is selected for the drive, however, when 60Hz is selected the 400V unit = 460V

2-26 Parameter Specification

** Power Dependent Defaults

These parameters (marked with “***” in function block descriptions and Application diagrams) are set to a value depending on the drive's overall “power-build” indicated by the Product Code. We recommend that you do not change the Product Code.

230V Build Power Dependent Defaults								
Parameter	Function Block	Tag	Frame 1				Frame 2	
			0.25kW	0.37kW	0.55kW	0.75kW	1.1kW	1.5kW
POWER	MOTOR DATA	1158	0.25 kw	0.37 kw	0.55 kw	0.75 kw	1.10 kw	1.50 kw
MOTOR CURRENT	MOTOR DATA	64	1.50 A	2.20 A	3.00 A	4.00 A	5.50 A	7.00 A
MAG CURRENT	MOTOR DATA	65	0.80 A	0.80 A	1.04 A	1.36 A	2.50 A	3.41 A
NAMEPLATE RPM	MOTOR DATA	83	1380.0 RPM	1380.0 RPM	1400.0 RPM	1400.0 RPM	1420.0 RPM	1420.0 RPM
MOTOR VOLTAGE	MOTOR DATA	1160	230.0 V	230.0 V	230.0 V	230.0 V	230.0 V	230.0 V
POWER FACTOR	MOTOR DATA	242	0.70	0.70	0.70	0.70	0.71	0.78
STATOR RES	MOTOR DATA	119	5.2060 ohms	5.2060 ohms	3.8177 ohms	2.9367 ohms	1.5907 ohms	1.1687 ohms
LEAKAGE INDUC	MOTOR DATA	120	110.47 mH	110.47 mH	81.01 mH	62.32 mH	33.76 mH	24.80 mH
MUTUAL INDUC	MOTOR DATA	121	441.90 mH	441.90 mH	324.06 mH	249.28 mH	135.02 mH	99.20 mH
ROTOR TIME CONST	MOTOR DATA	1163	91.17 ms	91.17 ms	109.40 ms	109.40 ms	136.75 ms	136.75 ms
BRAKE POWER	DYNAMIC BRAKING	78	0.1 kW	0.1 kW	0.1 kW	0.1 kW	0.1 kW	0.1 kW
FREQUENCY	INJ BRAKING	577	9.0 Hz	9.0 Hz	9.0 Hz	9.0 Hz	9.0 Hz	9.0 Hz
DEFLUX TIME	INJ BRAKING	710	0.1 s	0.1 s	0.1 s	0.1 s	0.1 s	0.1 s
BASE VOLTS	INJ BRAKING	739	100.00 %	100.00 %	100.00 %	100.00 %	100.00 %	100.00 %
DC LEVEL	INJ BRAKING	581	10.0 %	10.0 %	10.0 %	10.0 %	3.0 %	3.0 %
DC PULSE	INJ BRAKING	579	2.0 s	2.0 s	2.0 s	2.0 s	2.0 s	2.0 s
FINAL DC PULSE	INJ BRAKING	580	1.0 s	1.0 s	1.0 s	1.0 s	1.0 s	1.0 s
FIXED BOOST	FLUXING	107	5.00%	5.00%	5.00%	5.00%	5.00%	5.00%
ACCEL TIME	REFERENCE RAMP	258	10.0 s	10.0 s	10.0 s	10.0 s	10.0 s	10.0 s
DECEL TIME	REFERENCE RAMP	259	10.0 s	10.0 s	10.0 s	10.0 s	10.0 s	10.0 s
DEFLUX DELAY	PATTERN GEN	100	0.5 s	0.5 s	0.5 s	0.5 s	1.0 s	1.0 s
SEARCH VOLTS	FLYCATCHING	573	9.00 %	9.00 %	9.00 %	9.00 %	9.00 %	9.00 %
SEARCH BOOST	FLYCATCHING	32	40.00 %	40.00 %	40.00 %	40.00 %	40.00 %	40.00 %
SEARCH TIME	FLYCATCHING	574	5.0 s	5.0 s	5.0 s	5.0 s	5.0 s	5.0 s
REFLUX TIME	FLYCATCHING	709	3.0 s	3.0 s	3.0 s	3.0 s	3.0 s	3.0 s
OVERLOAD	MOTOR DATA	1164	2.0	2.0	2.0	2.0	2.0	2.0
SPEED PROP GAIN	SPEED LOOP	1187	20	20	20	20	20	20
SPEED INT TIME	SPEED LOOP	1188	500. ms	500. ms	500. ms	500. ms	500. ms	500. ms
MOTOR CONNECTION	MOTOR DATA	124	1 : STAR	1 : STAR	1 : STAR	1 : STAR	1 : STAR	1 : STAR
BRAKE RESISTANCE	DYNAMIC BRAKING	77	500	500	500	500	500	500
BOOST MODE	FLUXING	1058	1	1	1	1	1	1

230V Build Power Dependent Defaults					
Parameter	Function Block	Tag	Frame 3		
			2.2kW	3.0kW	4.0kW
POWER	MOTOR DATA	1158	2.2 kw	3.0 kw	4.0 kw
MOTOR CURRENT	MOTOR DATA	64	9.60 A	12.30 A	16.40 A
MAG CURRENT	MOTOR DATA	65	3.36 A	3.39 A	4.38 A
NAMEPLATE RPM	MOTOR DATA	83	1420.0 RPM	1445.0 RPM	1450.0 RPM
MOTOR VOLTAGE	MOTOR DATA	1160	230.0 V	230.0 V	230.0 V
POWER FACTOR	MOTOR DATA	242	0.80	0.80	0.83
STATOR RES	MOTOR DATA	119	2.0620 ohms	1.3625 ohms	1.0545 ohms
LEAKAGE INDUC	MOTOR DATA	120	43.76 mH	43.37 mH	33.57 mH
MUTUAL INDUC	MOTOR DATA	121	175.03 mH	173.48 mH	134.27 mH
ROTOR TIME CONST	MOTOR DATA	1163	136.75 ms	276.04 ms	303.65 ms
BRAKE POWER	DYNAMIC BRAKING	78	0.5 kW	0.5 kW	0.5 kW
FREQUENCY	INJ BRAKING	577	9.0 Hz	9.0 Hz	9.0 Hz
DEFLUX TIME	INJ BRAKING	710	0.5 s	0.5 s	0.5 s
BASE VOLTS	INJ BRAKING	739	100.00 %	100.00 %	100.00 %
DC LEVEL	INJ BRAKING	581	3.0 %	3.0 %	3.0 %
DC PULSE	INJ BRAKING	579	2.0 s	2.0 s	2.0 s
FINAL DC PULSE	INJ BRAKING	580	1.0 s	1.0 s	1.0 s
FIXED BOOST	FLUXING	107	3.00%	3.00%	3.00%
ACCEL TIME	REFERENCE RAMP	258	10.0 s	10.0 s	10.0 s
DECEL TIME	REFERENCE RAMP	259	10.0 s	10.0 s	10.0 s
DEFLUX DELAY	PATTERN GEN	100	2.0 s	2.0 s	2.0 s
SEARCH VOLTS	FLYCATCHING	573	9.00 %	9.00 %	9.00 %
SEARCH BOOST	FLYCATCHING	32	40.00 %	40.00 %	40.00 %
SEARCH TIME	FLYCATCHING	574	5.0 s	5.0 s	5.0 s
REFLUX TIME	FLYCATCHING	709	3.0 s	3.0 s	3.0 s
OVERLOAD	MOTOR DATA	1164	2.0	2.0	2.0
SPEED PROP GAIN	SPEED LOOP	1187	20.00	20.00	20.00
SPEED INT TIME	SPEED LOOP	1188	500. ms	500. ms	500. ms
MOTOR CONNECTION	MOTOR DATA	124	1 : STAR	1 : STAR	1 : STAR
BRAKE RESISTANCE	DYNAMIC BRAKING	77	56	36	28
BOOST MODE	FLUXING	1058	1	1	1

2-28 Parameter Specification

400V Build Power Dependent Defaults			Frame 2					
Parameter	Function Block	Tag	0.37kW	0.55kW	0.75kW	1.1kW	1.5kW	2.2kW
POWER	MOTOR DATA	1158	0.37 kw	0.55 kw	0.75 kw	1.10 kw	1.50 kw	2.20 kw
MOTOR CURRENT	MOTOR DATA	64	1.50 A	2.00 A	2.50 A	3.50 A	4.50 A	5.50 A
MAG CURRENT	MOTOR DATA	65	0.44 A	0.60 A	0.78 A	1.00 A	1.44 A	1.96 A
NAMEPLATE RPM	MOTOR DATA	83	1380.0 RPM	1400.0 RPM	1400.0 RPM	1420.0 RPM	1420.0 RPM	1420.0 RPM
MOTOR VOLTAGE	MOTOR DATA	1160	400.0 V	400.0 V	400.0 V	400.0 V	400.0 V	400.0 V
POWER FACTOR	MOTOR DATA	242	0.70	0.70	0.70	0.71	0.71	0.78
STATOR RES	MOTOR DATA	119	15.7459 ohms	11.5470 ohms	8.8823 ohms	1.5907 ohms	4.8113 ohms	3.5348 ohms
LEAKAGE INDUC	MOTOR DATA	120	334.14 mH	245.04 mH	188.49 mH	33.76 mH	102.10 mH	75.01 mH
MUTUAL INDUC	MOTOR DATA	121	1336.55 mH	980.14 mH	753.95 mH	135.02 mH	408.39 mH	300.04 mH
ROTOR TIME CONST	MOTOR DATA	1163	91.17 ms	109.40 ms	109.40 ms	136.75 ms	136.75 ms	136.75 ms
BRAKE POWER	DYNAMIC BRAKING	78	0.1 kW	0.1 kW	0.1 kW	0.1 kW	0.1 kW	0.1 kW
FREQUENCY	INJ BRAKING	577	9.0 Hz	9.0 Hz	9.0 Hz	9.0 Hz	9.0 Hz	9.0 Hz
DEFLUX TIME	INJ BRAKING	710	0.1 s	0.1 s	0.1 s	0.1 s	0.1 s	0.1 s
BASE VOLTS	INJ BRAKING	739	100.00 %	100.00 %	100.00 %	100.00 %	100.00 %	100.00 %
DC LEVEL	INJ BRAKING	581	3.0 %	3.0 %	3.0 %	3.0 %	3.0 %	3.0 %
DC PULSE	INJ BRAKING	579	2.0 s	2.0 s	2.0 s	2.0 s	2.0 s	2.0 s
FINAL DC PULSE	INJ BRAKING	580	1.0 s	1.0 s	1.0 s	1.0 s	1.0 s	1.0 s
FIXED BOOST	FLUXING	107	5.00%	5.00%	5.00%	5.00%	5.00%	5.00%
ACCEL TIME	REFERENCE RAMP	258	10.0 s	10.0 s	10.0 s	10.0 s	10.0 s	10.0 s
DECEL TIME	REFERENCE RAMP	259	10.0 s	10.0 s	10.0 s	10.0 s	10.0 s	10.0 s
DEFLUX DELAY	PATTERN GEN	100	1.0 s	1.0 s	1.0 s	1.0 s	1.0 s	1.0 s
SEARCH VOLTS	FLYCATCHING	573	9.00 %	9.00 %	9.00 %	9.00 %	9.00 %	9.00 %
SEARCH BOOST	FLYCATCHING	32	40.00 %	40.00 %	40.00 %	40.00 %	40.00 %	40.00 %
SEARCH TIME	FLYCATCHING	574	5.0 s	5.0 s	5.0 s	5.0 s	5.0 s	5.0 s
REFLUX TIME	FLYCATCHING	709	3.0 s	3.0 s	3.0 s	3.0 s	3.0 s	3.0 s
OVERLOAD	MOTOR DATA	1164	2.0	2.0	2.0	2.0	2.0	2.0
SPEED PROP GAIN	SPEED LOOP	1187	20	20	20	20	20	20
SPEED INT TIME	SPEED LOOP	1188	500. ms	500. ms	500. ms	500. ms	500. ms	500. ms
MOTOR CONNECTION	MOTOR DATA	124	1 : STAR	1 : STAR	1 : STAR	1 : STAR	1 : STAR	1 : STAR
BRAKE RESISTANCE	DYNAMIC BRAKING	77	500	500	500	200	200	200
BOOST MODE	FLUXING	1058	1	1	1	1	1	1

400V Build Power Dependent Defaults			Frame 3			
Parameter	Function Block	Tag				
POWER	MOTOR DATA	1158	3.00 kw	4.00 kw	5.50 kw	7.50 kw
MOTOR CURRENT	MOTOR DATA	64	6.80 A	9.00 A	12.00 A	16.00 A
MAG CURRENT	MOTOR DATA	65	2.36 A	3.36 A	3.39 A	4.38 A
NAMEPLATE RPM	MOTOR DATA	83	1420.0 RPM	1420.0 RPM	1445.0 RPM	1450.0 RPM
MOTOR VOLTAGE	MOTOR DATA	1160	400.0 V	400.0 V	400.0 V	400.0 V
POWER FACTOR	MOTOR DATA	242	0.8	0.8	0.8	0.8
STATOR RES	MOTOR DATA	119	2.0620 ohms	2.0620 ohms	1.3625 ohms	1.0545 ohms
LEAKAGE INDUC	MOTOR DATA	120	43.76 mH	43.76 mH	43.37 mH	33.57 mH
MUTUAL INDUC	MOTOR DATA	121	175.03 mH	175.03 mH	173.48 mH	134.27 mH
ROTOR TIME CONST	MOTOR DATA	1163	136.75 ms	136.75 ms	276.04 ms	303.65 ms
BRAKE POWER	DYNAMIC BRAKING	78	0.2 kW	0.2 kW	0.5 kW	0.5 kW
FREQUENCY	INJ BRAKING	577	9.0 Hz	9.0 Hz	9.0 Hz	9.0 Hz
DEFLUX TIME	INJ BRAKING	710	0.5 s	0.5 s	0.5 s	0.5 s
BASE VOLTS	INJ BRAKING	739	100.00 %	100.00 %	100.00 %	100.00 %
DC LEVEL	INJ BRAKING	581	3.0 %	3.0 %	3.0 %	3.0 %
DC PULSE	INJ BRAKING	579	2.0 s	2.0 s	2.0 s	2.0 s
FINAL DC PULSE	INJ BRAKING	580	1.0 s	1.0 s	1.0 s	1.0 s
FIXED BOOST	FLUXING	107	5.00%	5.00%	5.00%	5.00%
ACCEL TIME	REFERENCE RAMP	258	10.0 s	10.0 s	10.0 s	10.0 s
DECEL TIME	REFERENCE RAMP	259	10.0 s	10.0 s	10.0 s	10.0 s
DEFLUX DELAY	PATTERN GEN	100	2.0 s	2.0 s	2.0 s	2.0 s
SEARCH VOLTS	FLYCATCHING	573	9.00 %	9.00 %	9.00 %	9.00 %
SEARCH BOOST	FLYCATCHING	32	40.00 %	40.00 %	40.00 %	40.00 %
SEARCH TIME	FLYCATCHING	574	5.0 s	5.0 s	5.0 s	5.0 s
REFLUX TIME	FLYCATCHING	709	3.0 s	3.0 s	3.0 s	3.0 s
OVERLOAD	MOTOR DATA	1164	2.0	2.0	2.0	2.0
SPEED PROP GAIN	SPEED LOOP	1187	20	20	20	20
SPEED INT TIME	SPEED LOOP	1188	500. ms	500. ms	500. ms	500. ms
MOTOR CONNECTION	MOTOR DATA	124	1 : STAR	1 : STAR	1 : STAR	1 : STAR
BRAKE RESISTANCE	DYNAMIC BRAKING	77	100	100	56	56
BOOST MODE	FLUXING	1058	1	1	1	1

2-30 Parameter Specification

230V Build Power Dependent Defaults			Frame C		Frame D		
Parameter	Function Block	Tag	5.5kW	7.5kW	11kW	15kW	18.5kW
POWER	MOTOR DATA	1158	5.50 kw	7.50 kw	11.00 kw	15.00 kw	18.50 kw
MOTOR CURRENT	MOTOR DATA	64	19.65 A	25.39 A	34.78 A	46.96 A	57.16 A
MAG CURRENT	MOTOR DATA	65	5.90 A	7.62 A	10.43 A	14.09 A	17.15 A
NAMEPLATE RPM	MOTOR DATA	83	1445.0 RPM	1450.0 RPM	1460.0 RPM	1470.0 RPM	1470.0 RPM
MOTOR VOLTAGE	MOTOR DATA	1160	230.0 V	230.0 V	230.0 V	230.0 V	230.0 V
POWER FACTOR	MOTOR DATA	242	0.80	0.83	0.86	0.87	0.87
STATOR RES	MOTOR DATA	119	0.4505 ohms	0.3487 ohms	0.2545 ohms	0.1885 ohms	0.1543 ohms
LEAKAGE INDUC	MOTOR DATA	120	14.34 mH	11.10 mH	8.10 mH	6.00 mH	4.91 mH
MUTUAL INDUC	MOTOR DATA	121	57.36 mH	44.39 mH	32.41 mH	24.00 mH	19.64 mH
ROTOR TIME CONST	MOTOR DATA	1163	276.04 ms	303.65 ms	379.56 ms	506.08 ms	506.08 ms
BRAKE POWER	DYNAMIC BRAKING	78	0.1kw	0.1 kw	0.1 kw	0.1 kw	0.1 kw
FREQUENCY	INJ BRAKING	577	9.0 Hz	9.0 Hz	9.0 Hz	9.0 Hz	9.0 Hz
DEFLUX TIME	INJ BRAKING	710	0.5 s	0.5 s	1.0 s	1.0 s	1.0 s
BASE VOLTS	INJ BRAKING	739	100.00%	100.00%	100.00%	100.00%	100.00%
DC LEVEL	INJ BRAKING	581	2.50%	2.50%	1.80%	1.80%	1.80%
DC PULSE	INJ BRAKING	579	2.0 s	2.0 s	2.0 s	2.0 s	2.0 s
FINAL DC PULSE	INJ BRAKING	580	1.0 s	1.0 s	3.0 s	3.0 s	3.0 s
FIXED BOOST	FLUXING	107	0.00%	0.00%	0.00%	0.00%	0.00%
ACCEL TIME	REFERENCE RAMP	258	10.0 s	10.0 s	10.0 s	10.0 s	10.0 s
DECEL TIME	REFERENCE RAMP	259	10.0 s	10.0 s	10.0 s	10.0 s	10.0 s
DEFLUX DELAY	PATTERN GEN	100	2.0 s	2.0 s	3.0 s	3.0 s	3.0 s
SEARCH VOLTS	FLYCATCHING	573	9.00%	9.00%	9.00%	9.00%	9.00%
SEARCH BOOST	FLYCATCHING	32	40.00%	40.00%	15.00%	15.00%	15.00%
SEARCH TIME	FLYCATCHING	574	10.0 s	10.0 s	15.0 s	15.0 s	15.0 s
REFLUX TIME	FLYCATCHING	709	3.0 s	3.0 s	4.0 s	4.0 s	4.0 s
OVERLOAD	MOTOR DATA	1164	2.0	2.0	2.0	2.0	2.0
SPEED PROP GAIN	SPEED LOOP	1187	20.00	20.00	20.00	20.00	20.00
SPEED INT TIME	SPEED LOOP	1188	100 ms	100 ms	100 ms	100 ms	100 ms
MOTOR CONNECTION	MOTOR DATA	124	1 : STAR	1 : STAR	1 : STAR	1 : STAR	1 : STAR
BRAKE RESISTANCE	DYNAMIC BRAKING	77	100	100	100	100	100
BOOST MODE	FLUXING	1058	0	0	0	0	0

230V Build Power Dependent Defaults			Frame E		Frame F	
Parameter	Function Block	Tag	22kW	30kW	37kW	45kW
POWER	MOTOR DATA	1158	22.00 kw	30.00 kw	37.00 kw	45.00 kw
MOTOR CURRENT	MOTOR DATA	64	65.82 A	93.53 A	114.32 A	136.83 A
MAG CURRENT	MOTOR DATA	65	19.75 A	28.06 A	34.27 A	41.05 A
NAMEPLATE RPM	MOTOR DATA	83	1470.0 RPM	1470.0 RPM	1470.0 RPM	1470.0 RPM
MOTOR VOLTAGE	MOTOR DATA	1160	230.0 V	230.0 V	230.0 V	230.0 V
POWER FACTOR	MOTOR DATA	242	0.87	0.87	0.87	0.87
STATOR RES	MOTOR DATA	119	0.1340 ohms	0.0943 ohms	0.0771 ohms	0.0644 ohms
LEAKAGE INDUC	MOTOR DATA	120	4.26 mH	3.00 mH	4.45 mH	2.05 mH
MUTUAL INDUC	MOTOR DATA	121	17.06 mH	12.00 mH	9.82 mH	8.20 mH
ROTOR TIME CONST	MOTOR DATA	1163	506.08 ms	506.08 ms	506.08 ms	506.08 ms
BRAKE POWER	DYNAMIC BRAKING	78	0.1 kw	0.1 kw	0.1 kw	0.1 kw
FREQUENCY	INJ BRAKING	577	6.0 Hz	6.0 Hz	6.0 Hz	6.0 Hz
DEFLUX TIME	INJ BRAKING	710	1.0 s	2.0 s	2.0 s	2.0 s
BASE VOLTS	INJ BRAKING	739	75.00 %	75.00 %	75.00 %	75.00 %
DC LEVEL	INJ BRAKING	581	1.3 %	1.3 %	1.3 %	1.3 %
DC PULSE	INJ BRAKING	579	2.0 s	2.0 s	2.0 s	2.0 s
FINAL DC PULSE	INJ BRAKING	580	3.0 s	3.0 s	3.0 s	3.0 s
FIXED BOOST	FLUXING	107	0.00%	0.00%	0.00%	0.00%
ACCEL TIME	REFERENCE RAMP	258	20.0 s	30.0 s	30.0 s	30.0 s
DECEL TIME	REFERENCE RAMP	259	20.0 s	30.0 s	30.0 s	30.0 s
DEFLUX DELAY	PATTERN GEN	100	4.0 s	4.0 s	4.0 s	4.0 s
SEARCH VOLTS	FLYCATCHING	573	8.00%	8.00%	8.00%	8.00%
SEARCH BOOST	FLYCATCHING	32	15.00%	15.00%	15.00%	15.00%
SEARCH TIME	FLYCATCHING	574	15.0 s	15.0 s	15.0 s	15.0 s
REFLUX TIME	FLYCATCHING	709	5.0 s	6.0 s	6.0 s	6.0 s
OVERLOAD	MOTOR DATA	1164	2.0	2.2	2.2	2.2
SPEED PROP GAIN	SPEED LOOP	1187	20.00	20.00	20.00	20.00
SPEED INT TIME	SPEED LOOP	1188	100 ms	100 ms	100 ms	100 ms
MOTOR CONNECTION	MOTOR DATA	124	1 : STAR	1 : STAR	1 : STAR	1 : STAR
BRAKE RESISTANCE	DYNAMIC BRAKING	77	100	100	100	100
BOOST MODE	FLUXING	1058	0	0	0	0

2-32 Parameter Specification

400V Build Power Dependent Defaults									
Parameter	Function Block	Tag	Frame C			Frame D			
			7.5kW	11kW	15kW	15kW	18.5kW	22kW	30kW
POWER	MOTOR DATA	1158	7.50 kw	11.00 kw	15.00 kw	15.00 kw	18.50 kw	22.00 kw	30.00 kw
MOTOR CURRENT	MOTOR DATA	64	14.60A	20.00A	27.00A	27.00A	33.00A	38.00A	54.00A
MAG CURRENT	MOTOR DATA	65	4.38 A	6.00 A	8.10 A	8.10 A	9.90 A	11.40A	16.20A
NAMEPLATE RPM	MOTOR DATA	83	1450.0 RPM	1460.0 RPM	1470.0 RPM	1470.0 RPM	1460.0 RPM	1460.0 RPM	1470.0 RPM
MOTOR VOLTAGE	MOTOR DATA	1160	400.0 V	400.0 V	400.0 V	400.0 V	400.0 V	400.0 V	400.0 V
POWER FACTOR	MOTOR DATA	242	0.83	0.86	0.87	0.87	0.88	0.88	0.86
STATOR RES	MOTOR DATA	119	1.0545 ohms	0.7698 ohms	0.5702 ohms	0.5702 ohms	0.4665 ohms	0.4052 ohms	0.2851 ohms
LEAKAGE INDUC	MOTOR DATA	120	33.57 mH	24.50 mH	18.15 mH	18.15 mH	14.85 mH	12.90 mH	9.08 mH
MUTUAL INDUC	MOTOR DATA	121	134.27 mH	98.01 mH	72.60 mH	72.60 mH	59.40 mH	51.59 mH	36.30 mH
ROTOR TIME CONST	MOTOR DATA	1163	303.65 ms	379.56 ms	506.08 ms	506.08 ms	379.56 ms	379.56 ms	506.08 ms
BRAKE POWER	DYNAMIC BRAKING	78	0.1kw	0.1kw	0.1kw	0.1kw	0.1kw	0.1kw	0.1kw
FREQUENCY	INJ BRAKING	577	9.0 Hz	9.0 Hz	9.0 Hz	9.0 Hz	9.0 Hz	9.0 Hz	9.0 Hz
DEFLUX TIME	INJ BRAKING	710	0.5 s	0.5 s	0.5 s	1.0 s	1.0 s	1.0 s	1.0 s
BASE VOLTS	INJ BRAKING	739	100.00%	100.00%	100.00%	100.00%	100.00%	100.00%	100.00%
DC LEVEL	INJ BRAKING	581	2.50%	2.50%	2.50%	1.80%	1.80%	1.80%	1.80%
DC PULSE	INJ BRAKING	579	2.0 s	2.0 s	2.0 s	2.0 s	2.0 s	2.0 s	2.0 s
FINAL DC PULSE	INJ BRAKING	580	1.0 s	1.0 s	1.0 s	3.0 s	3.0 s	3.0 s	3.0 s
FIXED BOOST	FLUXING	107	0.00%	0.00%	0.00%	0.00%	0.00%	0.00%	0.00%
ACCEL TIME	REFERENCE RAMP	258	10.0 s	10.0 s	10.0 s	10.0 s	10.0 s	10.0 s	10.0 s
DECEL TIME	REFERENCE RAMP	259	10.0 s	10.0 s	10.0 s	10.0 s	10.0 s	10.0 s	10.0 s
DEFLUX DELAY	PATTERN GEN	100	2.0 s	2.0 s	2.0 s	3.0 s	3.0 s	3.0 s	3.0 s
SEARCH VOLTS	FLYCATCHING	573	9.00%	9.00%	9.00%	9.00%	9.00%	9.00%	9.00%
SEARCH BOOST	FLYCATCHING	32	40.00%	40.00%	40.00%	15.00%	15.00%	15.00%	15.00%
SEARCH TIME	FLYCATCHING	574	10.0 s	10.0 s	10.0 s	15.0 s	15.0 s	15.0 s	15.0 s
REFLUX TIME	FLYCATCHING	709	3.0 s	3.0 s	3.0 s	4.0 s	4.0 s	4.0 s	4.0 s
OVERLOAD	MOTOR DATA	1164	2.0	2.0	2.0	2.0	2.0	2.0	2.0
SPEED PROP GAIN	SPEED LOOP	1187	20.00	20.00	20.00	20.00	20.00	20.00	20.00
SPEED INT TIME	SPEED LOOP	1188	100 ms	100 ms	100 ms	100 ms	100 ms	100 ms	100 ms
MOTOR CONNECTION	MOTOR DATA	124	1 : STAR	1 : STAR	1 : STAR	1 : STAR	1 : STAR	1 : STAR	1 : STAR
BRAKE RESISTANCE	DYNAMIC BRAKING	77	100	100	100	100	100	100	100
BOOST MODE	FLUXING	1058	0	0	0	0	0	0	0

400V Build Power Dependent Defaults								
			Frame E			Frame F		
Parameter	Function Block	Tag	30kW	37kW	45kW	55kW	75kW	90kW
POWER	MOTOR DATA	1158	30.00 kw	37.00 kw	45.00 kw	55.00 kw	75.00 kw	90.00 kw
MOTOR CURRENT	MOTOR DATA	64	54.00A	66.00 A	79.00 A	97.00 A	132.00 A	151.00 A
MAG CURRENT	MOTOR DATA	65	16.20A	19.80 A	23.70 A	29.10 A	39.60 A	45.30 A
NAMEPLATE RPM	MOTOR DATA	83	1470.0 RPM	1470.0 RPM	1470.0 RPM	1475.0 RPM	1475.0 RPM	1480.0 RPM
MOTOR VOLTAGE	MOTOR DATA	1160	400.0 V	400.0 V	400.0 V	400.0 V	400.0 V	400.0 V
POWER FACTOR	MOTOR DATA	242	0.86	0.85	0.87	0.86	0.87	0.90
STATOR RES	MOTOR DATA	119	0.2851 ohms	0.2333 ohms	0.1949 ohms	0.1587 ohms	0.1166 ohms	0.1020 ohms
LEAKAGE INDUC	MOTOR DATA	120	9.08 mH	7.43 mH	6.20 mH	5.05 mH	3.71 mH	3.25 mH
MUTUAL INDUC	MOTOR DATA	121	36.30 mH	29.70 mH	24.81 mH	20.21 mH	14.85 mH	12.98 mH
ROTOR TIME CONST	MOTOR DATA	1163	506.08 ms	506.08 ms	506.08 ms	607.30 ms	607.30 ms	759.12 ms
BRAKE POWER	DYNAMIC BRAKING	78	0.1kw	0.1 kw	0.1 kw	0.1 kw	0.1 kw	0.1 kw
FREQUENCY	INJ BRAKING	577	6.0 Hz	6.0 Hz	6.0 Hz	6.0 Hz	6.0 Hz	6.0 Hz
DEFLUX TIME	INJ BRAKING	710	1.0 s	1.0 s	1.0 s	2.0 s	2.0 s	2.0 s
BASE VOLTS	INJ BRAKING	739	75.00%	75.00%	75.00%	75.00%	75.00%	75.00%
DC LEVEL	INJ BRAKING	581	1.30%	1.30%	1.30%	1.30%	1.30%	1.30%
DC PULSE	INJ BRAKING	579	2.0 s	2.0 s	2.0 s	2.0 s	2.0 s	2.0 s
FINAL DC PULSE	INJ BRAKING	580	3.0 s	3.0 s	3.0 s	3.0 s	3.0 s	3.0 s
FIXED BOOST	FLUXING	107	0.00%	0.00%	0.00%	0.00%	0.00%	0.00%
ACCEL TIME	REFERENCE RAMP	258	20.0 s	20.0 s	20.0 s	30.0 s	30.0 s	30.0 s
DECEL TIME	REFERENCE RAMP	259	20.0 s	20.0 s	20.0 s	30.0 s	30.0 s	30.0 s
DEFLUX DELAY	PATTERN GEN	100	4.0 s	4.0 s	4.0 s	4.0 s	4.0 s	4.0 s
SEARCH VOLTS	FLYCATCHING	573	8.00%	8.00%	8.00%	8.00%	8.00%	8.00%
SEARCH BOOST	FLYCATCHING	32	15.00%	15.00%	15.00%	15.00%	15.00%	15.00%
SEARCH TIME	FLYCATCHING	574	15.0 s	15.0 s	15.0 s	15.0 s	15.0 s	15.0 s
REFLUX TIME	FLYCATCHING	709	5.0 s	5.0 s	5.0 s	6.0 s	6.0 s	6.0 s
OVERLOAD	MOTOR DATA	1164	2.0	2.0	2.0	2.2	2.2	2.2
SPEED PROP GAIN	SPEED LOOP	1187	20.00	20.00	20.00	20.00	20.00	20.00
SPEED INT TIME	SPEED LOOP	1188	100 ms	100 ms	100 ms	100 ms	100 ms	100 ms
MOTOR CONNECTION	MOTOR DATA	124	1 : STAR	1 : STAR	1 : STAR	1 : STAR	1 : STAR	1 : STAR
BRAKE RESISTANCE	DYNAMIC BRAKING	77	100	100	100	100	100	100
BOOST MODE	FLUXING	1058	0	0	0	0	0	0

2-34 Parameter Specification

460V Build Power Dependent Defaults (US)							
Parameter	Function Block	Tag	Frame C			Frame D	
			10HP	15HP	20HP	30HP	40HP
POWER	MOTOR DATA	1158	7.50 kw	11.00 kw	15.00 kw	22.00 kw	30.00 kw
MOTOR CURRENT	MOTOR DATA	64	14.00 A	20.00 A	27.00 A	38.00 A	52.00 A
MAG CURRENT	MOTOR DATA	65	4.38 A	6.00 A	8.10 A	11.40 A	16.20 A
NAMEPLATE RPM	MOTOR DATA	83	1750.0 RPM	1750.0 RPM	1750.0 RPM	1750.0 RPM	1750.0 RPM
MOTOR VOLTAGE	MOTOR DATA	1160	460.0 V	460.0 V	460.0 V	460.0 V	460.0 V
POWER FACTOR	MOTOR DATA	242	0.83	0.86	0.87	0.88	0.86
STATOR RES	MOTOR DATA	119	1.0545 ohms	0.7698 ohms	0.5702 ohms	0.4052 ohms	0.2851 ohms
LEAKAGE INDUC	MOTOR DATA	120	33.57 mH	24.50 mH	18.15 mH	12.90 mH	9.08 mH
MUTUAL INDUC	MOTOR DATA	121	134.27 mH	98.01 mH	72.60 mH	51.59 mH	36.30 mH
ROTOR TIME CONST	MOTOR DATA	1163	303.65 ms	379.56 ms	506.08 ms	379.56 ms	506.08 ms
BRAKE POWER	DYNAMIC BRAKING	78	0.1 kw	0.1 kw	0.1 kw	0.1 kw	0.1 kw
FREQUENCY	INJ BRAKING	577	9.0 Hz	9.0 Hz	9.0 Hz	9.0 Hz	9.0 Hz
DEFLUX TIME	INJ BRAKING	710	0.5 s	0.5 s	0.5 s	1.0 s	1.0 s
BASE VOLTS	INJ BRAKING	739	100.00%	100.00%	100.00%	100.00%	100.00%
DC LEVEL	INJ BRAKING	581	2.50%	2.50%	2.50%	1.80%	1.80%
DC PULSE	INJ BRAKING	579	2.0 s	2.0 s	2.0 s	2.0 s	2.0 s
FINAL DC PULSE	INJ BRAKING	580	1.0 s	1.0 s	1.0 s	3.0 s	3.0 s
FIXED BOOST	FLUXING	107	0.00%	0.00%	0.00%	0.00%	0.00%
ACCEL TIME	REFERENCE RAMP	258	10.0 s	10.0 s	10.0 s	10.0 s	10.0 s
DECEL TIME	REFERENCE RAMP	259	10.0 s	10.0 s	10.0 s	10.0 s	10.0 s
DEFLUX DELAY	PATTERN GEN	100	2.0 s	2.0 s	2.0 s	3.0 s	3.0 s
SEARCH VOLTS	FLYCATCHING	573	9.00%	9.00%	9.00%	9.00%	9.00%
SEARCH BOOST	FLYCATCHING	32	40.00%	40.00%	40.00%	15.00%	15.00%
SEARCH TIME	FLYCATCHING	574	10.0 s	10.0 s	10.0 s	15.0 s	15.0 s
REFLUX TIME	FLYCATCHING	709	3.0 s	3.0 s	3.0 s	4.0 s	4.0 s
OVERLOAD	MOTOR DATA	1164	2.0	2.0	2.0	2.0	2.0
SPEED PROP GAIN	SPEED LOOP	1187	20.00	20.00	20.00	20.00	20.00
SPEED INT TIME	SPEED LOOP	1188	100 ms	100 ms	100 ms	100 ms	100 ms
MOTOR CONNECTION	MOTOR DATA	124	1 : STAR	1 : STAR	1 : STAR	1 : STAR	1 : STAR
BRAKE RESISTANCE	DYNAMIC BRAKING	77	100	100	100	100	100
BOOST MODE	FLUXING	1058	0	0	0	0	0

460V Build Power Dependent Defaults (US)			Frame F			
Parameter	Function Block	Tag	75HP	100HP	125HP	150HP
POWER	MOTOR DATA	1158	55.00 kw	75.00 kw	90.00 kw	90.00 kw
MOTOR CURRENT	MOTOR DATA	64	97.00 A	130.00 A	151.00 A	151.00 A
MAG CURRENT	MOTOR DATA	65	29.10 A	39.60 A	45.30 A	45.30 A
NAMEPLATE RPM	MOTOR DATA	83	1750.0 RPM	1750.0 RPM	1750.0 RPM	1750.0 RPM
MOTOR VOLTAGE	MOTOR DATA	1160	460.0 V	460.0 V	460.0 V	460.0 V
POWER FACTOR	MOTOR DATA	242	0.86	0.87	0.9	0.9
STATOR RES	MOTOR DATA	119	0.1587 ohms	0.1166 ohms	0.1020 ohms	0.1020 ohms
LEAKAGE INDUC	MOTOR DATA	120	5.05 mH	3.71 mH	3.25 mH	3.25 mH
MUTUAL INDUC	MOTOR DATA	121	20.21 mH	14.85 mH	12.98 mH	12.98 mH
ROTOR TIME CONST	MOTOR DATA	1163	607.30 ms	607.30 ms	759.12 ms	759.12 ms
BRAKE POWER	DYNAMIC BRAKING	78	0.1 kw	0.1 kw	0.1 kw	0.1 kw
FREQUENCY	INJ BRAKING	577	6.0 Hz	6.0 Hz	6.0 Hz	6.0 Hz
DEFLUX TIME	INJ BRAKING	710	2.0 s	2.0 s	2.0 s	2.0 s
BASE VOLTS	INJ BRAKING	739	75.00%	75.00%	75.00%	75.00%
DC LEVEL	INJ BRAKING	581	1.30%	1.30%	1.30%	1.30%
DC PULSE	INJ BRAKING	579	2.0 s	2.0 s	2.0 s	2.0 s
FINAL DC PULSE	INJ BRAKING	580	3.0 s	3.0 s	3.0 s	3.0 s
FIXED BOOST	FLUXING	107	0.00%	0.00%	0.00%	0.00%
ACCEL TIME	REFERENCE RAMP	258	30.0 s	30.0 s	30.0 s	30.0 s
DECEL TIME	REFERENCE RAMP	259	30.0 s	30.0 s	30.0 s	30.0 s
DEFLUX DELAY	PATTERN GEN	100	4.0 s	4.0 s	4.0 s	4.0 s
SEARCH VOLTS	FLYCATCHING	573	8.00%	8.00%	8.00%	8.00%
SEARCH BOOST	FLYCATCHING	32	15.00%	15.00%	15.00%	15.00%
SEARCH TIME	FLYCATCHING	574	15.0 s	15.0 s	15.0 s	15.0 s
REFLUX TIME	FLYCATCHING	709	6.0 s	6.0 s	6.0 s	6.0 s
OVERLOAD	MOTOR DATA	1164	2.2	2.2	2.2	2.2
SPEED PROP GAIN	SPEED LOOP	1187	20.00	20.00	20.00	20.00
SPEED INT TIME	SPEED LOOP	1188	100 ms	100 ms	100 ms	100 ms
MOTOR CONNECTION	MOTOR DATA	124	1 : STAR	1 : STAR	1 : STAR	1 : STAR
BRAKE RESISTANCE	DYNAMIC BRAKING	77	100	100	100	100
BOOST MODE	FLUXING	1058	0	0	0	0

2-36 Parameter Specification

Chapter 3

SERIAL COMMUNICATIONS

Communications Technology Options

These options provide a serial data port allowing drives to be linked to form a network. Using a PLC/SCADA or other intelligent device, this network can be continuously controlled to provide supervision and monitoring for each drive in the system

Frames 1, 2 & 3 Option

- RS232/RS485 Communication Module which fits to the front of the drive, replacing the keypad

Frames C, D, E & F Option

- RS485 programming port; a 3-way terminal located on the control board

Refer to the Communications Interface Technical Manual for further details.

DSELite

This is Parker SSD Drives' Windows-based block programming software. It has a graphical user-interface and drawing tools to allow you to create block programming diagrams quickly and easily. Go to www.ssdDrives.com for update information.

Connection to the P3 Port

The port is an un-isolated RS232, 19200 Baud, supporting the standard EI bisynch ASCII communications protocol. Contact Parker SSD Drives for further information.

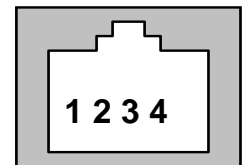
Note: *Frame C, D, E & F: There are two P3 ports - a port located on the control board and the port used by the keypad*

Using any P3 port on the drive, parameters can be monitored and updated by a suitable PC programming tool, i.e. DSELite.

P3 Port

A standard P3 lead is used to connect to the drive.

P3 Port Pin	Lead	Signal
1	Black	0V
2	Red	5V
3	Green	TX
4	Yellow	RX



6-Way Lead to DB9/DB25 Connector

Note: *There is 5V present on pin 2 of the P3 port - do not connect this to your PC.*

P3 Port Pin	Lead	Female DB9 Pin	Female DB25 Pin
1	Black	5	7
2	Red	not connected	not connected
3	Green	2	3
4	Yellow	3	2

3-2 Serial Communications

Chapter 4 SEQUENCING LOGIC STATES

Principle State Machine

The drive's reaction to commands is defined by a state machine. This determines which commands provide the demanded action, and in which sequence.

Main Sequencing States

The main sequencing state of the unit is indicated by an enumerated value given by the parameter SEQUENCER STATE under SEQUENCING LOGIC menu at level 3.

Enumerated Value	Main Seq State	Standard Name	Description
0	START DISABLED	Switch On Disabled	The Inverter will not accept a switch on command
1	START ENABLED	Ready To Switch On	The Inverter will accept a switch on command
2	SWITCHED ON	Switched On	The Inverter's stack is enabled
3	READY	Ready	Waiting for Contactor to be closed
4	ENABLED	Enabled	The Inverter is enabled and operational
5	F-STOP ACTIVE	Fast-Stop Active	Fast stop is active
6	TRIP ACTIVE	Trip Active	The Inverter is processing a trip event
7	TRIPPED	Tripped	The Inverter is tripped awaiting trip reset

Table 4-1 Enumerated Values for the SEQUENCING LOGIC Function Block

State Outputs of the SEQUENCING LOGIC Function Block

The following table shows the states of individual parameters for the SEQUENCING LOGIC function block required to produce the condition of the MAIN SEQ STATE parameter.

	START DISABLED	START ENABLED	SWITCHED ON	READY	ENABLED	F-STOP ACTIVE	TRIP ACTIVE	TRIPPED
Tripped	FALSE	FALSE	FALSE	FALSE	FALSE	FALSE	TRUE	TRUE
Running	FALSE	FALSE	FALSE	FALSE	TRUE	FALSE	FALSE	FALSE
Jogging	FALSE	FALSE	FALSE	FALSE	Note 1	FALSE	FALSE	FALSE
Stopping	FALSE	FALSE	FALSE	FALSE	Note 2	TRUE	FALSE	FALSE
Output Contactor	Depends on previous state	Depends on previous state	TRUE	TRUE	TRUE	TRUE	TRUE	FALSE
Switch On Enable	FALSE	TRUE	TRUE	TRUE	TRUE	TRUE	TRUE	FALSE
Switched On	FALSE	FALSE	TRUE	TRUE	TRUE	TRUE	TRUE	FALSE
Ready	FALSE	FALSE	FALSE	TRUE	TRUE	TRUE	TRUE	FALSE
Healthy	TRUE	TRUE	TRUE	TRUE	TRUE	TRUE	FALSE	FALSE Note 3

Table 4-2 Parameter States for the MAIN SEQ STATE Parameter

4-2 Sequencing Logic

- Note:**
1. *JOGGING is set TRUE once the jog cycle has started, and remains TRUE until the jog cycle has finished which is when either the stop delay has finished or another mode is demanded.*
 2. *STOPPING is set TRUE during the stopping cycles commanded by either RUNNING going low, JOGGING going low or if Fast Stop is active, i.e. SEQUENCING LOGIC is F-STOP ACTIVE.*
 3. *Once Run and Jog are both FALSE, HEALTHY O/P will be set TRUE.*

Transition of States

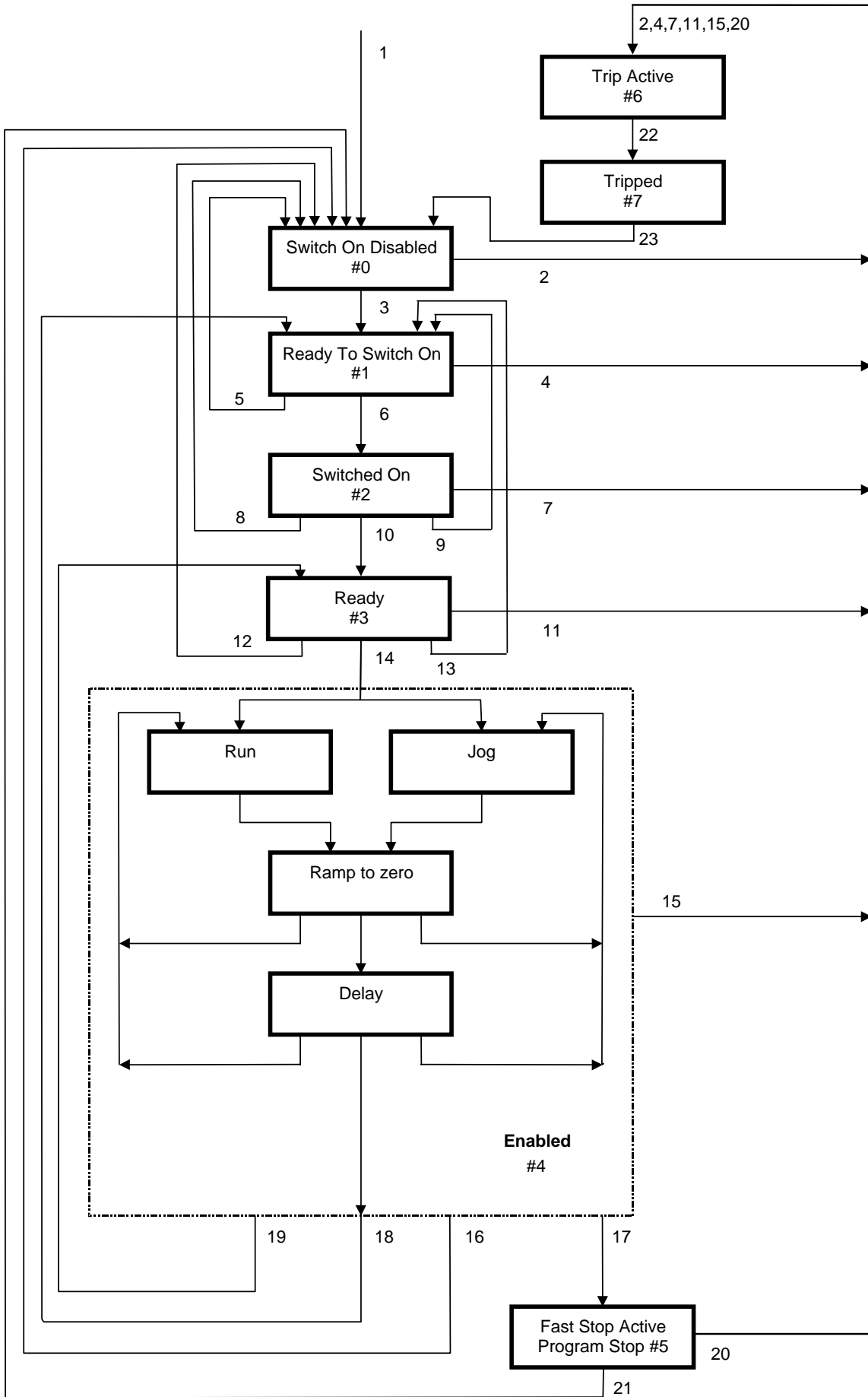
The transition matrix describes what causes the transition from one state to another, for example see no. 4 below: the transition from “Ready To Switch On” to “Trip Active” is triggered by “TRIP” going TRUE. Note – where a state has more than one exit transition, the transition with the lowest number has priority.

Refer to the following table and state diagram.

	Current State	Next State	Cause (FALSE to TRUE)
1	Power Up	Switch On Disabled	Power-Up, Restore Configuration or exit from Configuration mode.
2	Switch On Disabled	Trip Active	Trip
3	Switch On Disabled	Ready To Switch On	RUN = FALSE, JOG = FALSE, NOT FAST STOP = TRUE and NOT COAST STOP = TRUE
4	Ready To Switch On	Trip Active	Trip
5	Ready To Switch On	Switch On Disabled	NOT COAST STOP = FALSE or NOT FAST STOP = FALSE
6	Ready To Switch On	Switched On	RUN = TRUE or JOG = TRUE
7	Switched On	Trip Active	Trip (includes CONTACTOR CLOSED = FALSE after 10 seconds)
8	Switched On	Switch On Disabled	NOT COAST STOP = FALSE or NOT FAST STOP = FALSE
9	Switched On	Ready To Switch On	RUN = FALSE and JOG = FALSE
10	Switched On	Ready	CONTACTOR CLOSED = TRUE and defluxed
11	Ready	Trip Active	Trip (includes CONTACTOR CLOSED = FALSE)
12	Ready	Switch On Disabled	NOT COAST STOP = FALSE or NOT FAST STOP = FALSE
13	Ready	Ready To Switch On	RUN = FALSE and JOG = FALSE
14	Ready	Enabled	ENABLE = TRUE
15	Enabled	Trip Active	Trip (includes CONTACTOR CLOSED = FALSE)
16	Enabled	Switch On Disabled	NOT COAST STOP = FALSE
17	Enabled	Fast Stop Active	NOT FAST STOP = FALSE
18	Enabled	Ready To Switch On	RUN = FALSE, JOG = FALSE and stopping complete
19	Enabled	Ready	ENABLE = FALSE
20	Fast Stop Active	Trip Active	Trip (includes CONTACTOR CLOSED = FALSE)
21	Fast Stop Active	Switch On Disabled	Fast Stop timer expired or FAST STOP MODE = Coast Stop OR Inverter at zero setpoint
22	Trip Active	Tripped	Stack quenched
23	Tripped	Switch On Disabled	Trip = FALSE and TRIP RESET 0->1 transition

Table 4-3 Transition Matrix

State Diagram



4-4 Sequencing Logic

External Control of the Drive

Communications Command

When sequencing is in the Remote Comms mode, the sequencing of the Inverter is controlled by writing to the hidden parameter COMMS COMMAND (Tag 271). This parameter can only be written to using a communications interface. The output parameter (Tag 273) COMMS COMMAND of the COMMS CONTROL function block is provided as a diagnostic.

The COMMS COMMAND parameter is a 16-bit word based on standard fieldbus drive profiles. Some bits are not implemented in this release (see “Supported” column of the table below).

Bit	Name	Description	Supported	Required Value
0	Switch On	OFF1 Operational	√	
1	(Not) Disable Voltage	OFF2 Coast Stop	√	
2	(Not) Quick Stop	OFF3 Fast Stop	√	
3	Enable Operation		√	
4	Enable Ramp Output	=0 to set ramp output to zero		1
5	Enable Ramp	=0 to hold ramp		1
6	Enable Ramp Input	=0 to set ramp input to zero		1
7	Reset Fault	Reset on 0 to 1 transition	√	
8				0
9				0
10	Remote	=1 to control remotely		1
11				0
12				0
13				0
14				0
15				0

Switch On

Replaces the RUN FWD, RUN REV and NOT STOP parameters of the SEQUENCING LOGIC function block. When Set (=1) is the same as :

RUN FWD = TRUE
RUN REV = FALSE
NOT STOP = FALSE

When Cleared (= 0) is the same as :

RUN FWD = FALSE
RUN REV = FALSE
NOT STOP = FALSE

(Not) Disable Voltage

ANDed with the NOT COAST STOP parameter of the SEQUENCING LOGIC function block. When both Set (=1) is the same as:

NOT COAST STOP = TRUE

When either or both Cleared (= 0) is the same as :

NOT COAST STOP = FALSE

(Not) Quick Stop

ANDed with the NOT FAST STOP parameter on the SEQUENCING LOGIC function block.
When both Set (=1) is the same as:

NOT FAST STOP = TRUE

When either or both Cleared (= 0) is the same as :

NOT FAST STOP = FALSE

Enable Operation

ANDed with the DRIVE ENABLE parameter on the SEQUENCING LOGIC function block.
When both Set (=1) is the same as:

DRIVE ENABLE = TRUE

When either or both Cleared (= 0) is the same as :

DRIVE ENABLE = FALSE

Enable Ramp Output, Enable Ramp, Enable Ramp Input

Not implemented. The state of these bits must be set (=1) to allow this feature to be added in the future.

Reset Fault

Replaces the REM TRIP RESET parameter on the SEQUENCING LOGIC function block.
When Set (=1) is the same as:

REM TRIP RESET = TRUE

When Cleared (= 0) is the same as :

REM TRIP RESET = FALSE

Remote

Not implemented. It is intended to allow the PLC to toggle between local and remote. The state of this must be set (=1) to allow this feature to be added in the future.

Example Commands

047F hexadecimal to tag 271 to RUN

047E hexadecimal to tag 271 to STOP

Control the setpoint by writing to tag 269, (see Reference Block).

4-6 Sequencing Logic

Communications Status

The COMMS STATUS parameter (Tag 272) in the COMMS CONTROL function block monitors the sequencing of the Inverter. It is a 16-bit word based on standard fieldbus drive profiles. Some bits are not implemented in the initial release and are set to 0 (see “Supported” column of the table below).

Bit	Name	Description	Supported
0	Ready To Switch On		√
1	Switched On	Ready for operation (refer control bit 0)	√
2	Operation Enabled	(refer control bit 3)	√
3	Fault	Tripped	√
4	(Not) Voltage Disabled	OFF 2 Command pending	√
5	(Not) Quick Stop	OFF 3 Command pending	√
6	Switch On Disable	Switch On Inhibited	√
7	Warning		
8	SP / PV in Range		
9	Remote	= 1 if Drive will accept Command Word	√
10	Setpoint Reached	The input is True if the system ramp output matches the demanded setpoint.	√
11	Internal Limit Active	This input is True if the internal current limit is active.	√
12			
13			
14			
15			

Ready To Switch On

Same as the SWITCH ON ENABLE output parameter of the SEQUENCING LOGIC function block.

Switched On

Same as the SWITCHED ON output parameter of the SEQUENCING LOGIC function block.

Operation Enabled

Same as the RUNNING output parameter of the SEQUENCING LOGIC function block.

Fault

Same as the TRIPPED output parameter of the SEQUENCING LOGIC function block.

(Not) Voltage Disabled

If in Remote Comms mode, this is the same as Bit 1 of the COMMS COMMAND parameter. Otherwise it is the same as the NOT COAST STOP input parameter of the SEQUENCING LOGIC function block.

(Not) Quick Stop

If in Remote Comms mode, this is the same as Bit 2 of the COMMS COMMAND parameter. Otherwise it is the same as the NOT FAST STOP input parameter of the SEQUENCING LOGIC function block.

Switch On Disable

Set (=1) only when in START DISABLED state, refer to Table 4-1.

Remote

This bit is set (= 1) if the Inverter is in Remote mode **AND** the parameter REMOTE COMMS SEL of the COMMS CONTROL function block is Set (= 1).

Chapter 5 APPLICATIONS

The Default Application

The drive is supplied with 6 Applications, Application 0 to Application 5. Each Application recalls a pre-programmed set of parameters and internal links when it is loaded.

DEFAULT

- Application 0 will not control a motor. Loading Application 0 removes all internal links.
- Application 1 is the factory default application, providing for basic speed control
- Application 2 supplies speed control using a manual or auto setpoint
- Application 3 supplies speed control using preset speeds
- Application 4 is a set-up providing speed control with Raise/Lower Trim digital inputs
- Application 5 supplies speed control with PID control
- Application 6 simplifies control of the drive via communications.

How to Load an Application

The Applications are stored in the **PAR** menu.

From the **PAR** menu, go to parameter **P 1** by pressing the **M** key twice.

Use the **▲** **▼** keys to select the appropriate Application by number.

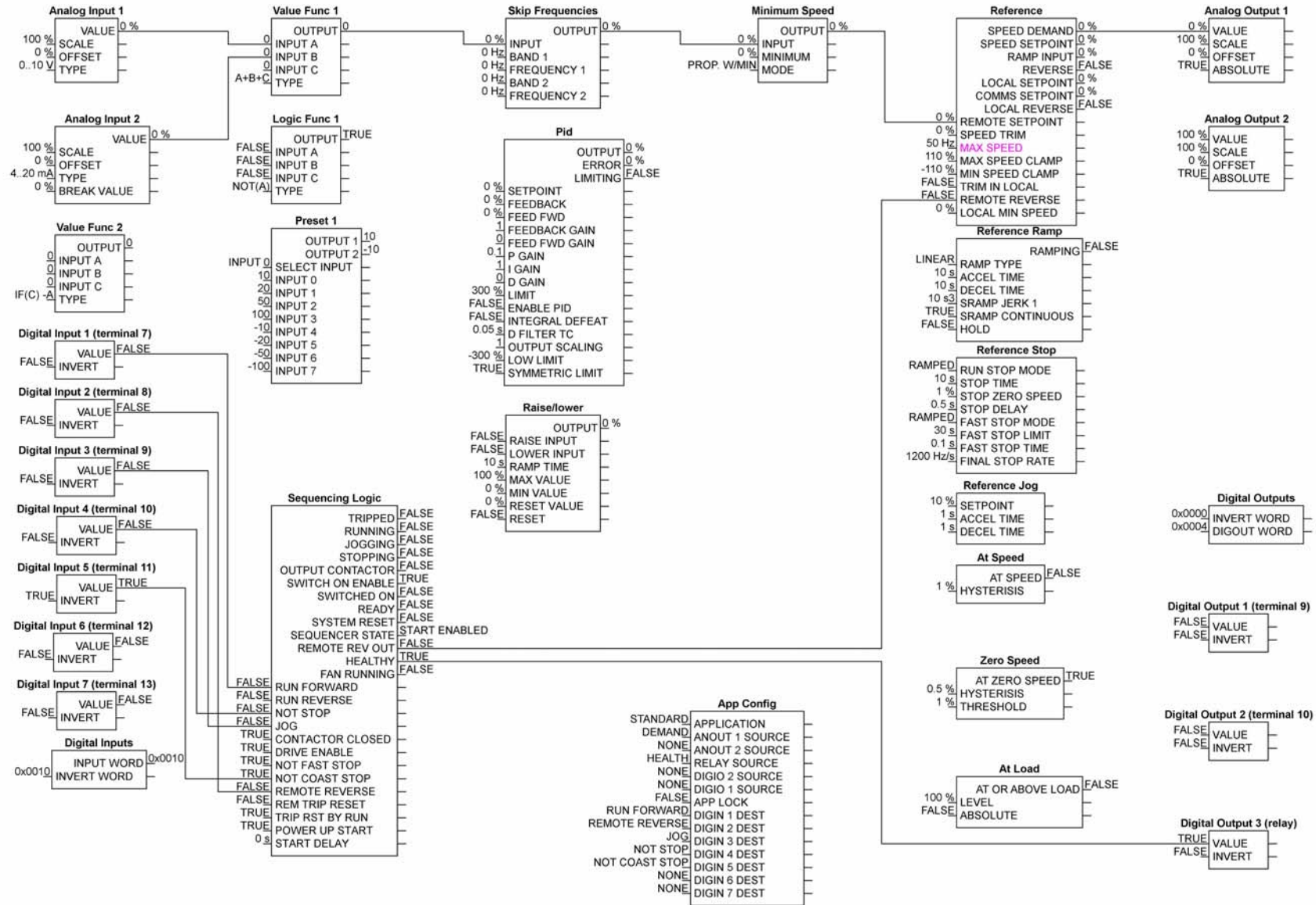
Press the **E** key to load the Application.

Application Description

Note: Parameters whose default values are product-related are indicated in the block diagrams with * or **. Refer to Chapter 2: "Parameter Specification" - Product-Related Default Values.

5-2 Applications

This manual was downloaded on www.sdsdrives.com
 +44 (0)117 938 1800 - info@sdsdrives.com



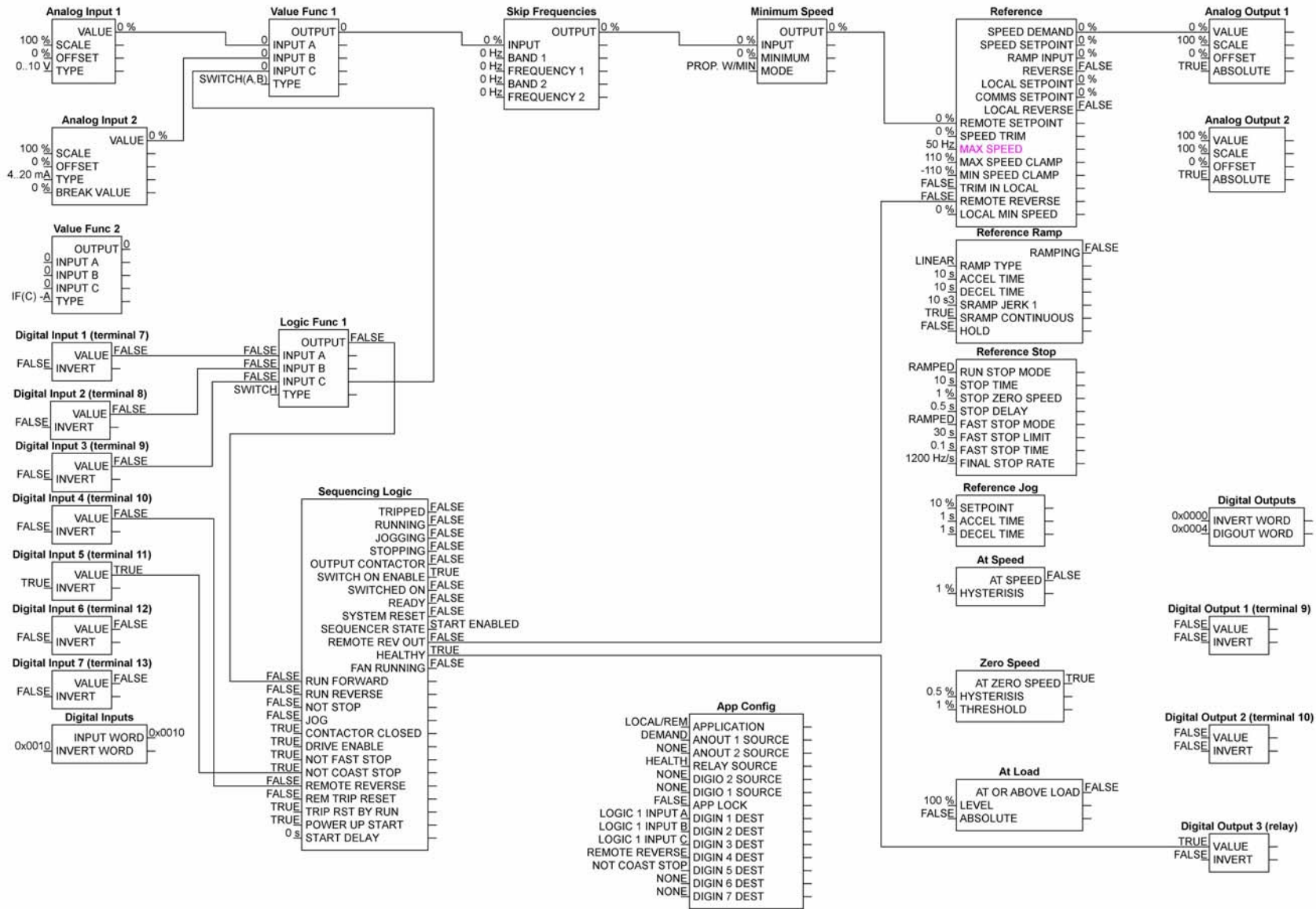
Application 1: Basic Speed Control, (default)

Application 1: Basic Speed Control (default)

This Application is ideal for general purpose applications. It provides push-button or switched start/stop control. The setpoint is the sum of the two analogue inputs AIN1 and AIN2, providing Speed Setpoint + Speed Trim capability

Control Wiring I/O			
Terminal	Name	Purpose	Comment
13	DIGITAL INPUT 7	<i>Not configured</i>	<i>Not Used</i>
12	DIGITAL INPUT 6	<i>Not configured</i>	<i>Not Used</i>
11	DIGITAL INPUT 5	Not Coast Stop (inverted)	24V = coast to stop 0V = drive may run
10	DIGITAL INPUT 4	Not Stop	24V = RUN FWD and RUN REV signals latched 0V = RUN FWD and RUN REV signals not latched
9	DIGITAL INPUT 3	Jog	24V = jog
8	DIGITAL INPUT 2	Direction	0V = remote forward 24V = remote reverse
7	DIGITAL INPUT 1	Run Forward	24V = run forward
6		24v	
5	ANALOG OUTPUT 1	Ramp Output	absolute speed demand 0V = 0%, 10V = 100%
4	ANALOG OUTPUT 2	10v ref	
3	ANALOG INPUT 2	Speed Trim	4mA = 0%, 20mA = 100%
2	ANALOG INPUT 1	Speed Setpoint	0V = 0%, 10V = 100%
1		0v	

5-4 Applications



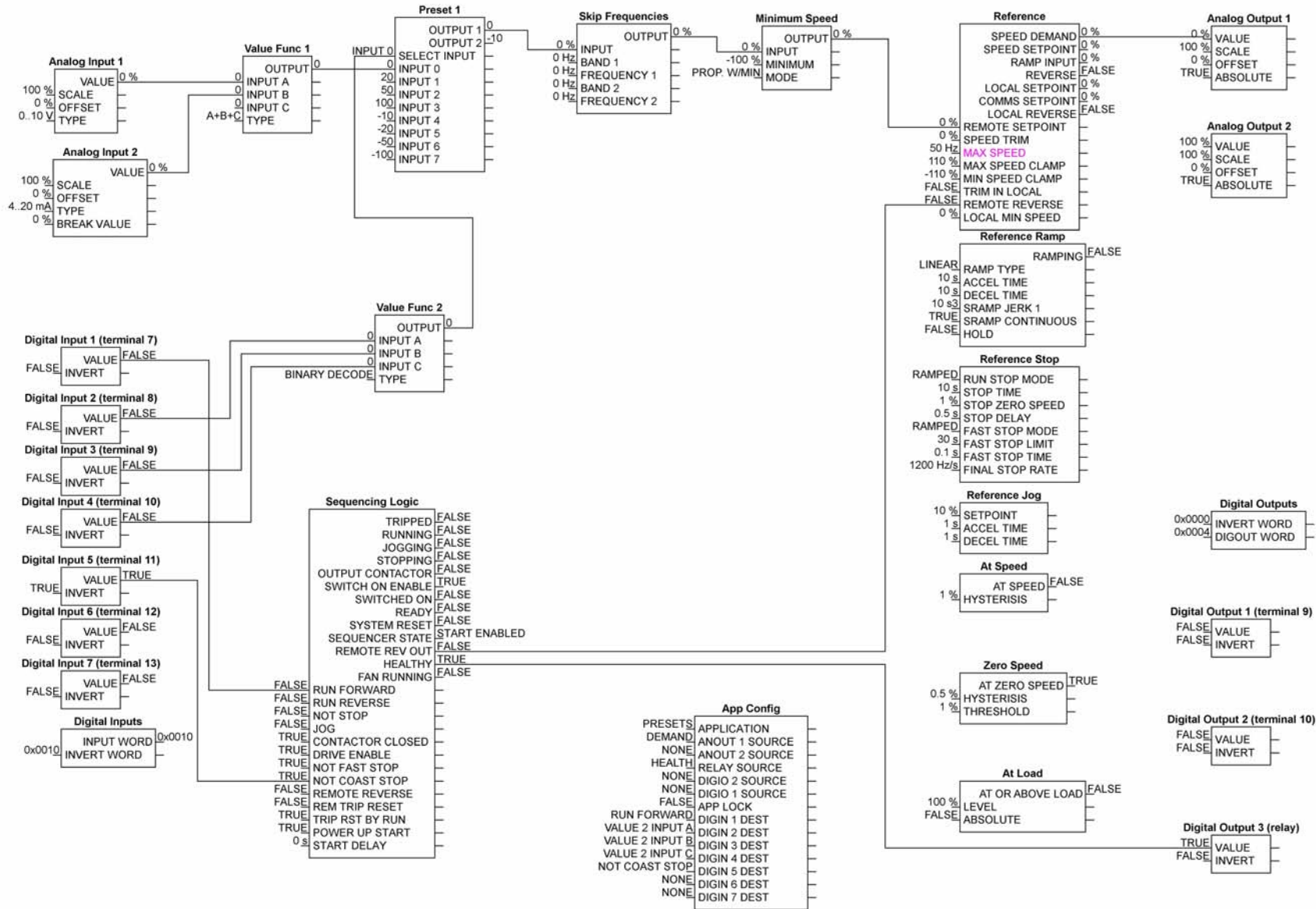
Application 2: Auto / Manual Control

Application 2: Auto/Manual

Two Run inputs and two Setpoint inputs are provided. The Auto/Manual switch selects which pair of inputs is active. The Application is sometimes referred to as Local/Remote.

Control Wiring I/O			
Terminal	Name	Purpose	Comment
13	DIGITAL INPUT 7	<i>Not configured</i>	<i>Not Used</i>
12	DIGITAL INPUT 6	<i>Not configured</i>	<i>Not Used</i>
11	DIGITAL INPUT 5	Not Coast Stop (inverted)	24V = coast to stop 0V = drive may run
10	DIGITAL INPUT 4	Remote Reverse	0V = remote forward 24V = remote reverse
9	DIGITAL INPUT 3	Select	0V = Manual 24V = Auto
8	DIGITAL INPUT 2	Auto Run	24V = run forward
7	DIGITAL INPUT 1	Manual Run	24V = run forward
6		24V	
5	ANALOG OUTPUT 1	Ramp Output	absolute speed demand 0V = 0%, 10V = 100%
4	ANALOG OUTPUT 2	10v ref	
3	ANALOG INPUT 2	Auto Setpoint	4mA = 0%, 20mA = 100%
2	ANALOG INPUT 1	Manual Setpoint	0V = 0%, 10V = 100%
1		0V	
RL1A RL1B	DIGITAL OUTPUT 3 (relay)	HEALTH	Open = tripped, i.e. not healthy

5-6 Applications



Application 3: Preset Speeds

Application 3: Preset Speeds

This is ideal for applications requiring multiple discrete speed levels.

The setpoint is selected from either the sum of the analogue inputs, (as in Application 1 and known here as PRESET 0), or as one of up to seven other pre-defined speed levels. These are selected using DIN2, DIN3 and DIN4, refer to the Truth Table below. Edit parameters AP02 to AP08 on the keypad to re-define the speed levels of PRESET 1 to PRESET 7. Reverse direction is achieved by entering a negative speed setpoint.

Control Wiring I/O			
Terminal	Name	Purpose	Comment
13	DIGITAL INPUT 7	<i>Not configured</i>	<i>Not Used</i>
12	DIGITAL INPUT 6	<i>Not configured</i>	<i>Not Used</i>
11	DIGITAL INPUT 5	Not Coast Stop (inverted)	24V = coast to stop 0V = drive may run
10	DIGITAL INPUT 4	Preset Select 3	Preset Speed Select
9	DIGITAL INPUT 3	Preset Select 2	Preset Speed Select
8	DIGITAL INPUT 2	Preset Select 1	Preset Speed Select
7	DIGITAL INPUT 1	Run Forward	24V = run forward
6		24V	
5	ANALOG OUTPUT 1	Ramp Output	absolute speed demand 0V = 0%, 10V = 100%
4	ANALOG OUTPUT 2	10V ref	
3	ANALOG INPUT 2	Speed Trim	4mA = 0%, 20mA = 100%
2	ANALOG INPUT 1	Speed Setpoint	0V = 0%, 10V = 100%
1		0V	
RL1A RL1B	DIGITAL OUTPUT 3 (relay)	HEALTH	Open = tripped, i.e. not healthy

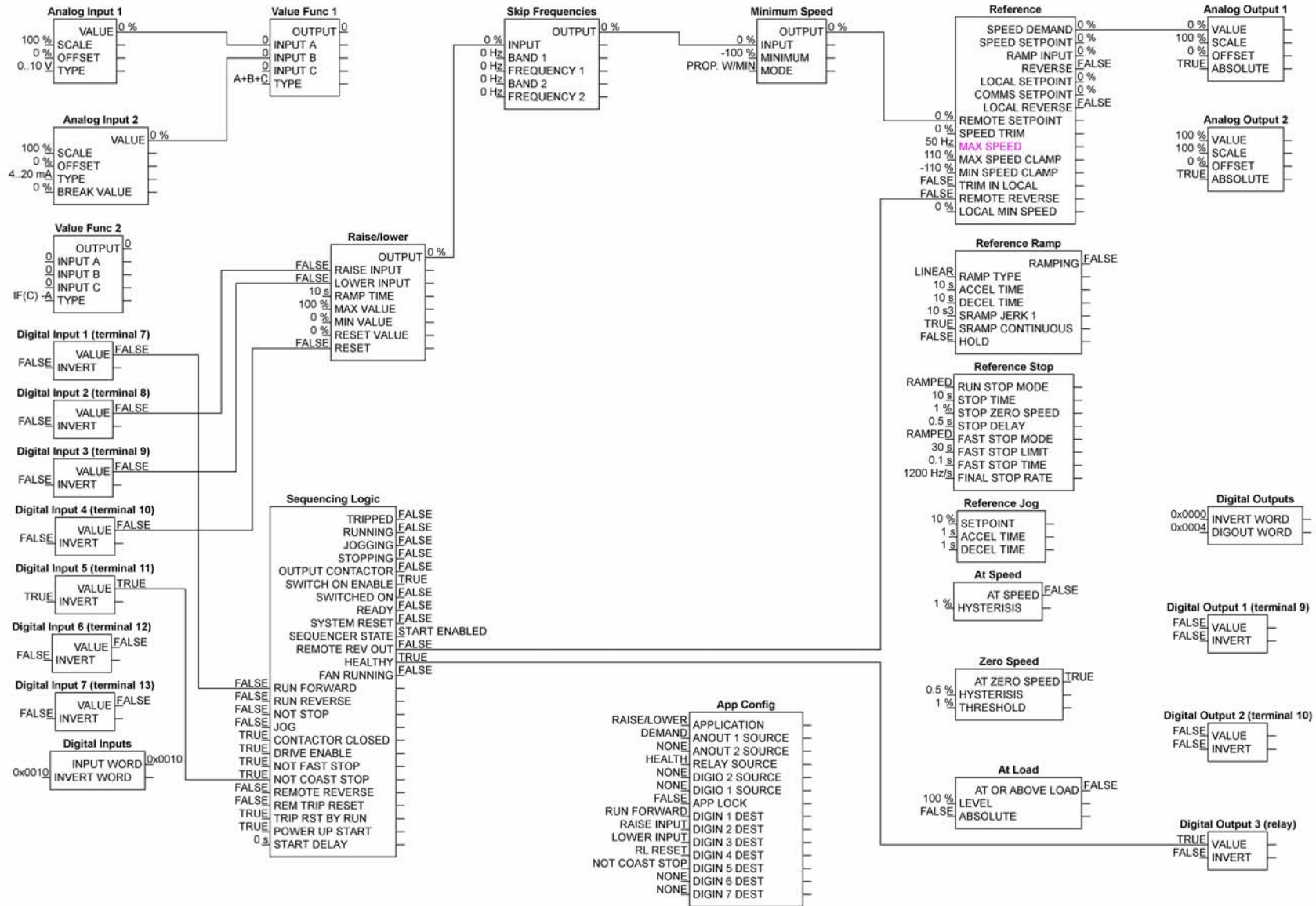
Preset Speed Truth Table

DIN4/DOU2	DIN3	DIN2	Preset
0V	0V	0V	0
0V	0V	24V	1
0V	24V	0V	2
0V	24V	24V	3
24V	0V	0V	4
24V	0V	24V	5
24V	24V	0V	6
24V	24V	24V	7

Application Menu Parameters

AP01	PRESET SPEED 0, (ANIN1 + ANIN2)
AP02	PRESET SPEED 1
AP03	PRESET SPEED 2
AP04	PRESET SPEED 3
AP05	PRESET SPEED 4
AP06	PRESET SPEED 5
AP07	PRESET SPEED 6
AP08	PRESET SPEED 7

5-8 Applications



Application 4: Raise/Lower Trim

Application 4: Raise/Lower Trim

This Application mimics the operation of a motorised potentiometer. Digital inputs allow the setpoint to be increased and decreased between limits. The limits and ramp rate can be set using the keypad.

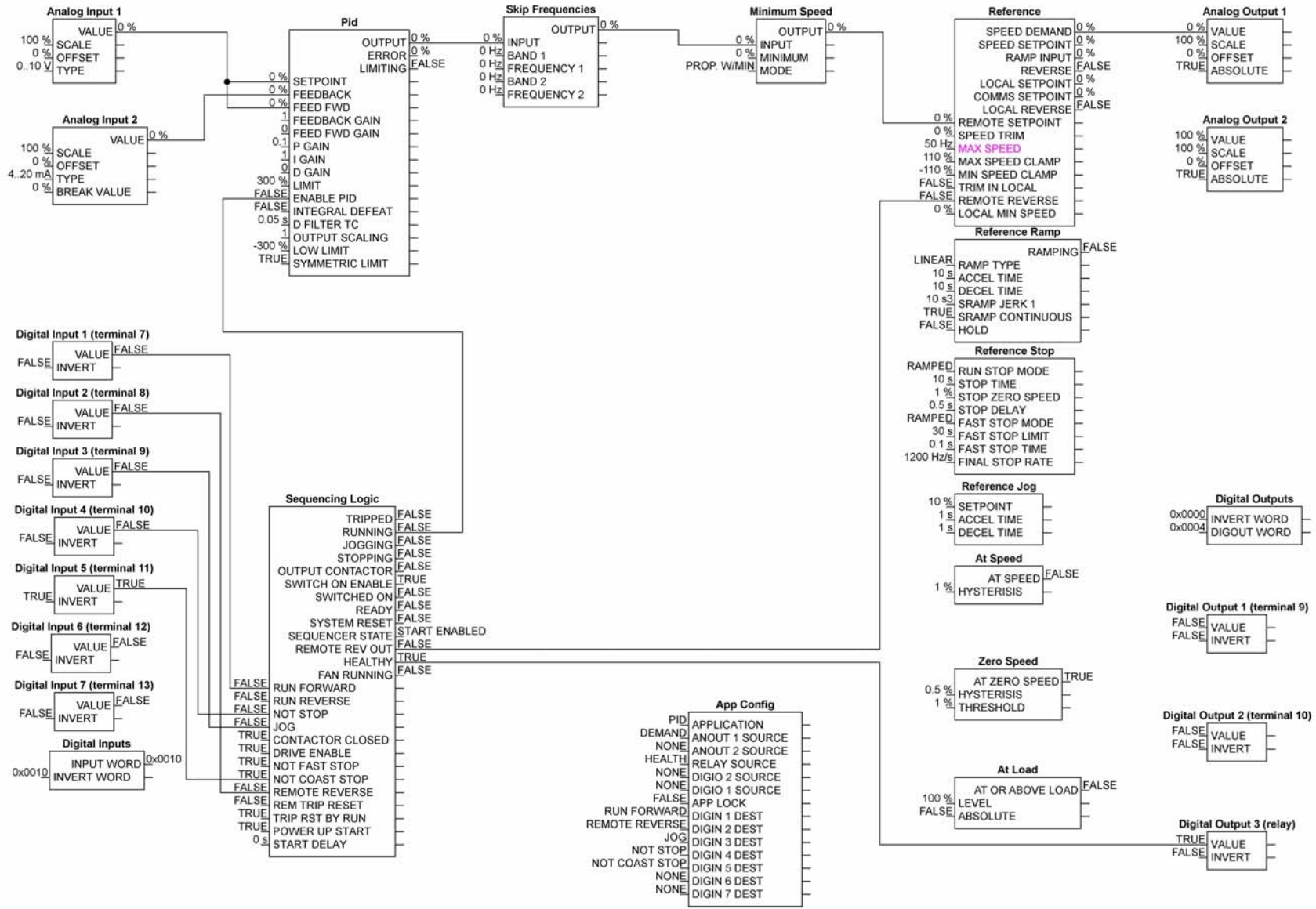
The Application is sometimes referred to as Motorised Potentiometer.

Control Wiring I/O			
Terminal	Name	Purpose	Comment
13	DIGITAL INPUT 7	<i>Not configured</i>	<i>Not Used</i>
12	DIGITAL INPUT 6	<i>Not configured</i>	<i>Not Used</i>
11	DIGITAL INPUT 5	Not Coast Stop (inverted)	24V = coast to stop 0V = drive may run
10	DIGITAL INPUT 4	Reset	24V = Reset Raise/Lower
9	DIGITAL INPUT 3	Lower input	24V = Lower
8	DIGITAL INPUT 2	Raise input	24V = Raise
7	DIGITAL INPUT 1	Run Forward	24V = run forward
6		24V	
5	ANALOG OUTPUT 1	Ramp Output	absolute speed demand 0V = 0%, 10V = 100%
4	ANALOG OUTPUT 2	10V ref	
3	ANALOG INPUT 2		
2	ANALOG INPUT 1		
1		0V	
RL1A RL1B	DIGITAL OUTPUT 3 (relay)	HEALTH	Open = tripped, i.e. not healthy

Application Menu Parameters

AP01	RAISE/LOWER RAMP RATE
AP02	RAISE/LOWER MAX VALUE
AP03	RAISE/LOWER MIN VALUE
AP04	RAISE/LOWER RESET VALUE

5-10 Applications



Application 5: PID

Application 5: PID

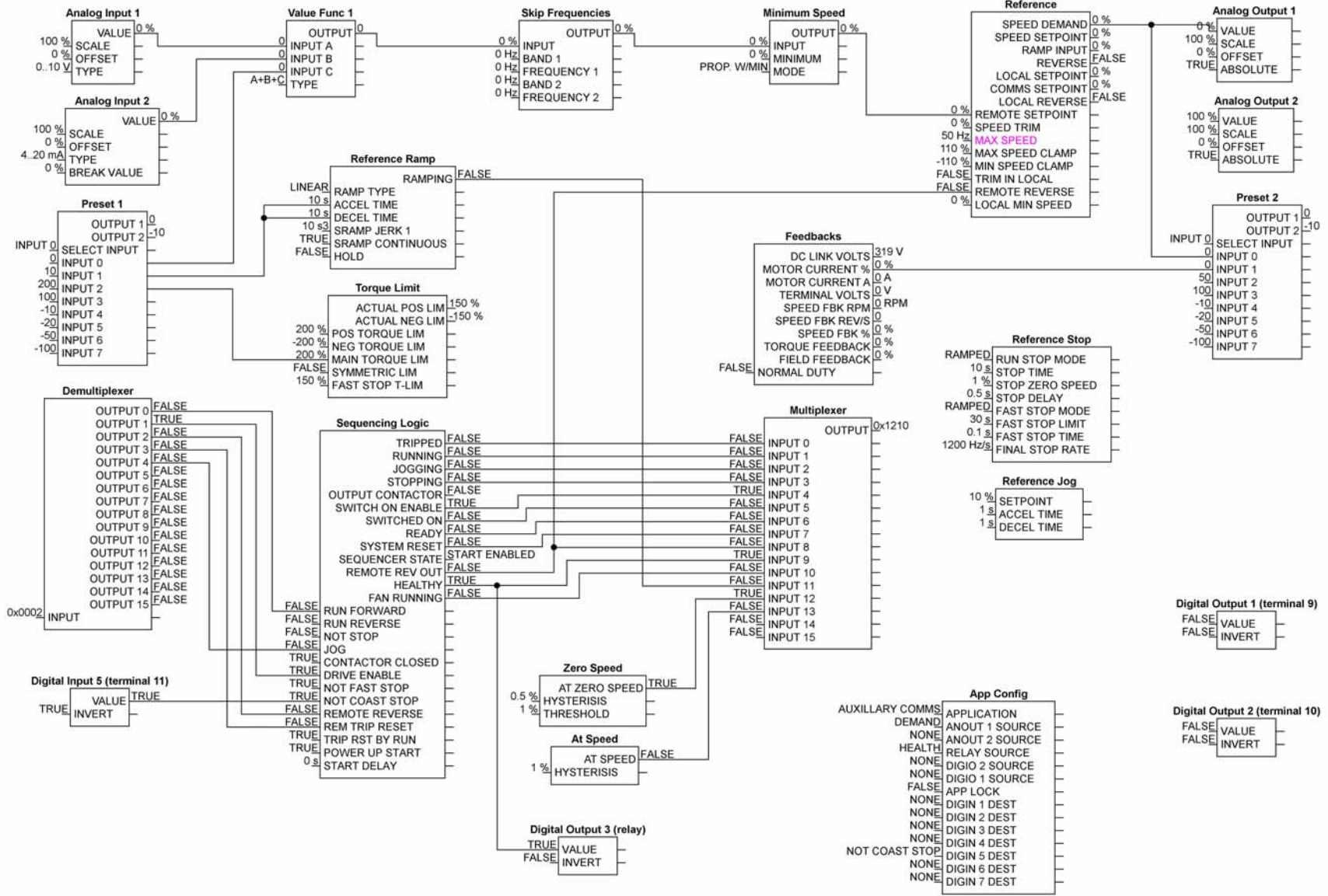
A simple application using a Proportional-Integral-Derivative 3-term controller. The setpoint is taken from AIN1, with feedback signal from the process on AIN2. The scale and offset features of the analogue input blocks may be used to correctly scale these signals. The difference between these two signals is taken as the PID error. The output of the PID block is then used as the drive setpoint.

Control Wiring I/O			
Terminal	Name	Purpose	Comment
13	DIGITAL INPUT 7	<i>Not configured</i>	<i>Not Used</i>
12	DIGITAL INPUT 6	<i>Not configured</i>	<i>Not Used</i>
11	DIGITAL INPUT 5	Not Coast Stop (inverted)	24V = coast to stop 0V = drive may run
10	DIGITAL INPUT 4	Not Stop	24V = RUN FWD and RUN REV signals latched 0V = RUN FWD and RUN REV signals not latched
9	DIGITAL INPUT 3	Jog	24V = Jog
8	DIGITAL INPUT 2	Remote Reverse	24V = Reverse
7	DIGITAL INPUT 1	Run Forward	24V = run forward
6		24V	
5	ANALOG OUTPUT 1	Ramp Output	absolute speed demand 0V = 0%, 10V = 100%
4	ANALOG OUTPUT 2	10V ref	
3	ANALOG INPUT 2	Process feedback	0V = 0%, 10V = 100%
2	ANALOG INPUT 1	Process Setpoint	0V = 0%, 10V = 100%
1		0V	
RL1A RL1B	DIGITAL OUTPUT 3 (relay)	HEALTH	Open = tripped, i.e. not healthy

Application Menu Parameters

AP01	P gain
AP02	I gain
AP03	D gain
AP04	D filter TC
AP05	Feedback gain
AP06	Limit
AP07	Low limit
AP08	Symmetric limit
AP09	Output scaling
AP10	Error
AP11	Output

5-12 Applications



Application 6: Aux Comms

Application 6: Aux Comms

This application provides a method of controlling the drive from a communications master, without using the Communications Control mode. The drive is configured in the remote terminal mode, but the signals to the setpoint and sequencing logic are taken from parameters that may be written to in a compact way from a communications master.

The drive sequencing is controlled tag 599, (Demultiplexer input).

The drive status may be read from tag 598, (Multiplexer output).

The drive setpoint may be set from tag 347, (Preset speeds 1, input 0). This is added to analog input 1 and analog input 2. Tie these inputs to 0 if no speed trim is required.

Control Wiring I/O			
Terminal	Name	Purpose	Comment
13	DIGITAL INPUT 7	<i>Not configured</i>	<i>Not Used</i>
12	DIGITAL INPUT 6	<i>Not configured</i>	<i>Not Used</i>
11	DIGITAL INPUT 5	Not Coast Stop (inverted)	24V = coast to stop 0V = drive may run
10	DIGITAL INPUT 4	<i>Not configured</i>	<i>Not Used</i>
9	DIGITAL INPUT 3	<i>Not configured</i>	<i>Not Used</i>
8	DIGITAL INPUT 2	<i>Not configured</i>	<i>Not Used</i>
7	DIGITAL INPUT 1	<i>Not configured</i>	<i>Not Used</i>
6		24V	
5	ANALOG OUTPUT 1	Ramp Output	absolute speed demand 0V = 0%, 10V = 100%
4	ANALOG OUTPUT 2	10V ref	
3	ANALOG INPUT 2	Speed Trim 2	0V = 0%, 10V = 100%
2	ANALOG INPUT 1	Speed Trim 1	0V = 0%, 10V = 100%
1		0V	
RL1A RL1B	DIGITAL OUTPUT 3 (relay)	HEALTH	Open = tripped, i.e. not healthy

Application Menu Parameters

AP01	Demux input, (Command word)
AP02	Preset 0 input 0, (Setpoint)
AP03	Mux output, (Status word)

Command word, (Tag 599)

	Command word
Bit 4	Jog
Bit 3	Trip reset
Bit 2	Reverse
Bit 1	Enable
Bit 0	Run forward

Status word, (Tag 598)

	Status word
Bit 13	At speed
Bit 12	Zero speed
Bit 11	Ramping
Bit 10	Fan running
Bit 9	Healthy
Bit 8	Reversed
Bit 7	System reset
Bit 6	Ready
Bit 5	Switched on
Bit 4	Switch on enabled
Bit 3	Stopping
Bit 2	Jogging
Bit 1	Running
Bit 0	Tripped